

CLAMPS



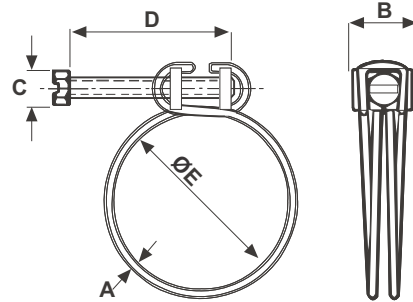
WIRE CLAMPS..... Pg. 20
WORM DRIVE CLAMPS Pg. 21
STEEL BOLTED CLAMPS Pg. 22



WIRE CLAMPS



**One will require the pipes
outside diameter to select
clamp size**



The rings & components are zinc electroplated to S.A.B.S. 814, 1974

CODE	SIZE - ØE(mm) (MIN x MAX)	FASTENER SIZE	A	B	C	D	BOX QTY	PRICE/EACH
WB10-12	10.5mm x 12mm	M3	1.5	11.0	5.5	25.0	10	R6.63
WB12-13	12mm x 13mm	M3	1.5	11.0	5.5	25.0	10	R6.54
WB13-14	13mm x 14mm	M3	1.5	11.0	5.5	25.0	10	R6.57
WB14-15	14mm x 15mm	M3	1.5	11.0	5.5	25.0	10	R6.57
WB15-16	15mm x 16mm	M3	1.8	11.0	5.5	25.0	10	R6.60
WB16-17	16mm x 17mm	M3	1.8	11.0	5.5	25.0	10	R6.60
WB17-18	17mm x 18mm	M3	1.8	11.0	5.5	25.0	10	R6.60
WB18-19	18mm x 19mm	M3	1.8	11.0	5.5	25.0	10	R6.63
WB19-20	19mm x 20mm	M3	1.8	11.0	5.5	25.0	10	R6.63
WB20-21	20mm x 21mm	M3	1.8	11.0	5.5	25.0	10	R6.63
WB21-22	21mm x 22mm	M4	2.0	14.0	7.0	30.0	10	R6.75
WB22-23	22mm x 23mm	M4	2.0	14.0	7.0	30.0	10	R6.79
WB23-25	23mm x 25mm	M4	2.2	14.0	7.0	30.0	10	R6.82
WB25-27	25mm x 27mm	M4	2.2	14.0	7.0	30.0	10	R6.88
WB26-29	26mm x 29mm	M4	2.2	14.0	7.0	30.0	10	R7.28
WB28-31	28mm x 31mm	M4	2.2	14.0	7.0	30.0	10	R7.38
WB30-33	30mm x 33mm	M4	2.2	14.0	7.0	30.0	10	R7.41
WB32-35	32mm x 35mm	M4	2.2	14.0	7.0	30.0	10	R7.44
WB34-37	34mm x 37mm	M4	2.2	14.0	7.0	30.0	10	R7.56
WB36-40	36mm x 40mm	M4	2.2	14.0	7.0	30.0	10	R7.60
WB39-43	39mm x 43mm	M4	2.2	14.0	7.0	30.0	10	R9.37
WB42-46	42mm x 46mm	M5	2.5	15.0	8.0	40.0	10	R9.40
WB45-49	45mm x 49mm	M5	2.5	15.0	8.0	40.0	10	R12.64
WB46-51	46mm x 51mm	M5	2.5	15.0	8.0	40.0	10	R12.70
WB48-53	48mm x 53mm	M5	2.5	15.0	8.0	40.0	10	R13.45
WB52-56	52mm x 56mm	M5	2.5	15.0	8.0	40.0	10	R14.82
WB55-60	55mm x 60mm	M5	2.5	15.0	8.0	40.0	10	R15.22
WB59-64	59mm x 64mm	M5	2.5	15.0	8.0	40.0	10	R22.00
WB70-75	70mm x 75mm	M5	2.5	15.0	8.0	40.0	10	R22.97
WB95-100	95mm x 100mm	M5	2.5	15.0	8.0	40.0	10	R24.56

PLEASE NOTE :
Only BOX QUANTITIES
will be invoiced (10 per box)
Price is per unit and not per pack

OYA CLAMPS



**COMPOSITE CLAMP
 WITH 203 SS BAND**

Bandwidth: 12.5mm
Band Thickness: 0.7mm
Material: 203 Stainless Steel
Screw / Housing: Zinc Plated

CODE	SIZE	BOX QTY	PRICE/EACH
CLAMP-G2	8mm - 12mm	10	R3.16
CLAMP-G4	7mm - 17mm	10	R3.36
CLAMP-G6	10mm - 22mm	10	R3.53
CLAMP-G8	14mm - 27mm	10	R6.28
CLAMP-G12	14mm - 32mm	10	R6.51
CLAMP-G16	17mm - 38mm	10	R6.86
CLAMP-G20	19mm - 44mm	10	R7.52
CLAMP-G24	25mm - 51mm	10	R7.75
CLAMP-G28	32mm - 57mm	10	R8.52
CLAMP-G32	38mm - 63mm	10	R8.81
CLAMP-G36	44mm - 70mm	10	R9.07
CLAMP-G40	51mm - 76mm	10	R9.47
CLAMP-G44	57mm - 82mm	10	R10.30
CLAMP-G48	63mm - 89mm	10	R10.56
CLAMP-G52	71mm - 95mm	10	R10.82
CLAMP-G56	78mm - 102mm	10	R11.42
CLAMP-G72	105mm - 127mm	10	R12.82

**FULL STAINLESS STEEL
 CLAMP WITH 301 SS BAND**

Bandwidth: 12.5mm
Band Thickness: 0.7mm
Material: 301 Stainless Steel
Screw / Housing: 301 Stainless steel

CODE	SIZE	BOX QTY	PRICE/EACH
CLAMP-G4SS	7-17mm	10	R5.14
CLAMP-G6SS	10-22mm	10	R10.50
CLAMP-G8SS	14-27mm	10	R10.93
CLAMP-G12SS	14-32mm	10	R11.36
CLAMP-G16SS	17-38mm	10	R11.68
CLAMP-G20SS	19-44mm	10	R12.59
CLAMP-G24SS	25-51mm	10	R13.14
CLAMP-G28SS	32-57mm	10	R14.06
CLAMP-G32SS	38-63mm	10	R14.60
CLAMP-G36SS	44-70mm	10	R14.95
CLAMP-G40SS	51-76mm	10	R15.43
CLAMP-G44SS	57-82mm	10	R16.53
CLAMP-G48SS	63-89mm	10	R16.98



**MILD CARBON STEEL
BOLTED CLAMPS
(ZINC ELECTRO PLATED)**



CLAMPS



A SERIES

Light Duty Clamps
19mm x 1.0mm Band
6mm set screw and nut

CODE	PRICE
CLAMP-A23-27	R13.48
CLAMP-A26-29	R13.82
CLAMP-A29-34	R15.03
CLAMP-A33-38	R15.78
CLAMP-A37-42	R15.81
CLAMP-A41-46	R15.84
CLAMP-A45-50	R15.88
CLAMP-A49-55	R15.91
CLAMP-A54-61	R15.94
CLAMP-A60-67	R17.65
CLAMP-A65-72	R17.68
CLAMP-A71-78	R18.33
CLAMP-A77-84	R18.86
CLAMP-A82-89	R19.02
CLAMP-A88-95	R20.05

B SERIES

Medium Duty Clamps
25mm x 1.0mm Band
8mm set screw and nut

CODE	PRICE
CLAMP-B30-34	R18.68
CLAMP-B34-38	R18.86
CLAMP-B37-41	R19.30
CLAMP-B40-45	R19.36
CLAMP-B43-48	R19.70
CLAMP-B46-52	R20.05
CLAMP-B48-54	R21.10
CLAMP-B54-62	R23.16
CLAMP-B58-66	R23.53
CLAMP-B62-70	R28.36
CLAMP-B66-74	R28.89
CLAMP-B70-78	R29.04
CLAMP-B74-82	R29.23
CLAMP-B78-86	R29.38
CLAMP-B82-90	R30.94
CLAMP-B86-94	R31.13
CLAMP-B90-98	R32.16
CLAMP-B94-102	R32.16
CLAMP-B102-110	R33.21
CLAMP-B110-118	R35.27
CLAMP-B118-126	R35.98

C SERIES

Heavy Duty Clamps
32mm x 1.6mm Band
12mm set screw and nut

CODE	PRICE
CLAMP-C82-96	R55.69
CLAMP-C88-102	R56.71
CLAMP-C94-108	R59.14
CLAMP-C106-120	R59.49
CLAMP-C112-126	R60.51
CLAMP-C118-132	R61.23
CLAMP-C130-144	R61.91
CLAMP-C142-156	R65.37
CLAMP-C154-168	R66.40
CLAMP-C160-174	R67.11
CLAMP-C166-180	R67.27
CLAMP-C178-192	R69.17
CLAMP-C190-204	R70.91
CLAMP-C202-216	R74.71
CLAMP-C214-228	R78.16
CLAMP-C226-240	R79.56
CLAMP-C238-252	R83.00
CLAMP-C250-264	R86.47

