

SOLVENT WELD

(uPVC VALVES & FITTINGS)



BAILEY CEMENT & CLEANER Pg. 152
uPVC VALVES & FITTINGS Pg. 153 - 161



Bailey®

PVC SOLVENT CEMENTS AND CLEANER FOR PVC PIPE & FITTINGS

Bailey PVC solvent products are manufactured in a brand new, modern facility to the highest international standards by the biggest plastic pipe cement manufacturer in China. It is the only Asia Pacific brand having USA NSF14 / NSF61 listing for PVC/CPVC/ABS pipe cements & primers.

Production is carefully evaluated to ensure that a consistent high quality is maintained. Gas chromatography, moisture analysis and additional in depth testing ensures each batch is manufactured to exacting standards. A batch identification code is printed on each tin and assures traceability of all materials and processes used in manufacturing.

Bailey® L-5023

HIGH PRESSURE – INDUSTRIAL GRADE

Clear – Heavy bodied, excellent gap filling properties

- Domestic and Industrial PVC piping systems including drinking water, irrigation, pool and spa, waste water and drainage water, ventilation systems.
- Suitable for Class 4 through Class 25 PVC Pipe up to 300mm in diameter (non-pressure application up to 450mm).

L-5023 Low VOC PVC Solvent Cement meets both the **ASTM International D-2564** and the USA National Sanitation Foundation (NSF), **NSF/ANSI 61** drinking water health standard.

TIN SIZE	CODE	DESCRIPTION	PRICE
118ml – 48 per carton	TAN-BAILEY118	118ml PVC High Pressure	R45.00
237ml – 24 per carton	TAN-BAILEY237	237ml PVC High Pressure	R74.00
473ml – 12 per carton	TAN-BAILEY473	473ml PVC High Pressure	R130.00
946ml – 12 per carton	TAN-BAILEY946	946ml PVC High Pressure	R250.00
SHELF LIFE			
3 years in tightly sealed container			



Bailey® L-6453

HIGH PRESSURE – FAST CURING

Blue – Medium bodied, extremely fast setting/cementing

- Ideal for use where working conditions are wet/high humidity and /or quick pressurisation is required.
- Domestic and Industrial PVC piping systems including drinking water, irrigation, pool and spa, suitable for Class 4 through Class 25 PVC Pipe up to 300mm in diameter.

L-6453 Low VOC PVC Solvent Cement meets both the **ASTM International D-2564** and the USA National Sanitation Foundation (NSF), **NSF/ANSI 61** drinking water health standard.

TIN SIZE	CODE	DESCRIPTION	PRICE
237ml – 24 per carton	TAN-BAILEY237 BLUE	237ml Bailey Blue Quick Set High Pressure	R74.00
473ml – 12 per carton	TAN-BAILEY473 BLUE	473ml Bailey Blue Quick Set High Pressure	R130.00
SHELF LIFE			
3 years in tightly sealed container			



Bailey® C-1020

PVC/CPVC/ABS PIPE AND FITTINGS CLEANER

Clear – Water Thin

- ➔ Effectively removes surface dirt, grease and grime from the bonding surface of PVC/CPVC/ABS pipes and fittings.
- ➔ Helps to soften PVC pipe and fittings.



TIN SIZE	CODE	DESCRIPTION	PRICE
473ml – 12 per carton	TAN-CLN-473	473ml Bailey Cleaner	R93,00

Bailey® 3061

LOW PRESSURE

Clear – Medium Bodied

- ➔ PVC piping systems for waste water, drainage and ventilation systems as well as electrical and communication PVC conduit.
- ➔ Suitable for Class 4 through Class 12 PVC Pipe up to 150mm in diameter.



TIN SIZE	CODE	DESCRIPTION	PRICE
100ml/125g – 48 per carton	TAN-BAILEY100L	100ml Bailey Low Pressure (48 box qty)	R22,50
200ml/250g – 24 per carton	TAN-BAILEY200L	200ml Bailey Low Pressure (24 box qty)	R32,50
400ml/500g – 12 per carton	TAN-BAILEY400L	400ml Bailey Low Pressure (12 box qty)	R54,00

SHELF LIFE

2 years in tightly sealed container

Each tin has a size appropriate daub/ applicator attached to the lid that makes the use/ application of the solvent easy and consistent.



ASTM International D-2564:

The ASTM D-2564 covers requirements for PVC solvent cements used in PVC piping systems.

Key requirements of this standard are:

- Lap Shear Strength – 62 Bar after 72 hours curing time.
- Hydrostatic Burst Strength – 27 Bar after 2 hour curing time.
- Resin Content
- Dissolution
- Viscosity



Low VOC:

VOC – Volatile Organic Compounds, less than 510 grams per litre. Ideal for use in Green Building construction.

Shelf Life & Storage:

The date code of manufacturing is printed on the bottom of each tin. Evaporation of solvent will cause the cement to thicken and reduce its effectiveness. Adding of thinners/solvents to change viscosity is not recommended and may significantly change the properties of the cement. Store between 5°C and 44°C.

TOMMY

THREADED ONE PIECE COMPACT BALL VALVE



" Inches is thread and mm
is Glue On "

Working Pressure 10 Bar

CODE	BSP	SIZE	BOX QTY	PRICE
SWBV015BSP	1/2 "	15mm	300	R11.10
SWBV020BSP	3/4 "	20mm	190	R16.86
SWBV025BSP	1 "	25mm	100	R28.75
SWBV032BSP	1 1/4 "	32mm	70	R38.38
SWBV040BSP	1 1/2 "	40mm	50	R54.00
SWBV050BSP	2 "	50mm	30	R84.28
SWBV065BSP	2 1/2 "	65mm	12	R204.45
SWBV080BSP	3 "	80mm	8	R341.87
SWBV100BSP	4 "	100mm	6	R636.43

SOCKETED ONE PIECE COMPACT BALL VALVE



Working Pressure 10 Bar

CODE	SIZE	BOX QTY	PRICE
SWBV020GO	20mm	300	R11.10
SWBV025GO	25mm	190	R16.86
SWBV032GO	32mm	100	R28.75
SWBV040GO	40mm	70	R38.38
SWBV050GO	50mm	50	R54.00
SWBV063GO	63mm	30	R84.28
SWBV075GO	75mm	12	R204.45
SWBV090GO	90mm	8	R341.87
SWBV110GO	110mm	6	R636.43

THREADED SINGLE UNION BALL VALVE



Working Pressure 10 Bar

CODE	BSP	SIZE	BOX QTY	PRICE
SWSUBV015T	1/2 "	15mm	168	R24.77
SWSUBV020T	3/4 "	20mm	105	R40.63
SWSUBV025T	1 "	25mm	84	R58.49
SWSUBV032T	1 1/4 "	32mm	30	R86.68
SWSUBV040T	1 1/2 "	40mm	32	R128.90
SWSUBV050T	2 "	50mm	12	R217.77
SWSUBV065T	2 1/2 "	65mm	6	R303.52
SWSUBV080T	3 "	80mm	2	R691.21
SWSUBV100T	4 "	100mm	2	R1 058.66

SOCKETED SINGLE UNION BALL VALVE



Working Pressure 10 Bar

CODE	SIZE	BOX QTY	PRICE
SWSUBV020G	20mm	168	R24.77
SWSUBV025G	25mm	105	R40.25
SWSUBV032G	32mm	84	R58.14
SWSUBV040G	40mm	30	R85.75
SWSUBV050G	50mm	40	R92.00
SWSUBV063G	63mm	12	R216.22
SWSUBV075G	75mm	6	R301.24
SWSUBV090G	90mm	2	R695.33
SWSUBV110G	110mm	2	R1 050.32

HANDLE FOR COMPACT BALL VALVE

(For Compact Ball Valve only)



NEW

CODE	SIZE	PRICE
SWBVH020	20mm	R2.55
SWBVH025	25mm	R3.37
SWBVH032	32mm	R4.39
SWBVH040	40mm	R7.67
SWBVH050	50mm	R9.34
SWBVH063	63mm	R14.55
SWBVH075	75mm	R32.85
SWBVH090	90mm	R47.98
SWBVH110	110mm	R50.35

TOMMY

THREADED DOUBLE UNION BALL VALVE



NEW

Working Pressure 10 Bar

CODE	BSP	SIZE	BOX QTY	PRICE
SWDUBV020T	3/4 "	20mm	84	R57.50
SWDUBV025T	1 "	25mm	36	R84.00
SWDUBV032T	1 1/4 "	32mm	30	R123.12
SWDUBV040T	1 1/2 "	40mm	24	R180.71
SWDUBV050T	2 "	50mm	12	R300.65
SWDUBV065T	2 1/2 "	65mm	6	R396.67
SWDUBV080T	3 "	80mm	2	R925.87
SWDUBV100T	4 "	100mm	2	R1 316.00

HIGH CAPACITY PLASTIC FLOAT VALVE



Working Pressure 1 - 6 Bar

CODE	SIZE	FLOW RATE	BOX QTY	PRICE
SWPFV015	15mm	3 L/S @ 6 BAR	100	R81.15
SWPFV020	20mm	4.2 L/S @ 6 BAR	100	R87.36
SWPFV025	25mm	5.3 L/S @ 6 BAR	80	R125.97
SWPFV032	32mm	5.5 L/S @ 6 BAR	70	R153.84
SWPFV040	40mm	10 L/S @ 6 BAR	65	R246.29
SWPFV050	50mm	10.5 L/S @ 6 BAR	65	R280.22
SWPFV065	65mm	12.5 L/S @ 6 BAR	50	R335.17



GLUE ON DOUBLE UNION BALL VALVE



NEW

Working Pressure 10 Bar

CODE	SIZE	BOX QTY	PRICE
SWDUBV025G	25mm	84	R56.94
SWDUBV032G	32mm	36	R83.32
SWDUBV040G	40mm	30	R123.13
SWDUBV050G	50mm	24	R179.57
SWDUBV063G	63mm	12	R300.00
SWDUBV075G	75mm	6	R396.67
SWDUBV090G	90mm	2	R274.68
SWDUBV110G	110mm	2	R1 460.14

ABS BROWN PLASTIC TAP



Outlet
Always 20mm

"size refers to inlet size only, outlet always 20mm"

CODE	SIZE	BOX QTY	PRICE
SWPBT015	15mm	240	R20.40
SWPBT020	20mm	240	R20.70

CROSS HANDLE TAP



Hose Tail
Always 15mm

CODE	SIZE	BOX QTY	PRICE
SWCHT015	15mm	240	R21.69
SWCHT020	20mm	240	R22.00

CONTAINER TAP SCREWED MALE

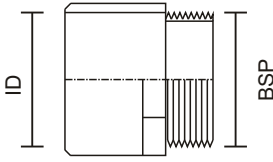


Hose Tail
Always 15mm

CODE	SIZE	BOX QTY	PRICE
SWCT015	15mm	240	R21.25
SWCT020	20mm	240	R22.00

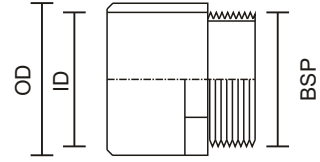
TOMMY

uPVC SOLVENT WELD MALE ADAPTOR



ID BSP

Codes read as follows : SWMA025020



OD ID BSP

Codes read as follows : SWMA025020015

DOUBLE SIZE			
CODE	SIZE	BOX QTY	PRICE
SWMA020015	20mm x 15mm	500	R2.52
SWMA020020	20mm x 20mm	480	R2.72
SWMA025020	25mm x 20mm	320	R3.75
SWMA025025	25mm x 25mm	280	R4.36
SWMA032025	32mm x 25mm	212	R6.44
SWMA032032	32mm x 32mm	180	R7.49
SWMA040032	40mm x 32mm	120	R10.28
SWMA040040	40mm x 40mm	120	R10.30
SWMA050040	50mm x 40mm	96	R14.61
SWMA050050	50mm x 50mm	72	R16.75
SWMA063050	63mm x 50mm	74	R24.47
SWMA075065	75mm x 65mm	45	R39.11
SWMA090080	90mm x 80mm	54	R66.19
SWMA110100	110mm x 100mm	24	R113.97

TRIPLE SIZE			
CODE	SIZE	BOX QTY	PRICE
SWMA025020015	25mm x 20mm x 15mm	500	R2.99
SWMA025020020	25mm x 20mm x 20mm	500	R3.22
SWMA032025025	32mm x 25mm x 25mm	300	R5.00
SWMA032025020	32mm x 25mm x 20mm	300	R4.57
SWMA040032025	40mm x 32mm x 25mm	240	R5.80
SWMA040032032	40mm x 32mm x 32mm	240	R8.32
SWMA050040025	50mm x 40mm x 25mm	140	R11.36
SWMA050040032	50mm x 40mm x 32mm	105	R12.38
SWMA050040040	50mm x 40mm x 40mm	105	R12.78
SWMA063050040	63mm x 50mm x 40mm	168	R18.91
SWMA063050050	63mm x 50mm x 50mm	126	R20.79
SWMA075063050	75mm x 63mm x 50mm	120	R27.23
SWMA090075050	90mm x 75mm x 50mm	84	R43.74
SWMA090075080	90mm x 75mm x 80mm	84	R52.87
SWMA110090080	110mm x 90mm x 80mm	54	R76.96
SWMA125110080	125mm x 110mm x 80mm	50	R96.34



uPVC SOLVENT WELD FEMALE ADAPTOR

(Plain / Threaded Socket)



CODE	SIZE	BOX QTY	PRICE
SWFA020015	20mm x 15mm	450	R2.69
SWFA025020	25mm x 20mm	300	R3.92
SWFA032025	32mm x 25mm	216	R6.26
SWFA040032	40mm x 32mm	133	R9.92
SWFA050040	50mm x 40mm	72	R16.48
SWFA063050	63mm x 50mm	105	R28.78
SWFA075065	75mm x 65mm	75	R40.40
SWFA090080	90mm x 80mm	22	R70.38
SWFA110100	110mm x 100mm	24	R108.64

TOMMY

uPVC SINGLE UNION THREADED CHECK VALVE

(Non Return)



"Inches is thread and mm is Glue on"

Working Pressure 10 Bar

CODE	SIZE	BOX QTY	PRICE
SWCV015T	1/2"	180	R17.80
SWCV020T	3/4"	90	R33.23
SWCV025T	1"	72	R48.92
SWCV032T	1 1/4"	40	R72.37
SWCV040T	1 1/2"	30	R83.58
SWCV050T	2"	24	R138.70

uPVC SINGLE UNION SOLVENT WELD CHECK VALVE

(Non Return)



Working Pressure 10 Bar

CODE	SIZE	BOX QTY	PRICE
SWCV020G	20mm	180	R17.68
SWCV025G	25mm	90	R33.14
SWCV032G	32mm	72	R48.71
SWCV040G	40mm	40	R72.00
SWCV050G	50mm	36	R96.69
SWCV063G	63mm	24	R136.13



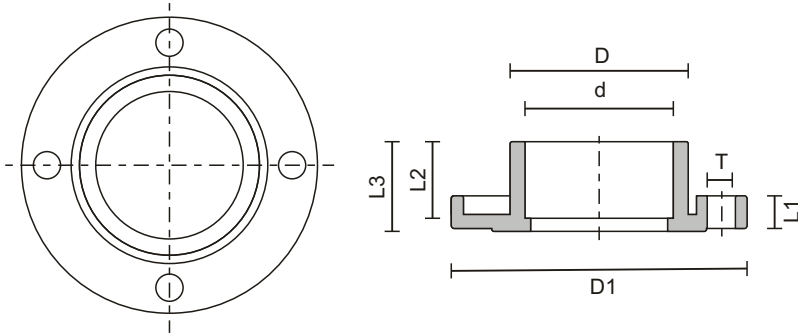
uPVC SOLVENT WELD UNION



CODE	SIZE	BOX QTY	PRICE
SWU020	20mm	288	R8.28
SWU025	25mm	240	R11.42
SWU032	32mm	123	R18.56
SWU040	40mm	72	R30.33
SWU050	50mm	45	R35.83
SWU063	63mm	24	R63.53
SWU075	75mm	16	R114.73
SWU090	90mm	12	R172.52
SWU110	110mm	8	R278.00

TOMMY

uPVC SOLVENT WELD FLANGED ADAPTOR



**IR Rings
on page 50**

CODE	SIZE	D	d	D1	L1	L2	L3	T	PRICE
SWA020FL	20mm	27mm	20.3mm	95mm	14mm	16mm	20.2mm	4X13.5	R17.44
SWA025FL	25mm	33mm	25.3mm	105mm	16mm	19mm	23.2mm	4X14	R25.45
SWA032FL	32mm	40mm	32.4mm	115mm	16mm	22mm	26.2mm	4X14	R29.92
SWA040FL	40mm	50mm	40.4mm	140mm	16mm	26mm	30.5mm	4X18	R38.13
SWA050FL	50mm	61mm	50.4mm	150mm	17.6mm	30.5mm	34.1mm	4X18	R54.14
SWA063FL	63mm	76mm	63.4mm	164.6mm	18mm	38.9mm	43mm	4X18	R70.81
SWA075FL	75mm	90mm	75.5mm	185mm	19.3mm	44mm	48mm	4X18	R99.78
SWA090FL	90mm	106.8mm	90.5mm	194.5mm	22.2mm	46.5mm	54mm	4X18	R136.91
SWA110FL	110mm	131mm	110.6mm	220mm	24mm	57.6mm	66.6mm	4X18	R206.96



uPVC SOLVENT WELD SERRATED STUB



**IR Rings
on page 50**

**Refer to page 53
for backing ring**

CODE	SIZE	BOX QTY	PRICE
SS075	75mm	80	R30.00
SS090	90mm	48	R46.52
SS110	110mm	36	R80.27
SS125	125mm	20	R130.57
SS160	160mm	18	R212.74
SS200	200mm	12	R440.32
SS250	250mm	4	R894.70
SS315	315mm	2	R1 216.25

WORKING PRESSURE
UP TO 110mm & 160mm - 16 BAR
125mm, 140mm, 200mm
& ABOVE - 10 BAR



uPVC SOLVENT WELD

TOMMY

uPVC SOLVENT WELD REDUCING BUSH



CODE	SIZE	BOX QTY	PRICE
SWRB025020	25mm x 20mm	1 300	R0.82
SWRB032020	32mm x 20mm	540	R2.40
SWRB032025	32mm x 25mm	540	R2.87
SWRB040020	40mm x 20mm	340	R4.36
SWRB040025	40mm x 25mm	340	R4.57
SWRB040032	40mm x 32mm	350	R4.87
SWRB050020	50mm x 20mm	234	R7.17
SWRB050025	50mm x 25mm	234	R7.58
SWRB050032	50mm x 32mm	234	R7.71
SWRB050040	50mm x 40mm	234	R7.71
SWRB063025	63mm x 25mm	175	R13.00
SWRB063032	63mm x 32mm	175	R13.67
SWRB063040	63mm x 40mm	175	R13.67
SWRB063050	63mm x 50mm	175	R13.67
SWRB075050	75mm x 50mm	108	R16.34
SWRB075063	75mm x 63mm	108	R16.34
SWRB090050	90mm x 50mm	108	R32.70
SWRB090063	90mm x 63mm	100	R32.70
SWRB090075	90mm x 75mm	100	R32.70
SWRB110063	110mm x 63mm	80	R56.21
SWRB110075	110mm x 75mm	80	R56.21
SWRB110090	110mm x 90mm	80	R56.21
SWRB125110	125mm x 110mm	50	R133.00
SWRB140125	140mm x 125mm	24	R203.00
SWRB160090	160mm x 90mm	18	R212.00
SWRB160110	160mm x 110mm	18	R212.00
SWRB160125	160mm x 125mm	18	R284.82
SWRB200160	200mm x 160mm	1	R1 109.00

uPVC PIPE SUPPORT CLIP



CODE	SIZE	BOX QTY	PRICE
SWPSC020	20mm	2 000	R3.28
SWPSC025	25mm	1 500	R4.92
SWPSC032	32mm	1 000	R7.17
SWPSC040	40mm	1 000	R10.13
SWPSC050	50mm	1 000	R12.00

POLY PROP PIPE SUPPORT CLIP



NEW

For use with PVC pipe

CODE	SIZE	BOX QTY	PRICE
SWPSC063	63mm	270	R38.00
SWPSC075	75mm	240	R62.00
SWPSC090	90mm	120	R70.00
SWPSC110	110mm	120	R79.00



TOMMY

uPVC SOLVENT WELD 45° ELBOW



CODE	SIZE	BOX QTY	PRICE
SWE045020	20mm	500	R2.49
SWE045025	25mm	300	R4.04
SWE045032	32mm	150	R7.26
SWE045040	40mm	88	R11.97
SWE045050	50mm	48	R19.26
SWE045063	63mm	80	R34.37
SWE045075	75mm	40	R55.68
SWE045090	90mm	21	R93.33
SWE045110	110mm	12	R159.17
SWE045125	125mm	24	R152.38
SWE045140	140mm	16	R210.76
SWE045160	160mm	4	R482.13
SWE045200	200mm	2	R679.85
SWE045250	250mm	2	R1 225.56
SWE045315	315mm	1	R2 487.12

uPVC SOLVENT WELD 90° ELBOW



CODE	SIZE	BOX QTY	PRICE
SWE090020	20mm	380	R3.07
SWE090025	25mm	220	R4.95
SWE090032	32mm	124	R8.78
SWE090040	40mm	75	R14.40
SWE090050	50mm	56	R23.27
SWE090063	63mm	34	R42.80
SWE090075	75mm	27	R69.06
SWE090090	90mm	16	R117.42
SWE090110	110mm	9	R201.15
SWE090125	125mm	20	R172.17
SWE090140	140mm	16	R248.47
SWE090160	160mm	4	R577.06
SWE090200	200mm	2	R878.84
SWE090250	250mm	2	R1 430.00
SWE090315	315mm	1	R3 071.55



**uPVC SOLVENT WELD PLAIN/THREADED FEMALE
ELBOW 90° (ROB)**



CODE	SIZE	BOX QTY	PRICE
SWFE020015	20mm x 15mm	350	R4.19
SWFE025015	25mm x 15mm	260	R4.74
SWFE025020	25mm x 20mm	180	R6.88
SWFE032015	32mm x 15mm	180	R7.08
SWFE032020	32mm x 20mm	160	R7.82
SWFE032025	32mm x 25mm	102	R12.56
SWFE040032	40mm x 32mm	65	R18.79
SWFE050040	50mm x 40mm	84	R26.55
SWFE063050	63mm x 50mm	34	R46.58
SWFE075065	75mm x 65mm	38	R70.14
SWFE090080	90mm x 80mm	20	R122.13
SWFE110100	110mm x 100mm	6	R247.11

WORKING PRESSURE
UP TO 110mm & 160mm - 16 BAR
125mm, 140mm, 200mm
& ABOVE - 10 BAR



uPVC SOLVENT WELD

TOMMY

uPVC SOLVENT WELD SOCKET



CODE	SIZE	BOX QTY	PRICE
SWS020	20mm	600	R2.00
SWS025	25mm	300	R3.37
SWS032	32mm	240	R5.24
SWS040	40mm	140	R8.75
SWS050	50mm	75	R13.35
SWS063	63mm	117	R23.92
SWS075	75mm	60	R38.79
SWS090	90mm	38	R66.54
SWS110	110mm	18	R113.91
SWS125	125mm	27	R95.27
SWS140	140mm	18	R143.80
SWS160	160mm	6	R318.30
SWS200	200mm	6	R469.59
SWS250	250mm	6	R774.61
SWS315	315mm	2	R1 555.37

uPVC SOLVENT WELD REDUCING SOCKET



CODE	SIZE	BOX QTY	PRICE
SWR025020	25mm x 20mm	360	R3.10
SWR032020	32mm x 20mm	378	R4.39
SWR032025	32mm x 25mm	252	R4.92
SWR040020	40mm x 20mm	190	R6.88
SWR040025	40mm x 25mm	190	R7.41
SWR040032	40mm x 32mm	114	R8.81
SWR050020	50mm x 20mm	100	R11.24
SWR050025	50mm x 25mm	100	R11.91
SWR050032	50mm x 32mm	100	R12.44
SWR050040	50mm x 40mm	70	R14.49
SWR063025	63mm x 25mm	140	R19.82
SWR063032	63mm x 32mm	140	R20.49
SWR063040	63mm x 40mm	156	R21.22
SWR063050	63mm x 50mm	150	R23.77
SWR075050	75mm x 50mm	98	R36.15
SWR075063	75mm x 63mm	32	R41.19
SWR090050	90mm x 50mm	54	R58.90
SWR090063	90mm x 63mm	54	R63.26
SWR090075	90mm x 75mm	54	R69.97
SWR110063	110mm x 63mm	24	R101.12
SWR110075	110mm x 75mm	24	R107.20
SWR110090	110mm x 90mm	24	R118.00
SWR125110	125mm x 110mm	36	R133.00
SWR160110	160mm x 110mm	12	R299.89
SWR160125	160mm x 125mm	24	R206.34
SWR160140	160mm x 140mm	24	R230.23
SWR200160	200mm x 160mm	6	R548.68
SWR250200	250mm x 200mm	8	R610.17
SWR315200	315mm x 200mm	2	R1 259.23
SWR315250	315mm x 250mm	2	R1 287.71

uPVC SOLVENT WELD END CAP



CODE	SIZE	BOX QTY	PRICE
SWEC020	20mm	1 000	R1.38
SWEC025	25mm	600	R2.31
SWEC032	32mm	340	R3.92
SWEC040	40mm	228	R6.38
SWEC050	50mm	125	R10.16
SWEC063	63mm	71	R20.58
SWEC075	75mm	100	R28.22
SWEC090	90mm	36	R49.97
SWEC110	110mm	36	R88.79
SWEC125	125mm	48	R72.46
SWEC140	140mm	20	R149.54
SWEC160	160mm	20	R192.75
SWEC200	200mm	12	R379.44
SWEC250	250mm	6	R434.63
SWEC315	315mm	3	R1 013.12



TOMMY

uPVC SOLVENT WELD EQUAL TEE



CODE	SIZE	BOX QTY	PRICE
SWET020	20mm	250	R4.07
SWET025	25mm	171	R6.67
SWET032	32mm	94	R11.50
SWET040	40mm	50	R19.56
SWET050	50mm	66	R30.00
SWET063	63mm	39	R54.83
SWET075	75mm	20	R90.96
SWET090	90mm	8	R151.29
SWET110	110mm	9	R253.70
SWET125	125mm	18	R251.40
SWET140	140mm	7	R350.90
SWET160	160mm	4	R709.15
SWET200	200mm	4	R1 148.58
SWET250	250mm	2	R1 968.44
SWET315	315mm	1	R4 222.41

uPVC SOLVENT WELD REDUCING TEE



CODE	SIZE	BOX QTY	PRICE
SWRT025020	25mm x 20mm	180	R6.24
SWRT032020	32mm x 20mm	138	R8.93
SWRT032025	32mm x 25mm	101	R10.39
SWRT040020	40mm x 20mm	168	R13.58
SWRT040025	40mm x 25mm	147	R14.73
SWRT040032	40mm x 32mm	46	R17.00
SWRT050020	50mm x 20mm	50	R20.88
SWRT050025	50mm x 25mm	46	R22.16
SWRT050032	50mm x 32mm	44	R24.69
SWRT050040	50mm x 40mm	32	R27.66
SWRT063040	63mm x 40mm	28	R43.41
SWRT063050	63mm x 50mm	23	R48.30
SWRT075040	75mm x 40mm	9	R67.57
SWRT075050	75mm x 50mm	7	R75.47
SWRT075063	75mm x 63mm	6	R86.59
SWRT090063	90mm x 63mm	10	R130.24
SWRT090075	90mm x 75mm	9	R146.14
SWRT110063	110mm x 63mm	7	R195.29
SWRT110075	110mm x 75mm	6	R216.46
SWRT110090	110mm x 90mm	10	R240.61
SWRT125110	125mm x 110mm	18	R212.00
SWRT140110	140mm x 110mm	16	R257.73
SWRT160110	160mm x 110mm	4	R629.88
SWRT160125	160mm x 125mm	5	R389.40
SWRT160140	160mm x 140mm	5	R400.97
SWRT200110	200mm x 110mm	4	R551.90
SWRT200160	200mm x 160mm	4	R777.86
SWRT250160	250mm x 160mm	3	R1 378.09
SWRT250200	250mm x 200mm	2	R1 561.79
SWRT315160	315mm x 160mm	1	R2 833.82
SWRT315200	315mm x 200mm	1	R3 238.37
SWRT315250	315mm x 250mm	1	R3 382.00

**uPVC SOLVENT WELD PLAIN/THREADED
FEMALE TEE (ROT)**



CODE	SIZE	BOX QTY	PRICE
SWFT020015	20mm x 15mm	250	R4.48
SWFT025015	25mm x 15mm	180	R6.24
SWFT025020	25mm x 20mm	162	R7.87
SWFT032015	32mm x 15mm	138	R9.40
SWFT032020	32mm x 20mm	256	R10.39
SWFT032025	32mm x 25mm	90	R13.26
SWFT040032	40mm x 32mm	50	R22.37
SWFT050040	50mm x 40mm	48	R30.88
SWFT063050	63mm x 50mm	49	R53.54
SWFT075065	75mm x 65mm	30	R95.55
SWFT090080	90mm x 80mm	18	R153.37
SWFT110100	110mm x 100mm	11	R288.71

