

# SIME GUNS



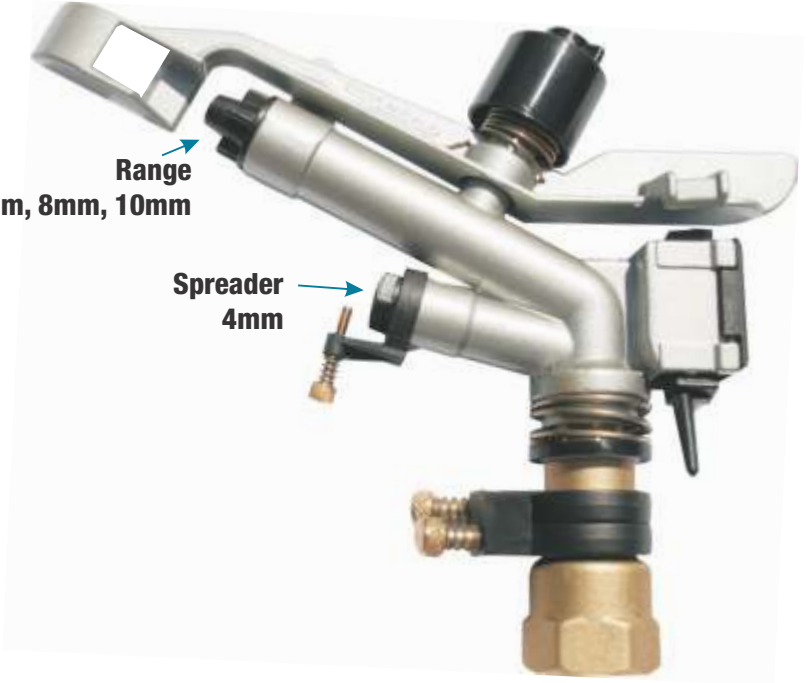
SIME GUNS ..... Pg. 132 - 149



# SIME IBIS

(FULL & PART CIRCLE)

SIME IBIS impact drive sprinkler is constructed with a heavy cast aluminum body, aluminum drive arm and brass lower turning union. Features include adjustable stops for full or part circle coverage, an adjustable jet breaker for changes stream pattern and a quick change nozzle setup all supported by a 1" female standard pipe thread connection. The Ibis is a dual port sprinkler with a secondary stream nozzle located just on the underside of the main barrel to cover close and intermediate ranges.



## GUN

CODE	PRICE
SIME IBIS	R1 200.00
<b>Set of nozzles included in price (Sizes 6mm, 8mm &amp; 10mm)</b>	

## NOZZLES

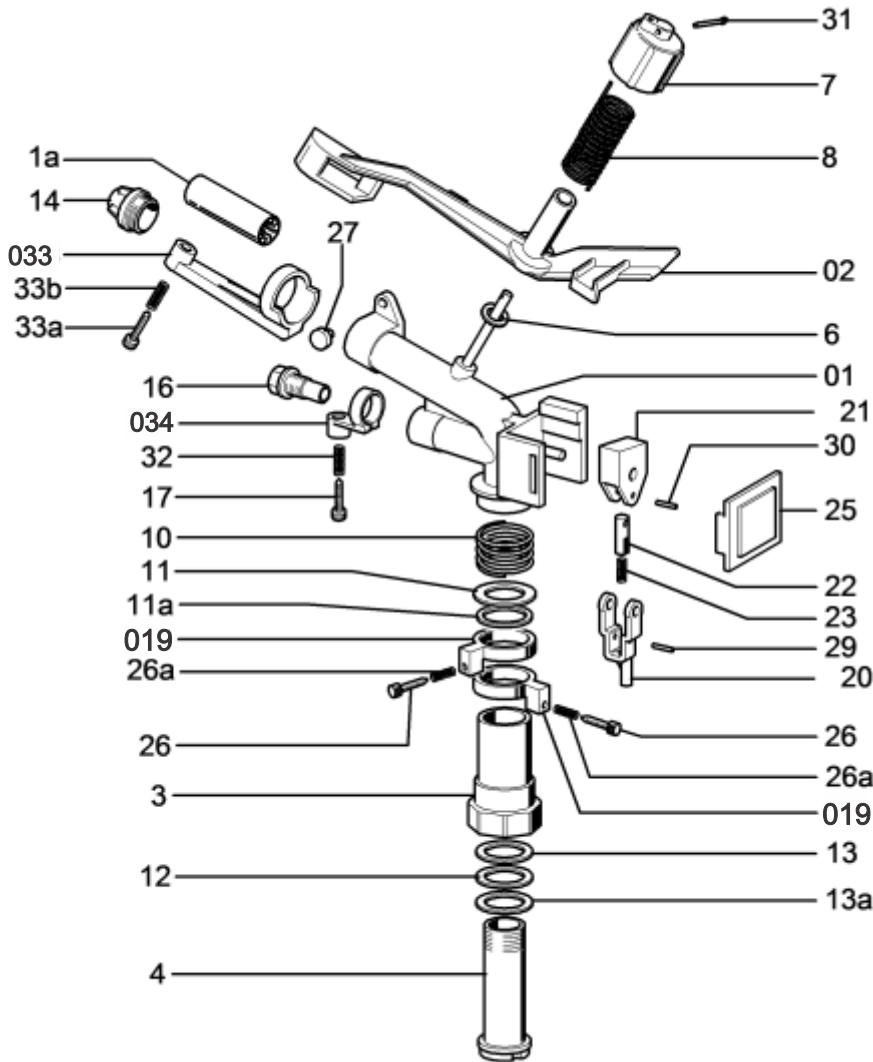
CODE	PRICE
NZ-.....(IBIS)	R40.00
NZ- 4mm (IBIS/JOLLY)	R30.00

FEM. CONNECTION SCREW	inch	1"
NET WEIGHT	kg	0.76
PACKAGING SIZE	cm	57x28x26
BOX QUANTITY	each	20

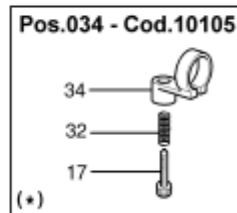
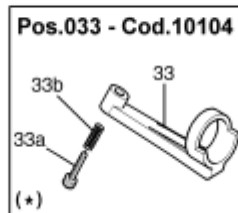
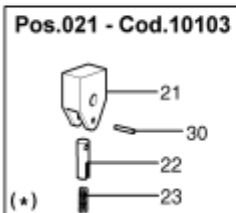
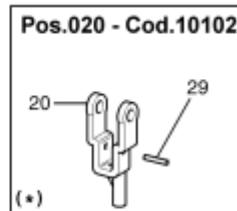
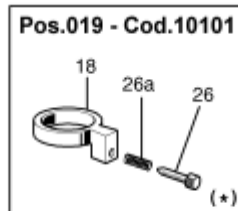
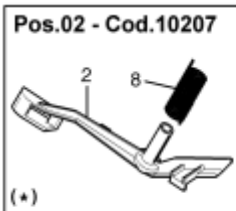
## SPECIFICATIONS

U Nozzle diameter	P Pressure	G Jet Length	Q Capacity	● Values for a single sprinkler		■ Square pattern for irrigators			▲ Triangular pattern				
				S Irrigated area	I Rainfall per hour	D Distance of sprinklers on the pipeline	S Irrigated area	I Rainfall per hour	D Distance of sprinklers on the pipeline	D <sub>1</sub> Distance between 2 contiguous pipelines	S Irrigated area	I Rainfall per hour	
mm	atm	m	l/min	m <sup>3</sup> /h	m <sup>2</sup>	mm/h	m	m <sup>2</sup>	mm/h	m	m	m <sup>2</sup>	mm/h
4 & 6	1.5	13	40	2.4	530	4.5	18	324	7.4	22	19	418	5.7
	2	15	46	2.8	706	4.0	21	441	6.4	25	22	550	5.1
	3	17	56	3.4	907	3.7	24	576	5.9	29	25	725	4.7
	4	18	65	3.9	1017	3.8	25	625	6.2	31	27	837	4.6
	5	23	161	9.7	1661	5.8	32	1024	9.5	39	34	1326	7.3
4 & 8	1.5	14.5	61	3.7	660	5.6	20	400	9.2	25	21	525	7
	2	16.5	71	4.3	854	5.0	23	529	8.1	28	24	627	6.4
	3	18	86	5.2	1017	5.1	25	625	8.3	31	27	837	6.2
	4	19	100	6.0	1134	5.3	26	676	8.9	32	28	989	6.1
4 & 10	2	17	102	6.1	907	6.7	24	576	10.6	29	25	725	8.4
	3	19.5	124	7.4	1193	6.2	27	729	10.2	33	29	957	7.7
	4	21	144	8.6	1385	6.2	29	841	10.2	36	31	1116	7.7

**IBIS SPARE PARTS**



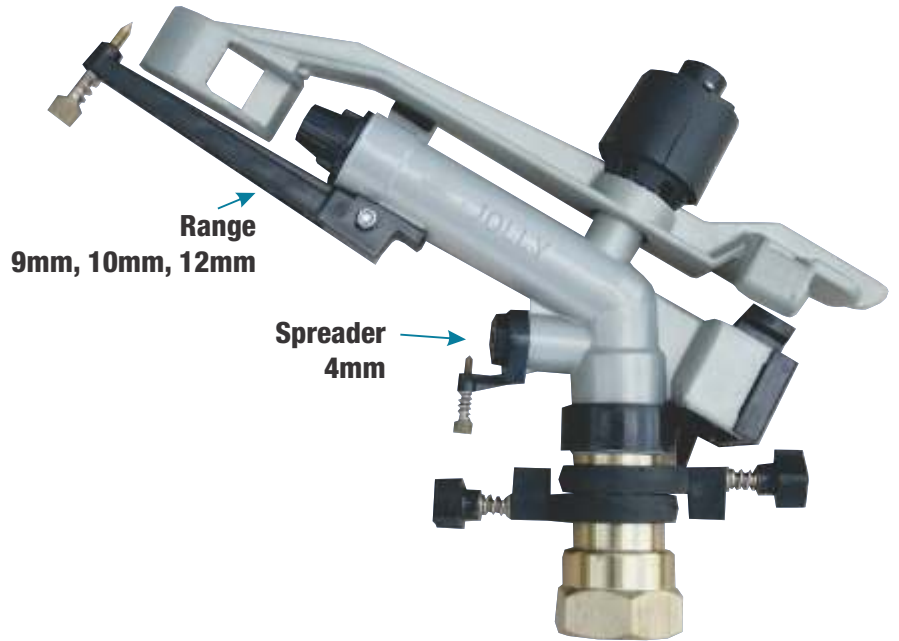
CODE N°	POSITION	PRICE
S10206	01	R344.68
S30291	1a	R25.83
S10207	02	R264.14
S30293	3	R302.80
S30294	4	R225.49
S30296	6	R7.09
S30334	7	R34.73
S30335	8	R26.41
S30300	10	R40.72
S30301	11	R10.95
S30302	11a	R12.76
S30303	12	R11.60
S30304	13	R6.38
S30305	13a	R14.17
S30336	17	R24.48
S10101	019	R109.52
S10102	020	R40.72
S10103	021	R73.45
S30313	22	R20.55
S30314	23	R3.87
S30316	25	R24.48
S30317	26	R45.10
S30325	26a	R6.38
S30319	27	R6.38
S30322	29	R3.87
S30323	30	R3.87
S30324	31	R3.87
S30337	32	R5.15
S10104	033	R115.97
S30308	33a	R48.32
S30325	33b	R47.03
S10105	034	R59.92



# SIME JOLLY

(FULL & PART CIRCLE)

**SIME JOLLY** impact drive sprinkler is constructed with a heavy cast aluminum body, aluminum drive arm and brass lower turning union. Features include adjustable stops for full or part circle coverage, an adjustable jet breaker for changes stream pattern and a quick change nozzle setup all supported by a 1 1/4" female standard pipe thread connection. The Jolly is a dual port sprinkler with a secondary stream nozzle located just on the underside of the main barrel to cover close and intermediate ranges.



## GUN

CODE	PRICE
SIME JOLLY	R1 600.00
<b>Set of nozzles included in price (Sizes 9mm, 10mm &amp; 12mm)</b>	

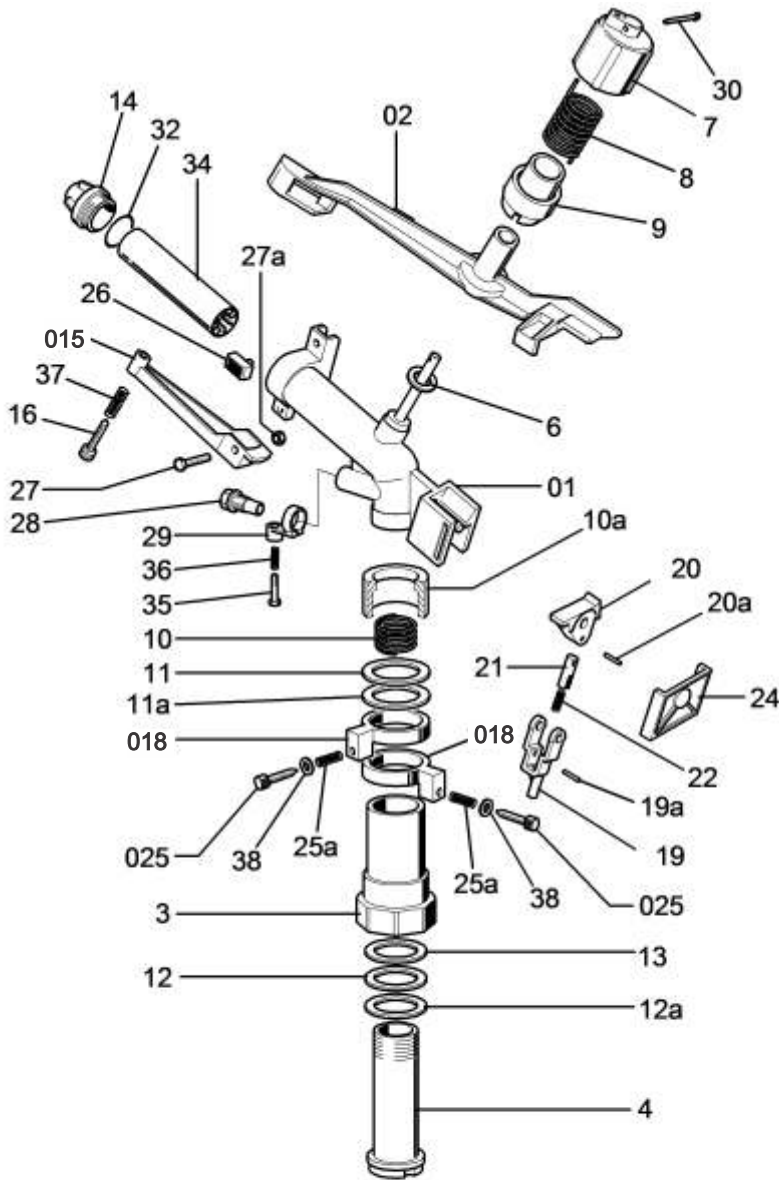
## NOZZLES

CODE	PRICE
NZ-.....(JOLLY)	R40.00
NZ- 4mm (IBIS/JOLLY)	R30.00

<b>FEM. CONNECTION SCREW</b>	inch	1.1/4"
<b>NET WEIGHT</b>	kg	1.28
<b>PACKAGING SIZE</b>	cm	57X28X26
<b>BOX QUANTITY</b>	each	16

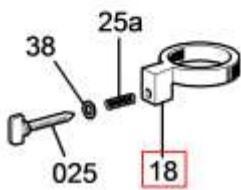
## SPECIFICATIONS

U Nozzle diameter	P Pressure	G Jet Length	Q Capacity	● Values for a single sprinkler		■ Square pattern for irrigators			▲ Triangular pattern				
				S Irrigated area	I Rainfall per hour	D Distance of sprinklers on the pipeline	S Irrigated area	I Rainfall per hour	D Distance of sprinklers on the pipeline	D <sub>1</sub> Distance between 2 contiguous pipelines	S Irrigated area	I Rainfall per hour	
mm	atm	m	l/min	m <sup>3</sup> /h	m <sup>2</sup>	mm/h	m	m <sup>2</sup>	mm/h	m	m	m <sup>2</sup>	m
8 4	1,5	16,5	62	3,7	855	4,3	23	529	7,0	28	24	672	5,5
	2,0	17,5	71	4,2	962	4,4	24	576	7,3	30	26	780	5,4
	3,0	19,5	87	5,2	1194	4,3	27	729	7,1	33	29	957	5,4
	4,0	21	100	6,0	1384	4,3	29	841	7,1	36	31	1116	5,4
9 4	1,5	17	76	4,5	908	4,9	24	576	7,8	29	25	725	6,2
	2,0	18	88	5,3	1017	5,2	25	625	8,5	31	27	837	6,3
	3,0	20	107	6,4	1256	5,0	28	784	8,2	34	30	1020	6,3
10 4	4,0	21,5	124	7,4	1451	5,0	30	900	8,2	37	32	1184	6,2
	2,0	19	106	6,4	1134	5,6	26	676	9,5	32	28	896	7,1
	3,0	21	130	7,8	1384	5,6	29	841	9,3	36	31	1116	7,0
	4,0	22,5	151	9,0	1590	5,7	32	1024	8,8	39	34	1326	6,8
12 4	5,0	23,5	170	10,2	1734	5,9	33	1089	9,3	40	35	1400	7,3
	2,0	21	149	8,9	1384	6,4	29	841	10,6	36	31	1116	8,0
	3,0	23,5	182	10,9	1734	6,3	33	1089	10,0	40	35	1400	7,8
	4,0	26	211	12,6	2123	5,9	36	1296	9,7	44	39	1716	7,3
14 4	5,0	28	236	14,2	2461	5,8	39	1521	9,3	48	42	2016	7,0
	2,0	22,5	197	11,8	1590	7,4	32	1024	11,5	39	34	1326	8,9
	3,0	24	241	14,4	1809	7,9	33	1089	13,2	41	36	1476	9,7
	4,0	27	278	16,7	2289	7,2	38	1444	11,6	46	40	1840	9,1
	5,0	29	311	18,6	2640	7,0	40	1600	11,6	50	43	2150	8,6

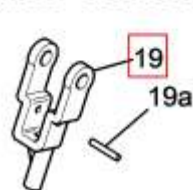


CODE N°	POSITION	PRICE
S10200	01	R418.77
S10243	02	R351.12
S30344	3	R405.88
S30345	4	R322.13
S30347	6	R7.80
S30348	7	R62.36
S30349	8	R41.88
S30350	9	R50.32
S30300	10	R40.72
S30351	10a	R19.33
S30352	11	R10.95
S30354	11a	R18.04
S30354	12	R18.04
S30355	12a	R22.68
S30356	13	R8.50
S10108	015	R153.98
S30359	16	R53.49
S10109	018	R156.51
S10201	019	R67.00
S30363	19a	R4.51
S10202	020	R101.79
S30322	20a	R3.87
S30704	21	R10.95
S30366	22	R5.15
S30368	24	R52.83
S10429	025	R67.65
S30325	25a	R6.38
S30369	26	R7.09
S30370	27	R7.09
S30321	27a	R4.51
S10105	029	R59.92
S30339	29	R20.66
S30371	30	R5.67
S30372	32	R7.09
S30373	34	R61.20
S30336	35	R24.48
S30337	36	R5.15
S30374	37	R7.60
S3010183	38	R3.22

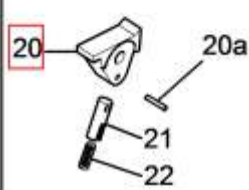
Pos.018 - Cod.10109



Pos.019 - Cod.10201



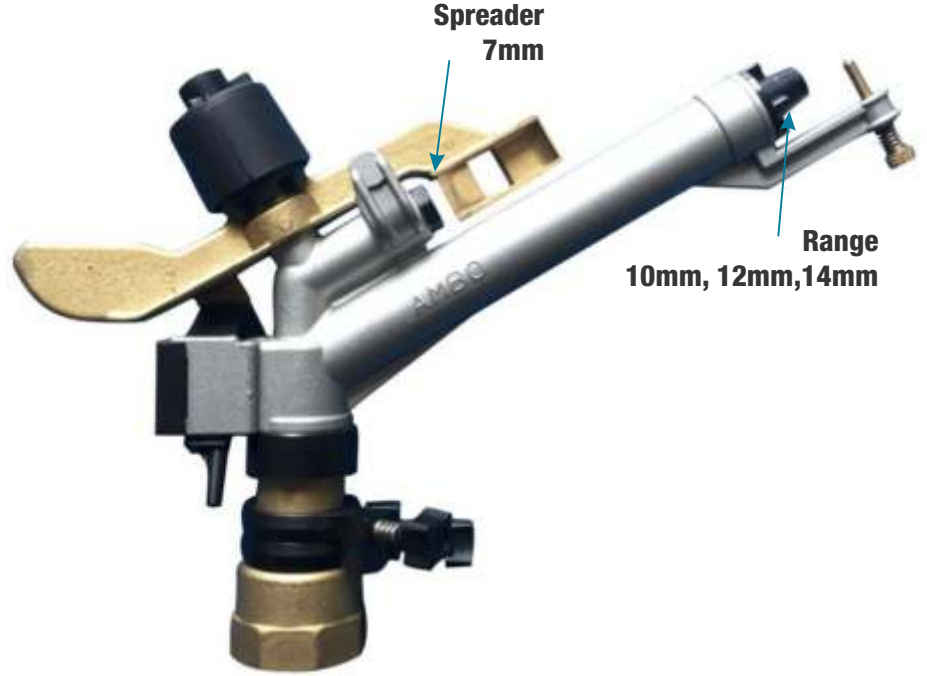
Pos.020 - Cod.10202



# SIME AMBO

(FULL & PART CIRCLE)

**SIME AMBO** impact drive sprinkler is constructed with a heavy cast aluminum body, brass drive arm and brass lower turning union. Features include adjustable stops for full or part circle coverage, an adjustable jet breaker for changes stream pattern and a quick change nozzle setup all supported by a 1 1/2" female standard pipe thread connection.



## GUN

CODE	PRICE
SIME AMBO	R2 000.00
<b>Set of nozzles included in price (Sizes 10mm, 12mm &amp; 14mm)</b>	

## NOZZLES

CODE	PRICE
NZ-.....(AMBO)	R50.00
NZ- 7mm (AMBO)	R30.00

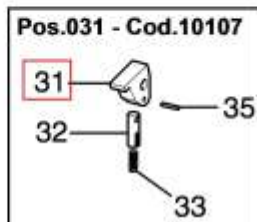
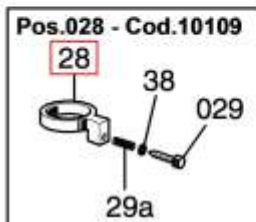
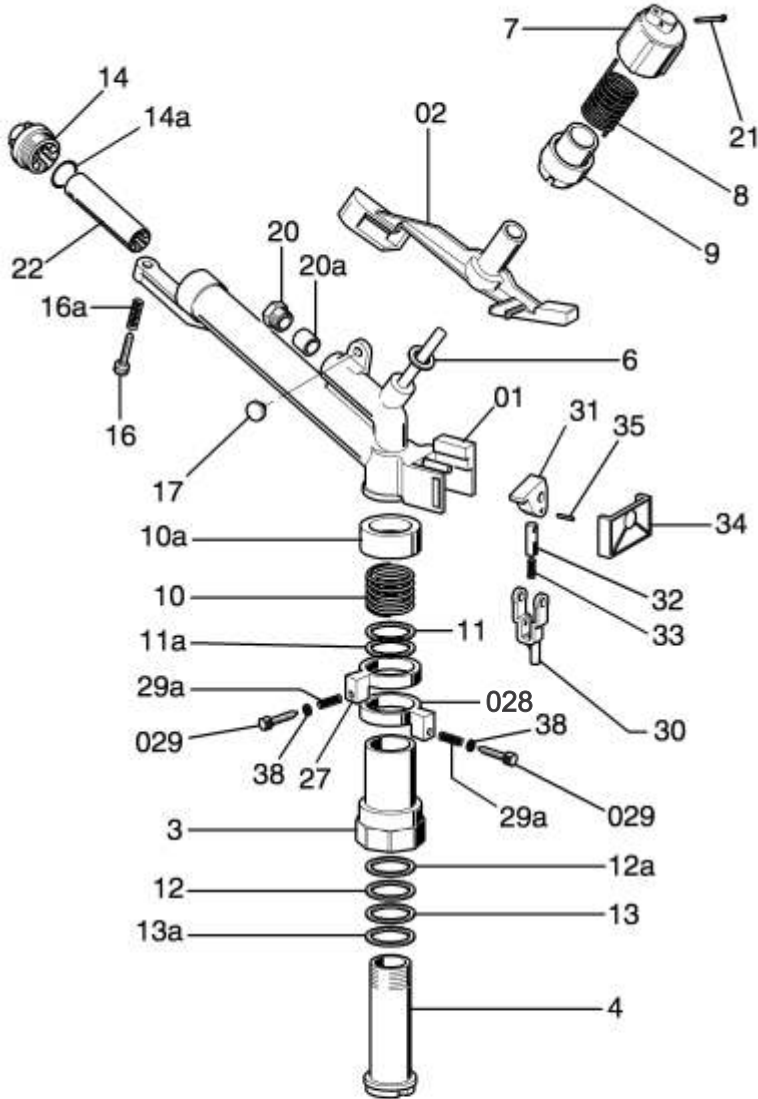
FEM. CONNECTION SCREW	inch	1 1/2"
NET WEIGHT	kg	1.53
PACKAGING SIZE	cm	57X28X26
BOX QUANTITY	each	16

## SPECIFICATIONS

U Nozzle diameter	P Pressure	G Jet Length	Q Capacity	Values for a single sprinkler		Square pattern for irrigators			Triangular pattern				
				S Irrigated area	I Rainfall per hour	D	S	I	D	D <sub>1</sub>	S	I	
mm	atm	m	l/min	m <sup>3</sup> /h	m <sup>2</sup>	mm/h	m	m <sup>2</sup>	mm/h	m	m	m <sup>2</sup>	m
7	1,5	16	86	5,1	804	6,3	22	484	10,5	27	24	648	7,9
	2	17,5	99	5,9	962	6,1	24	576	10,2	30	26	780	7,5
	3	19,5	121	7,2	1194	6,0	27	729	9,9	33	29	957	7,5
	4	21	140	8,4	1384	6,0	29	841	9,9	36	31	1116	7,5
8	2	18	130	7,8	1017	7,6	25	625	12,4	31	27	837	9,3
	3	21	159	9,5	1384	6,9	29	841	11,3	36	31	1116	8,5
	4	23	184	11,0	1662	6,6	32	1024	10,7	39	34	1326	8,3
10	5	24,5	207	12,4	1884	6,5	34	1156	10,7	42	36	1512	8,2
	2	19,5	169	10,1	1194	8,5	27	729	13,8	33	29	957	10,5
	3	22	207	12,4	1520	8,1	31	961	12,9	38	33	1254	9,9
12	4	25	239	14,3	1962	7,3	35	1225	11,7	43	37	1591	9,0
	5	27,5	269	16,1	2374	6,8	38	1444	11,1	47	41	1927	8,3
	2	20,5	215	12,9	1319	9,8	29	841	15,3	35	30	1050	12,3
14	3	23,5	264	15,8	1734	9,1	33	1089	14,5	40	35	1400	11,3
	4	26	305	18,3	2123	8,6	36	1296	14,1	44	39	1716	10,6
	5	28,5	342	20,5	2550	8,0	40	1600	12,8	49	42	2058	10,0
16	2	21	267	16,0	1384	11,5	29	841	19,0	36	31	1116	14,3
	3	24	328	19,6	1809	10,8	33	1089	18,0	41	36	1476	13,2
	4	26,5	379	22,7	2205	10,3	37	1369	16,6	45	39	1755	12,9
	5	29	414	24,8	2640	9,4	41	1681	14,7	50	43	2150	11,5



**AMBO SPARE PARTS**



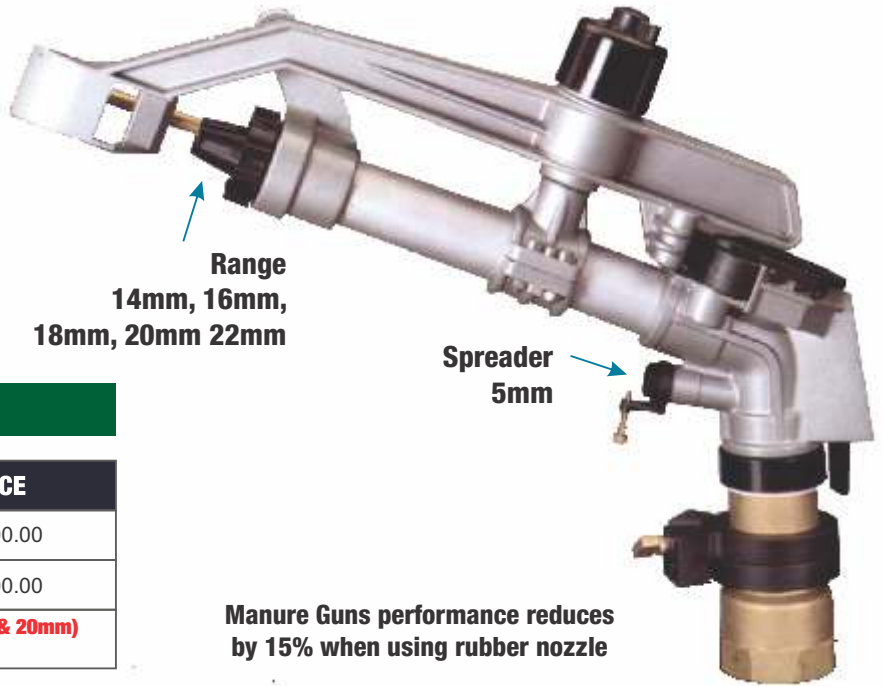
CODE N°	POSITION	PRICE
S10237	01	R599.16
S10369	02	R547.62
S30329	3	R476.75
S30345	4	R322.13
S30347	6	R7.80
S30348	7	R62.36
S30349	8	R41.88
S30350	9	R50.32
S30300	10	R40.72
S30351	10a	R19.33
S30352	11	R10.95
S30354	11a	R18.04
S30354	12	R18.04
S30355	12a	R22.68
S20172	13	R24.48
S30356	13a	R8.50
S30372	14a	R7.09
S30359	16	R53.49
S30374	16a	R7.60
S30330	17	R6.38
S30371	21	R5.67
S30383	22	R62.36
S30360	27	R52.18
S10109	028	R156.51
S10429	029	R67.65
S30325	29a	R6.38
S30362	030	R66.86
S10107	031	R100.63
S30365	32	R25.13
S30366	33	R5.15
S30368	34	R52.83
S30322	35	R3.87
S3010183	38	R3.22
S30677	39	R63.07



# SIME SENIOR

(FULL & PART CIRCLE)

**SIME SENIOR** impact drive sprinkler is constructed with a heavy cast aluminum body, aluminum drive arm and brass lower turning union. Features include adjustable stops for full or part circle coverage, an adjustable jet breaker for changes stream pattern and a quick change nozzle setup all supported by a 2" female standard pipe thread connection. The Senior is a dual port sprinkler with a secondary stream nozzle located just on the underside of the main barrel to cover close and intermediate ranges.



Manure Guns performance reduces by 15% when using rubber nozzle

## GUN

CODE	PRICE
SIME SENIOR (MANURE GUN) <i>No vains inside</i>	R5 700.00
SIME SENIOR (I) (IRRIGATION) <i>Vains inside</i>	R5 600.00
<b>Set of nozzles included in price (Sizes 14mm, 16mm,18mm &amp; 20mm) and rubber nozzle for Manure Gun</b>	

## NOZZLES

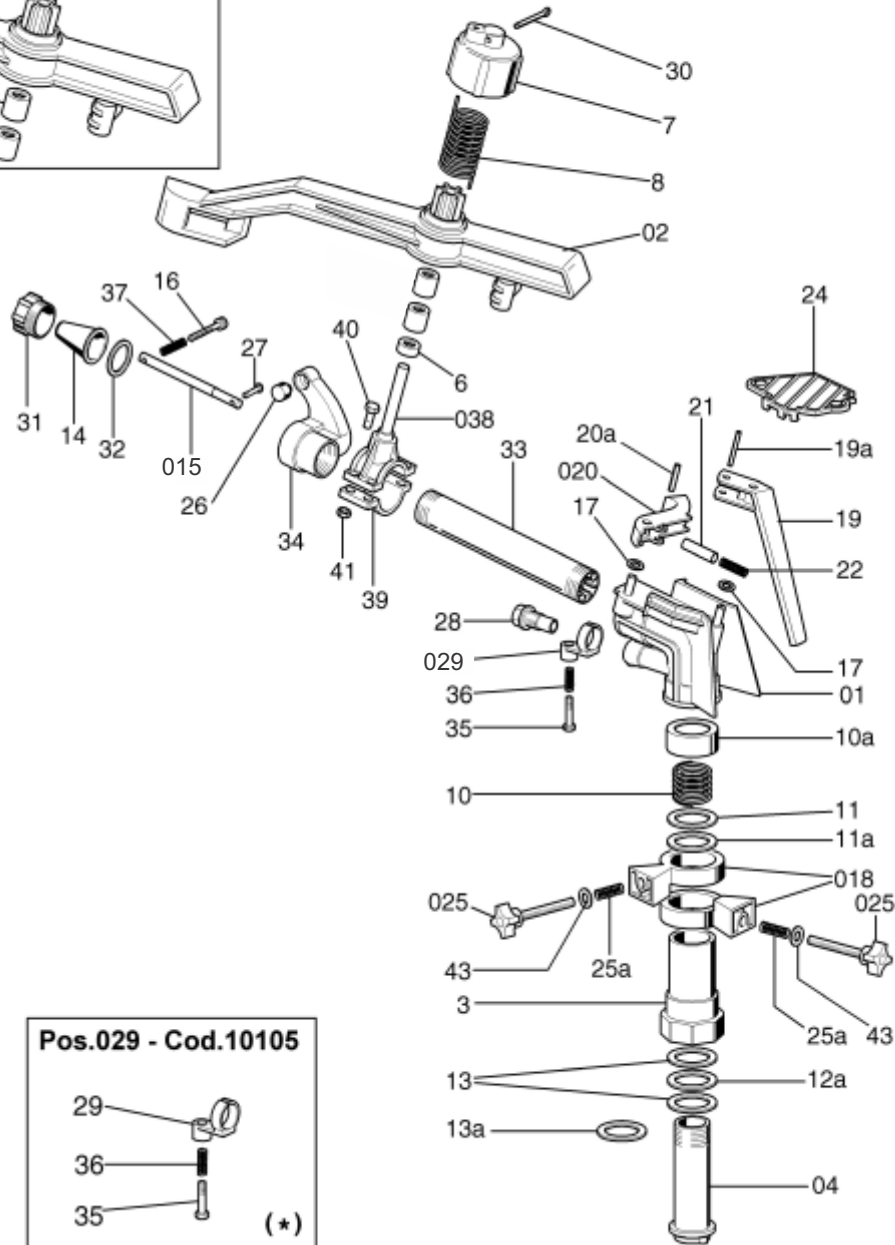
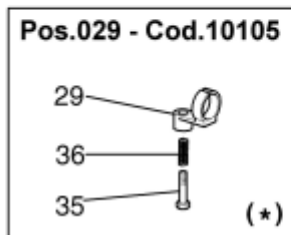
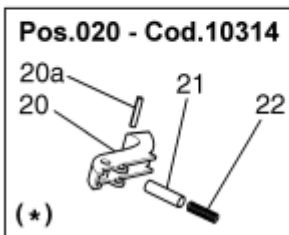
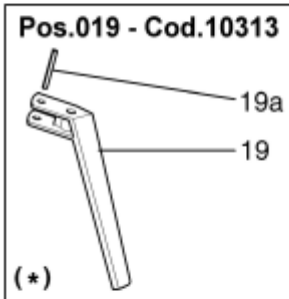
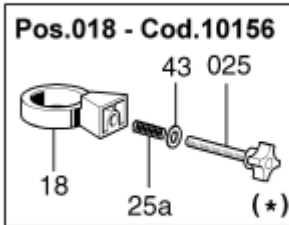
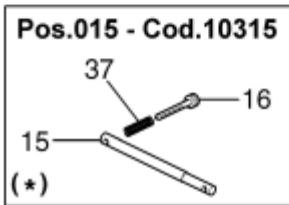
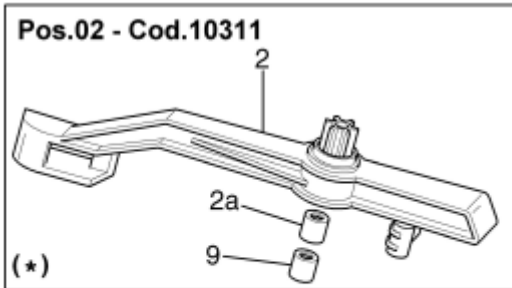
CODE	PRICE
NZ-..... <b>SIZE?</b> .....(SENIOR)	R100.00
NZ- 5mm (SENIOR)	R30.00
NZ- RUBBER	R120.00

<b>FEM. CONNECTION SCREW</b>	inch	2"
<b>NET WEIGHT</b>	kg	3.8
<b>PACKAGING SIZE</b>	cm	57X27X38
<b>BOX QUANTITY</b>	each	1

## SPECIFICATIONS

U Nozzle diameter	P Pressure	G Jet Length	Q Capacity	● Values for a single sprinkler		■ Square pattern for irrigators			▲ Triangular pattern								
				S Irrigated area	I Rainfall per hour	D Distance of sprinklers on the pipeline	S Irrigated area	I Rainfall per hour	D Distance of sprinklers on the pipeline	D <sub>1</sub> Distance between 2 contiguous pipelines	S Irrigated area	I Rainfall per hour					
mm	inch	kg/cm <sup>2</sup>	lbs/inch	m	feet	l/min	m <sup>3</sup> /h	G.P.M.	m <sup>2</sup>	mm/h	m	m <sup>2</sup>	mm/h	m	m	m <sup>2</sup>	mm/h
12&5	.47 .20	1.5	22	19	62	130	7.8	34.3	1133	6.9	27	729	10.0	33	28	924	8.4
		2	29	22	72	152	9.4	40.2	1520	6.0	31	961	9.5	38	33	1254	7.3
		3	44	24	78	182	10.9	48.1	1808	6.0	33	1089	10.0	41	36	1476	7.3
		4	56	27	88	211	12.6	55.0	2289	5.6	38	1444	8.8	46	40	1840	6.9
14&5	.55 .20	2	29	23	75	195	11.7	51.5	1661	7.0	32	1024	11.0	40	34	1360	8.6
		3	44	28	91	239	14.3	63.2	2461	5.8	39	1521	9.4	48	42	2016	7.1
		4	56	31	101	277	16.6	73.2	3017	5.5	34	1849	9.0	53	46	2438	6.8
		5	70	34	111	309	18.5	81.7	3631	5.1	48	2304	8.0	59	51	3009	6.2
16&5	.63 .20	2	29	24	78	247	14.8	65.3	1808	8.2	33	1089	13.0	41	36	1476	10.0
		3	44	30	98	303	18.2	80.1	2826	6.4	42	1764	10.0	52	45	2340	7.8
		4	56	34	111	351	21.0	92.8	3631	5.8	48	2304	9.1	59	51	3009	7.0
		5	70	36	118	391	23.4	103	4069	5.7	51	2601	9.0	62	54	3348	7.0
18&5	.71 .20	2	29	24	78	309	18.5	81.7	1808	10.2	33	1089	17.0	41	36	1476	12.0
		3	44	32	105	378	22.7	100	3215	7.0	45	2025	11.2	55	48	2640	8.6
		4	56	35	115	436	26.2	115	3846	6.8	49	2401	10.8	60	52	3120	8.4
		5	70	38	125	487	29.2	128	4354	6.5	53	2809	10.2	65	57	3705	7.9
20&5	.78 .20	2	29	25	82	376	22.5	99.4	1962	11.4	35	1225	18.0	46	37	1591	14.0
		3	44	33	100	460	27.6	121	3419	8.0	46	2116	13.0	57	49	2793	10.1
		4	56	37	122	532	31.9	140	4298	7.4	52	2704	11.8	64	55	3520	9.1
		5	70	41	135	594	35.6	157	5281	6.8	57	3249	11.0	70	61	4270	8.4





CODEN°	POSITION	PRICE
S10310	01	R1 224.08
S10311	02	R1 037.25
S30793	3	R1 159.66
S10179	04	R1 236.97
S20195	6	R59.27
S3010188	7	R85.04
S3010189	8	R115.97
S3010274	10	R92.84
S30803	10a	R24.48
S30804	11	R29.76
S30805	11a	R27.64

CODEN°	POSITION	PRICE
S30805	12a	R27.64
S30804	13	R29.76
S3010496	13a	R19.33
S10315	015	R206.16
S30359	16	R53.49
S301010	17	R24.48
S10156	018	R251.26
S30811	18	R100.59
S10313	019	R137.23
S30992	19a	R7.80
S10314	020	R201.65

CODEN°	POSITION	PRICE
S3010192	20a	R10.95
S30997	21	R80.53
S301016	22	R19.33
S3010193	24	R30.92
S10430	025	R96.64
S30821	25a	R12.24
S3010194	26	R30.92
S30530	27	R8.50
S10105	029	R59.92
S30371	30	R5.67
S30211	31	R48.32

CODEN°	POSITION	PRICE
S30567	32	R8.50
S20181	33	R563.72
S3010195	34	R241.66
S30336	35	R24.48
S30337	36	R5.15
S30374	37	R7.60
S10312	038	R257.70
S3010197	39	R125.63
S30500	40	R8.50
S30511	41	R6.38
S3010182	43	R3.22

# SIME WING

## 18° (FULL & PART CIRCLE)

**SIME WING** impact drive sprinkler is constructed with a heavy cast aluminum body, aluminum drive arm and brass lower turning union. Features include adjustable stops for full or part circle coverage and a quick change nozzle setup all supported by a 2" female standard pipe thread connection.



**PIVOT  
END GUN**

### GUN

CODE	PRICE
SIME WING	R14 000.00
<b>Set of nozzles included in price (Sizes 12mm, 14mm, 16mm, 18mm &amp; 20mm)</b>	

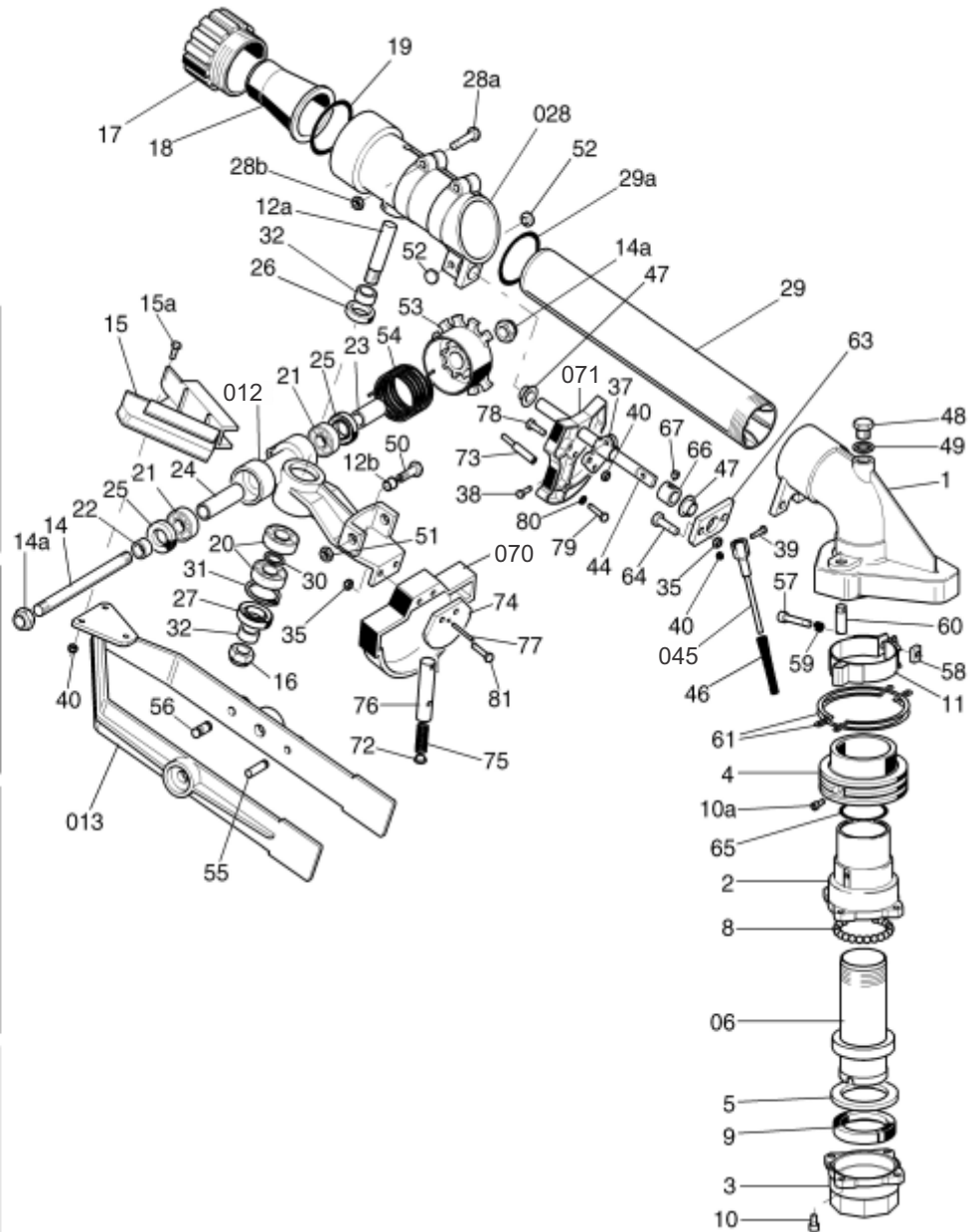
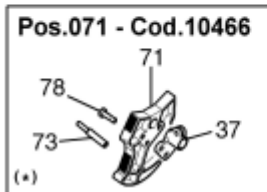
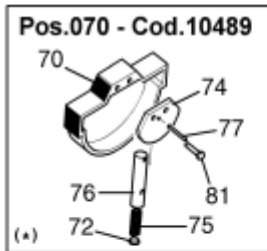
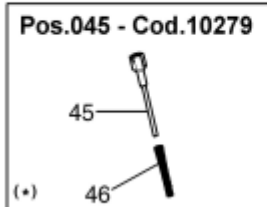
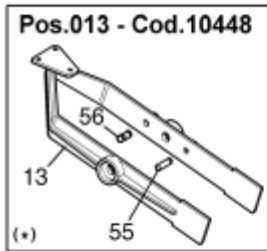
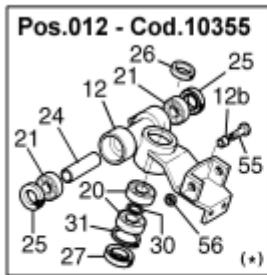
### NOZZLES

CODE	PRICE
NZ-..... <b>SIZE?</b> .....MM(SIME)	R180.00

<b>FEM. CONNECTION SCREW</b>	inch	2"
<b>NET WEIGHT</b>	kg	5.8
<b>PACKAGING SIZE</b>	cm	84X26X24
<b>BOX QUANTITY</b>	each	1

## SPECIFICATIONS

U Nozzle diameter		P Pressure		G Jet Length		Q Capacity			Values for a single sprinkler		Square pattern for irrigators			Triangular pattern			
									S Irrigated area	I Rainfall per hour	D	S	I	D	D <sub>1</sub>	S	I
mm	inch	kg/cm <sup>2</sup>	lbs/inch	m	feet	l/min	m <sup>3</sup> /h	G.P.M.	m <sup>2</sup>	mm/h	m	m <sup>2</sup>	mm/h	m	m	m <sup>2</sup>	mm/h
12	.47	2	29	22	72	127	7.6	33.5	1519	5.0	32	1024	7.4	22	39	858	8.8
		3	44	25.5	83.6	155	9.3	40.9	2041	4.5	36	1296	7.2	25.5	46	1173	7.9
		4	56	29	95	179	10.7	47.3	2640	4.0	40	1600	6.7	29	52	1508	7.1
		5	70	32	105	202	12.1	53.3	3217	3.7	45	2025	6.0	32	57	1824	6.6
14	.55	2	29	24	78.7	174	10.4	45.9	1808	5.7	34	1156	9.0	24	43	1032	10.0
		3	44	29	95	212	12.7	56.0	2640	4.8	40	1600	7.9	29	52	1508	8.4
		4	56	32	105	245	14.7	64.7	3217	4.6	45	1025	7.3	32	57	1824	8.0
		5	70	35.5	116	274	16.4	72.4	3957	4.2	50	2500	6.6	35.5	64	2272	7.2
16	.63	2	29	25	82	226	13.5	59.7	1962	6.8	35	1225	11.0	25	45	1125	12.0
		3	44	30.5	100	376	16.5	72.9	2921	5.7	43	1849	8.9	30.5	55	1677	9.8
		4	56	34.5	113	320	19.2	84.5	3737	5.1	49	2401	8.0	34.5	62	2139	9.0
		5	70	37.5	123	356	21.3	94.0	4415	4.8	53	2809	7.6	37.5	67	2512	8.5
18	.71	2	29	26.5	87	286	17.1	75.5	2205	7.7	37	1369	12.5	26.5	48	1272	13.4
		3	44	32	105	350	21.0	92.4	3217	6.5	45	2025	10.4	32	57	1824	11.5
		4	56	36.5	119.7	404	24.2	106.7	4183	5.8	51	2601	9.3	36.5	66	2409	10.0
		5	70	40	131	452	27.1	119.4	5024	5.4	56	3136	8.6	40	72	2880	9.4
20	.78	3	44	33	108	432	25.9	114.1	3419	7.6	46	2116	12.2	33	59	1947	13.3
		4	56	37.5	123	501	30.0	132.3	4415	6.8	53	2809	10.7	37.5	67	2512	12.0
		5	70	41	134.5	560	33.6	147.9	5278	6.4	58	3364	10.0	41	73	2993	11.2
		6	85	44.5	146	613	36.8	161.9	6218	5.9	63	3969	9.3	44.5	80	3560	10.3
22	.86	3	44	34	111	522	31.3	137.9	3629	8.6	48	2304	13.6	34	61	2074	15.1
		4	56	39.5	129.6	604	36.2	159.5	4899	7.4	55	3025	12.0	39.5	71	2804	12.9
		5	70	43.5	142.7	676	40.5	178.6	5941	6.8	61	3721	10.9	43.5	78	3383	11.9
		6	85	47.5	155.8	741	44.4	195.7	7084	6.5	67	4489	9.9	47.5	85	4037	11.0
24	.95	4	56	40.5	132.8	720	43.2	190.2	5150	8.4	57	3249	13.3	40.5	73	2956	14.6
		5	70	45.5	149	806	48.3	212.1	6500	7.4	64	4096	11.8	45.5	82	3731	12.9
		6	85	49.5	162	882	52.9	233.0	7693	6.9	70	4900	10.8	49.5	89	3405	12.0
		7	100	52	170.6	952	57.1	251.5	8490	6.7	73	5329	10.7	52	94	4888	11.7



CODEN°	POSITION	PRICE
S10450	01	R3 391.36
S3010455	2	R1 417.36
S3010457	3	R901.96
S3010456	4	R557.11
S30688	5	R205.52
S10447	06	R1 159.66
S3010458	8	R4.51
S3010459	9	R97.80
S3010465	10	R12.24
S3010462	10a	R5.80
S30986	011	R392.93
S10355	012	R3 646.72
S3010333	12b	R97.28
S10448	013	R3 235.45
S3010302	14	R564.37
S30579	14a	R34.73
S3010461	15	R584.98
S30783	15a	R3.87
S3010304	16	R45.74
S30056	17	R139.16

CODEN°	POSITION	PRICE
S30064	19	R11.60
S301002	20	R289.85
S30551	21	R260.28
S3010305	22	R139.16
S3010306	23	R173.30
S3010307	24	R186.83
S3010308	25	R117.25
S3010309	26	R73.45
S3010310	27	R76.54
S10358	028	R1 932.76
S30920	28a	R41.10
S3010480	28b	R5.67
S20232	29	R779.55
S30690	29a	R24.48
S3010314	30	R46.39
S301003	31	R21.26
S3010315	32	R159.78
S10438	<b>033 - old</b>	R850.90
S3010316	<b>33 - old</b>	R247.33
S30513	34	R8.50
S30511	35	R6.38
S10439	<b>036 - old</b>	R911.68
S3010317	<b>36 - old</b>	R300.87

CODEN°	POSITION	PRICE
S3010318	37	R374.89
S30783	38	R3.87
S30530	39	R8.50
S30270	40	R6.38
S3010319	41	R102.44
S3010320	42	R153.33
S30532	43	R6.38
S20233	44	R351.12
S10279	045	R592.71
S30510	46	R58.11
S3010324	47	R64.43
S30102	48	R64.43
S30103	49	R3.22
S30426	50	R15.59
S30475	51	R5.67
S3010325	52	R21.97
S3010327	53	R253.71
S3010463	54	R151.40
S3010329	55	R88.91
S3010330	56	R137.23
S30965	57	R20.06
S3010205	58	R38.66

CODEN°	POSITION	PRICE
S30914	59	R10.31
S30930	60	R119.19
S30906	61	R283.47
S3010530	63	R99.22
S30443	64	R8.50
S3010466	65	R19.84
S3010351	66	R67.65
S3010445	67	R7.09
S10489	070	R1 154.80
S10466	071	R1 094.02
S3010575	72	R60.56
S3010576	73	R85.04
S3010546	74	R32.86
S3010645	75	R42.52
S3010612	76	R170.08
S30910	77	R8.50
S3010441	78	R7.09
S3010462	79	R5.80
S30532	80	R6.38
S30459	81	R9.66



25° (FULL & PART CIRCLE)

Sime Royal Impact Drive Sprinkler is constructed with a heavy cast aluminum body, aluminum drive arm and brass lower turning union. Features include adjustable stops for full or part circle coverage, an adjustable jet breaker for changes stream pattern and a quick change nozzle setup all supported by a 2" female standard pipe thread connection.



GUN

CODE	PRICE
SIME ROYAL	R14 600.00
<b>Set of nozzles included in price (Sizes 14mm, 16mm, 18mm, 20mm, 22mm &amp; 24mm )</b>	

NOZZLES

CODE	PRICE
NZ-..... <b>SIZE?</b> .....MM(SIME)	R180.00

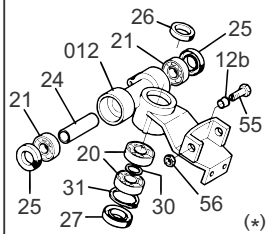
FEM. CONNECTION SCREW	inch	2"
NET WEIGHT	kg	7.8
PACKAGING SIZE	cm	84X26X24
BOX QUANTITY	each	1

SPECIFICATIONS

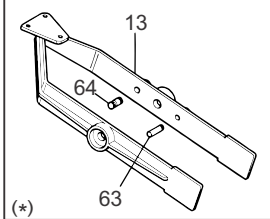
U Nozzle diameter		P Pressure		G Jet Length		Q Capacity			Values for a single sprinkler		Square pattern for irrigators			Triangular pattern			
									S Irrigated area	I Rainfall per hour	D	S	I	D	D <sub>1</sub>	S	I
mm	inch	kg/cm <sup>2</sup>	lbs/inch	m	feet	l/min	m <sup>3</sup> /h	G.P.M.	m <sup>2</sup>	mm/h	m	m <sup>2</sup>	mm/h	m	m	m <sup>2</sup>	mm/h
12	.47	1,5	22	22	72	110	6,6	29,0	1519	4,3	32	1024	6,5	39	33	1287	5,1
		2	29	24	79	127	7,6	33,5	1808	4,2	34	1156	6,5	41	36	1476	5,1
		3	44	28	92	155	9,3	41,0	2461	3,8	38	1444	6,4	48	42	2016	4,6
		4	56	31,5	103	179	10,7	47,3	3115	3,4	44	1936	5,5	54	47	2538	4,2
14	.55	1,5	22	23	75	150	9,0	39,6	1662	5,4	32	1024	8,8	39	34	1236	6,8
		2	29	25,5	84	174	10,4	46,0	2041	5,1	36	1296	8,0	44	38	1672	6,5
		3	44	30	98	212	12,7	56,1	2826	4,5	42	1764	7,2	52	45	2340	5,4
		4	56	33,5	110	245	14,7	64,8	3523	4,2	47	2209	6,6	58	50	2900	5,0
16	.63	2	29	27	89	226	13,5	59,8	2289	5,8	38	1444	9,3	46	40	1840	7,3
		3	44	32	105	276	16,5	73,0	3217	5,1	45	2025	8,2	55	48	2640	6,3
		4	56	36	118	320	19,2	84,6	4069	4,7	50	2500	7,7	62	54	3348	5,7
		5	70	39	128	356	21,3	94,2	4775	4,4	54	2916	7,3	67	58	3886	5,5
		2	29	29	95	286	17,1	75,6	2640	6,4	40	1660	10,7	50	43	2150	7,9
18	.71	3	44	34	112	350	21,0	92,6	3629	5,8	48	2304	9,1	58	51	2958	7,1
		4	56	38	125	404	24,2	106	4534	5,3	53	2809	8,6	66	57	3762	6,4
		5	70	42	138	452	27,1	119	5538	4,9	59	3481	7,8	72	63	4536	6,0
		2	29	31	102	354	21,2	93,6	3017	7,0	44	1936	10,9	53	46	2438	8,7
20	.78	3	44	36	115	432	25,9	114	4069	6,4	51	2601	9,9	62	54	3348	7,7
		4	56	40	128	501	30,0	132	5024	6,0	56	3136	9,6	69	60	4140	7,2
		5	70	44	141	560	33,6	148	6079	5,5	62	3844	8,7	76	66	5016	6,7
		3	44	37	122	522	31,3	138	4298	7,2	52	2704	11,6	64	55	3520	8,9
22	.86	4	56	42,5	140	604	36,2	159	5671	6,4	60	3600	10,1	73	64	4672	7,7
		5	70	45	148	676	40,5	178	6358	6,3	63	3969	10,2	77	67	5159	7,8
		6	85	48	158	741	44,4	196	7238	6,1	67	4489	9,9	83	72	5976	7,4
24	.95	3	44	38	125	623	37,3	164	4534	8,2	53	2809	13,2	66	57	3762	9,9
		4	56	44	145	720	43,2	190	6082	7,1	62	3844	11,2	76	66	5016	8,6
		5	70	48	157	806	48,3	213	7238	6,7	67	4489	10,7	83	72	5976	8,1
		6	85	51	168	882	52,9	233	8167	6,4	72	5184	10,2	88	76	6688	7,9



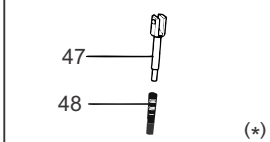
Pos.012 - Cod.10355



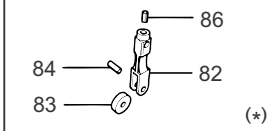
Pos.013 - Cod.10356



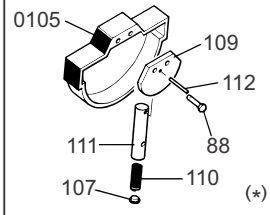
Pos.047 - Cod.10279



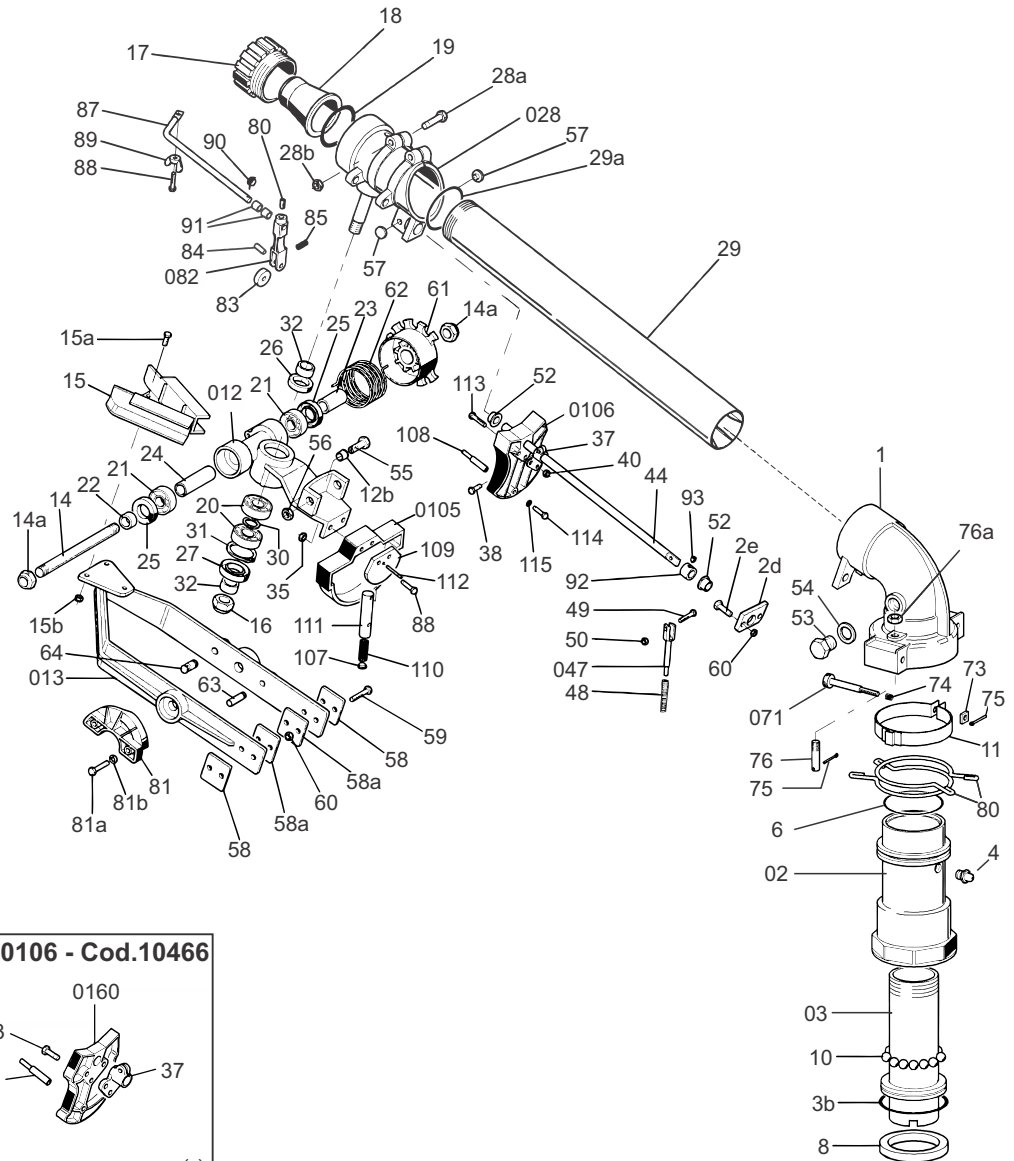
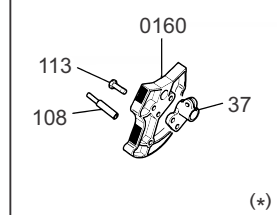
Pos.082 - Cod.10357



Pos.0105 - Cod.10489



Pos.0106 - Cod.10466



CODE N°	POSITION	PRICE
S10632	1	R3 693.16
S10383	02	R2 330.98
S3010530	2d	R99.22
S30513	2e	R8.50
S10228	03	R1 869.18
S30900	3b	R24.38
S30233	4	R9.44
S30987	6	R21.71
S30988	8	R99.71
S30048	10	R4.29
S30986	11	R392.93
S10355	012	R3 646.72
S3010333	12b	R97.28
S10356	013	R3 543.40
S3010302	14	R564.37
S30579	14a	R34.73
S3010303	15	R603.53
S30783	15a	R3.87
S30270	15b	R6.38
S3010304	16	R45.74
S30056	17	R139.16
S30063	18	R84.95
S30064	19	R11.60
S301002	20	R289.85
S30551	21	R260.28
S3010305	22	R139.16

CODE N°	POSITION	PRICE
S3010306	23	R171.70
S3010307	24	R186.83
S3010308	25	R117.25
S3010309	26	R73.45
S3010310	27	R76.54
S10358	028	R1 932.76
S30920	28a	R41.10
S3010480	28b	R5.67
S20218	29	R930.21
S30690	29a	R24.48
S3010314	30	R46.39
S301003	31	R21.26
S3010315	32	R159.78
S30513	34	R8.50
S30511	35	R6.38
S3010318	37	R374.89
S30783	38	R3.87
S30530	39	R8.50
S30270	40	R6.38
S3010319	41	R102.44
S3010320	42	R153.33
S30270	43	R6.38
S30532	43a	R6.38
S20219	44	R379.25

CODE N°	POSITION	PRICE
S10279	047	R592.71
S30510	48	R58.11
S30530	49	R8.50
S30270	50	R6.38
S3010324	52	R64.43
S30102	53	R64.43
S30103	54	R3.22
S30426	55	R15.59
S30475	56	R5.67
S3010325	57	R21.97
S3010326	58	R169.57
S3010350	58a	R167.78
S30443	59	R8.50
S30511	60	R6.38
S3010327	61	R253.71
S3010328	62	R164.28
S3010329	63	R88.91
S3010330	64	R137.23
S10364	071	R179.54
S3010205	73	R38.66
S30914	74	R10.31
S3010161	75	R12.24
S30930	76	R119.19
S30991	80	R249.12
S3010344	81	R258.35
S3010148	81a	R10.95
S30557	81b	R6.38

CODE N°	POSITION	PRICE
S10357	082	R603.53
S3010349	83	R56.69
S3010346	84	R22.49
S3010347	85	R13.68
S301084	86	R10.95
S20203	87	R267.37
S30459	88	R9.66
S30904	89	R39.32
S30492	90	R15.73
S30950	91	R36.46
S3010351	92	R67.65
S3010445	93	R7.09
S10489	0105	R1 154.80
S10466	0106	R1 094.02
S3010575	107	R60.56
S3010576	108	R85.04
S3010546	109	R32.86
S3010608	110	R42.52
S3010612	111	R170.08
S30910	112	R8.50
S3010441	113	R7.09
S3010462	114	R5.80
S30532	115	R6.38



# SIME RANGER

## 25° (FULL & PART CIRCLE)

**SIME RANGER** impact drive sprinkler is constructed with a heavy cast aluminum body, aluminum drive arm and brass lower turning union. Features include adjustable stops for full or part circle coverage, an adjustable jet breaker for changes stream pattern and a quick change nozzle setup all supported by a 3" female standard pipe thread connection.



### GUN

CODE	PRICE
RANGER	R21 000.00
<b>Set of nozzles included in price (Sizes 22mm, 24mm, 26mm &amp; 28mm)</b>	

### NOZZLES

CODE	PRICE
NZ-.....MM(SIME)	R180.00

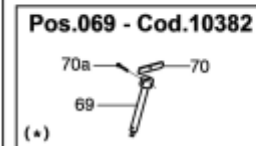
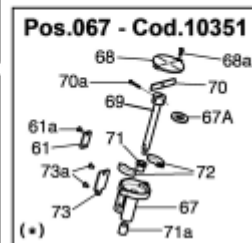
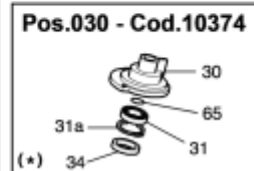
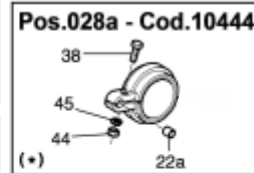
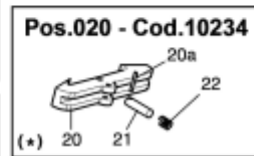
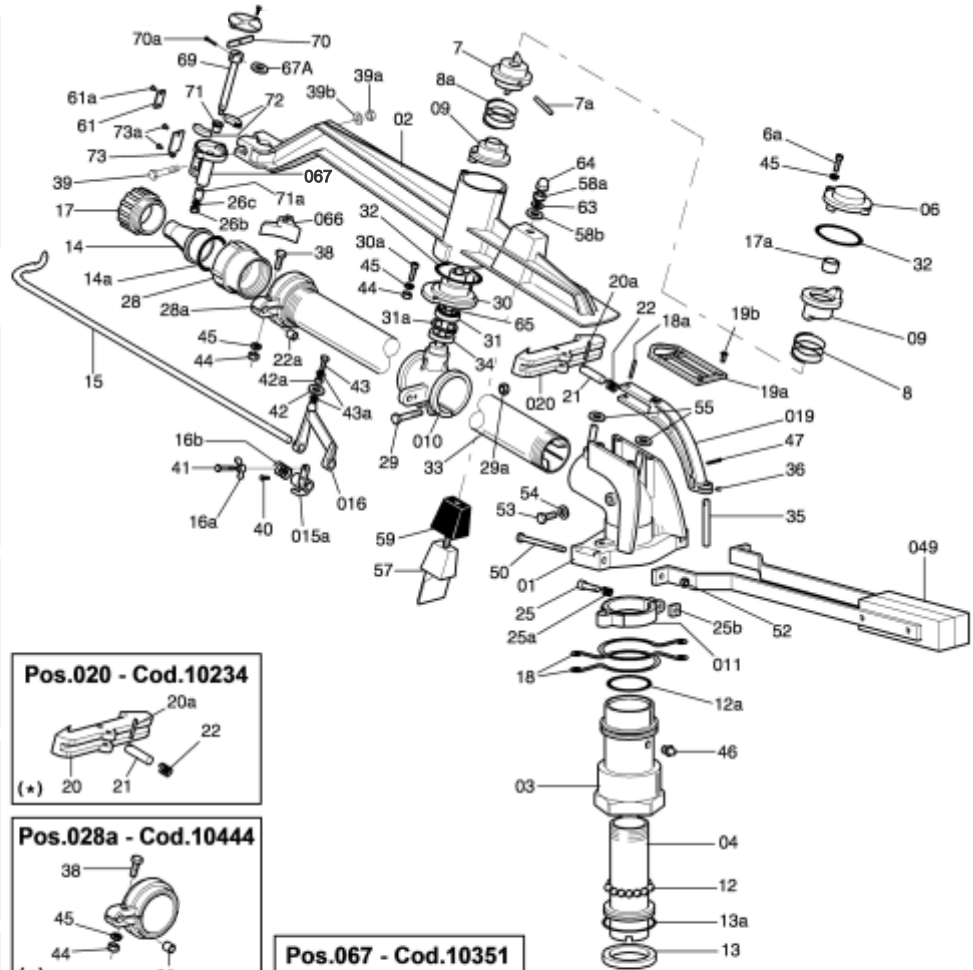
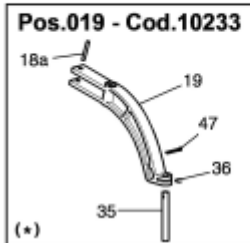
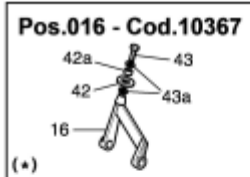
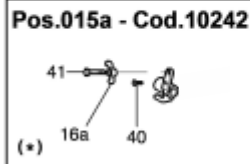
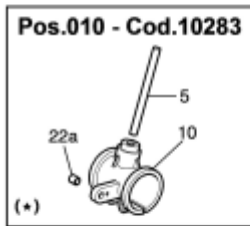
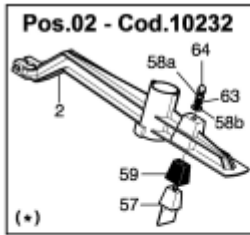
<b>FEM. CONNECTION SCREW</b>	inch	3"
<b>NET WEIGHT</b>	kg	10
<b>PACKAGING SIZE</b>	cm	107X28X33
<b>BOX QUANTITY</b>	each	1

### SPECIFICATIONS

U Nozzle diameter		P Pressure		G Jet Length		Q Capacity			Values for a single sprinkler	
									S Irrigated area	I Rainfall per hour
mm	inch	kg/cm <sup>2</sup>	lbs/inch	m	feet	l/min	m <sup>3</sup> /h	G.P.M.	m <sup>2</sup>	mm/h
22	.86	3	44	38,5	127	522	31,3	138	4654	6,7
		4	56	42,5	140	604	36,2	159	5671	6,4
		5	70	46,0	151	676	40,5	178	6644	6,1
		6	85	49,5	163	741	44,4	196	7693	5,8
24	.95	3	44	40,0	128	623	37,3	164	5024	7,4
		4	56	44,5	150	720	43,2	190	6217	6,9
		5	70	49,0	161	806	48,3	213	7539	6,4
		6	85	52,5	171	882	52,9	233	8654	6,1
26	1,02	3	44	41,0	135	732	43,9	193	5281	8,3
		4	56	46,0	151	846	50,7	223	6664	7,6
		5	70	50,0	164	946	56,7	250	7850	7,2
		6	85	54,0	177	1037	62,2	274	9156	6,8
28	1,10	3	44	43,0	141	848	50,9	224	5808	8,7
		4	56	48,0	157	981	58,8	259	7238	8,1
		5	70	52,0	170	1096	65,7	289	8494	7,7
		6	85	56,0	184	1202	72,1	317	9847	7,3
30	1,18	3	44	44,5	146	974	58,4	257	6217	9,4
		4	56	50,0	164	1127	67,6	297	7850	8,6
		5	70	54,0	177	1260	75,6	332	9156	8,2
		6	85	58,0	190	1381	82,8	364	10562	7,8
32	1,26	4	56	52,0	170	1282	76,9	337	8494	9,0
		5	70	56,0	184	1433	85,9	377	9847	8,7
		6	85	59,5	195	1570	94,2	413	11116	8,5
		7	100	63,0	207	1694	101,6	445	12462	8,1



## RANGER 25° SPARE PARTS



CODEN°	POSITION	PRICE
S10182	01	R3 832.00
S10232	02	R4 451.42
S10185	03	R2 630.93
S10186	04	R1 901.70
S10373	06	R614.84
S30889	6a	R8.65
S30890	7	R46.40
S30891	7a	R7.86
S30892	8	R128.69
S30893	8a	R139.41
S10187	09	R469.71
S10283	010	R857.91
S10184	011	R600.54
S30048	12	R4.29
S30900	12a	R24.38
S30901	13	R134.48
S30935	13a	R27.17
S30064	14a	R11.60
S10242	015a	R300.27
S20132	15	R221.63
S10367	016	R350.31
S30904	16a	R39.32
S30905	16b	R82.93

CODEN°	POSITION	PRICE
S30056	17	R139.16
S30936	17a	R28.60
S30906	18	R283.47
S30937	18a	R9.44
S10233	019	R511.17
S30908	19a	R263.81
S30938	19b	R4.29
S10234	020	R257.37
S30910	20a	R8.50
S30911	21	R92.94
S30912	22	R19.30
S30950	22a	R36.46
S30965	25	R20.06
S30914	25a	R10.31
S3010205	25b	R38.66
S30501	26b	R19.30
S30587	26c	R7.08
S10444	028a	R586.24
S301035	28	R1 073.06
S30920	29	R41.10
S30475	29a	R5.67
S10374	030	R800.72
S30922	30a	R12.15
S30465	31	R312.99
S30518	31a	R23.59

CODEN°	POSITION	PRICE
S3010352	31b	R366.76
S30923	32	R27.17
S20133	33	R1 304.67
S30022	34	R140.77
S30940	35	R39.32
S30941	36	R18.59
S30934	38	R6.43
S30942	39	R23.59
S30475	39a	R5.67
S30476	39b	R9.44
S30091	40	R6.29
S30513	41	R8.50
S30569	42	R37.18
S30960	42a	R42.90
S30443	43	R8.50
S30587	43a	R7.08
S30270	44	R6.38
S30532	45	R6.38
S30233	46	R9.44
S30492	47	R15.73
S10180	049	R1 083.18
S30926	50	R18.59
S30927	51	R23.59
S30475	52	R5.67
S30102	53	R64.43
S30103	54	R3.22

CODEN°	POSITION	PRICE
S30961	55	R24.38
S301026	57	R311.00
S30475	58a	R5.67
S301024	58b	R12.15
S301019	59	R68.63
S301020	61	R90.08
S301023	61a	R2.86
S30476	63	R9.44
S301028	64	R20.73
S301034	65	R8.51
S10352	066	R182.31
S10351	067	R1 672.93
S10382	069	R558.36
S20194	70	R201.61
S3010282	70a	R6.29
S3010291	71	R64.43
S3010283	71a	R84.93
S3010284	72	R36.46
S3010285	73	R187.95
S3010286	73a	R2.86

# SIME REFLEX



## 25° (FULL & PART CIRCLE)

**Sime Reflex** Impact Drive Sprinkler is constructed with a heavy cast aluminum body, aluminum drive arm and heavy duty lower turning union. Features include adjustable stops for full or part circle coverage (slow reverse in part circle mode), an adjustable jet breaker for changes stream pattern and a quick change nozzle setup all supported by a robust flanged base connection. ed by a 3" female standard pipe thread connection.



### GUN

CODE	PRICE
REFLEX	R21 900.00
<b>Set of nozzles included in price (Sizes 26mm, 28mm, 30mm, 32mm &amp; 34mm )</b>	

### NOZZLES

CODE	PRICE
NZ-.....MM(SIME)	R180.00

### FLANGE (80mm BSP)

CODE	SIZE	PRICE
SIMEFL-78X130	3"	R780.00

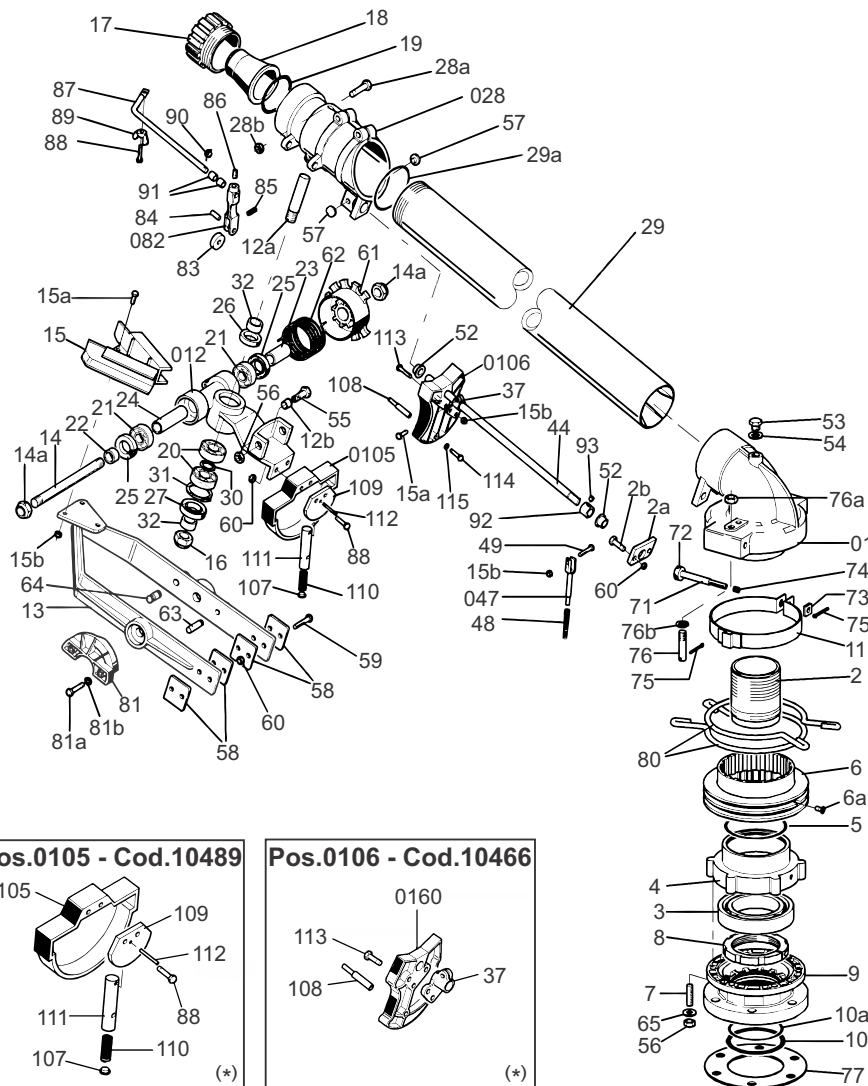
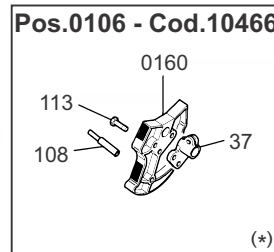
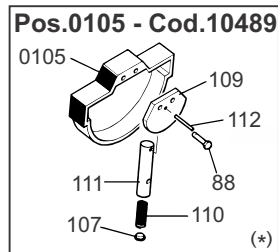
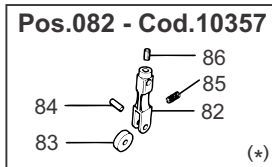
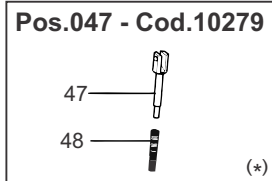
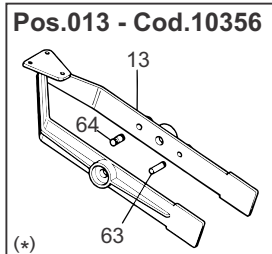
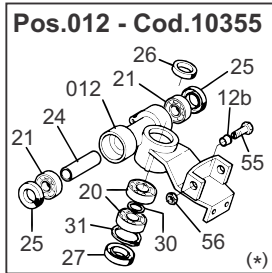
<b>FEM. CONNECTION SCREW</b>	inch	3"
<b>NET WEIGHT</b>	kg	10.5
<b>PACKAGING SIZE</b>	cm	107X28X33
<b>BOX QUANTITY</b>	each	1

## SPECIFICATIONS

U Nozzle diameter		P Pressure		G Jet Length		Q Capacity			Values for a single sprinkler	
									S Irrigated area	I Rainfall per hour
mm	inch	kg/cm <sup>2</sup>	lbs/inch	m	feet	l/min	m <sup>3</sup> /h	G.P.M.	m <sup>2</sup>	mm/h
26	1,02	3	44	41,0	135	732	43,9	193	5281	8,3
		4	56	46,0	151	846	50,7	223	6664	7,6
		5	70	50,0	164	946	56,7	250	7850	7,2
		6	85	54,0	177	1037	62,2	274	9156	6,8
28	1,10	3	44	43,0	141	848	50,9	224	5808	8,7
		4	56	48,0	157	981	58,8	259	7238	8,1
		5	70	52,0	170	1096	65,7	289	8494	7,7
		6	85	56,0	184	1202	72,1	317	9847	7,3
30	1,18	3	44	44,5	146	974	58,4	257	6217	9,4
		4	56	50,0	164	1127	67,6	297	7850	8,6
		5	70	54,0	177	1260	75,6	332	9156	8,2
		6	85	58,0	190	1381	82,8	364	10562	7,8
32	1,26	4	56	52,0	170	1282	76,9	337	8494	9,0
		5	70	56,0	184	1433	85,9	377	9847	8,7
		6	85	59,5	195	1570	94,2	413	11116	8,5
		7	100	63,0	207	1694	101,6	445	12462	8,1
34	1,34	4	56	54,0	177	1448	86,9	382	9156	9,5
		5	70	57,5	187	1619	97,1	427	10381	9,3
		6	85	61,0	202	1774	106,4	468	11683	9,1
		7	100	65,0	218	1913	114,8	505	13266	8,6



REFLEX 25° SPARE PARTS



CODE N°	POSITION	PRICE
S10528	01	R6 960.89
S3010530	2a	R99.22
S30513	2b	R8.50
S30455	3	R1 026.88
S10536	4	R2 212.95
S3010658	5	R67.65
S3010659	6	R863.30
S3010660	6a	R10.31
S30474	7	R85.04
S3010739	8	R1 030.81
S3010661	9	R1 314.28
S3010532	10	R23.84
S3010531	10a	R23.84
S3010122	11	R644.19
S10355	012	R3 646.72
S3010281	12	R1 390.26
S3010333	12b	R97.28

CODE N°	POSITION	PRICE
S10356	013	R3 543.40
S3010302	14	R564.37
S30579	14a	R34.73
S3010303	15	R603.53
S30783	15a	R3.87
S30270	15b	R6.38
S3010304	16	R45.74
S30056	17	R139.16
S30063	18	R75.85
S30064	19	R11.60
S301002	20	R289.85
S30551	21	R260.28
S3010305	22	R139.16
S3010306	23	R173.30
S3010307	24	R186.83
S3010308	25	R117.25
S3010309	26	R73.45
S3010310	27	R76.54
S10499	028	R2 171.32
S30926	28a	R18.59
S3010480	28b	R5.67
S20260	29	R1 219.71
S3010689	29a	R47.00
S3010314	30	R46.39
S301003	31	R21.26
S3010315	32	R159.78
S3010318	37	R374.89

CODE N°	POSITION	PRICE
S20261	44	R510.89
S10279	047	R592.71
S3010324	52	R64.43
S3010326	53	R64.43
S30103	54	R3.22
S30426	55	R15.59
S30475	56	R5.67
S3010325	57	R21.97
S3010326	58	R169.57
S30443	59	R8.50
S30511	60	R6.38
S3010327	61	R253.71
S3010328	62	R164.28
S3010329	63	R88.91
S3010330	64	R137.23
S30523	65	R6.38
S10281	071	R204.22
S3010205	73	R38.66
S30914	74	R10.31
S3010161	75	R12.24
S3010850	76	R119.19
S30429	76a	R9.66
S30438	76b	R8.50

CODE N°	POSITION	PRICE
S30471	77	R78.60
S3010109	80	R295.08
S3010344	81	R258.35
S3010148	81a	R10.95
S30557	81b	R6.38
S10357	082	R603.53
S3010349	83	R56.69
S3010346	84	R22.49
S3010347	85	R13.68
S301084	86	R10.95
S20203	87	R267.37
S30459	88	R9.66
S30904	89	R39.32
S30492	90	R15.73
S30950	91	R36.46
S3010351	92	R67.65
S3010445	93	R7.09
S10489	0105	R1 154.80
S10466	0106	R1 094.02
S3010575	107	R60.56
S3010576	108	R85.04
S3010546	109	R32.86
S3010608	110	R42.52
S3010612	111	R170.08
S30910	112	R8.50
S3010441	113	R7.09
S3010462	114	R5.80
S30532	115	R6.38



# SIME KRONOS

## 56° ÷ 16° (FULL & PART CIRCLE)

**SIME KRONOS** is a slow reverse sprinkler with variable jet-angle for middle or high capacity rotating at full or part circle. Suitable for watering machines or normal installations, particularly in wind swept land, fields with low electric air-lines a high voltage and for fertilization. It works without problems also slope wise.



### GUN

CODE	PRICE
KRONOS	R 29 000.00
<b>Set of nozzles included in price (Sizes 30mm, 32mm, 34mm, 36mm &amp; 38mm) and pressure gauge included in price</b>	

### NOZZLES

CODE	PRICE
NZ-.....(KRO/RAN)	R180.00

### FLANGE (80mm BSP)

CODE	SIZE	PRICE
SIMEFL-78X130	3"	R780.00

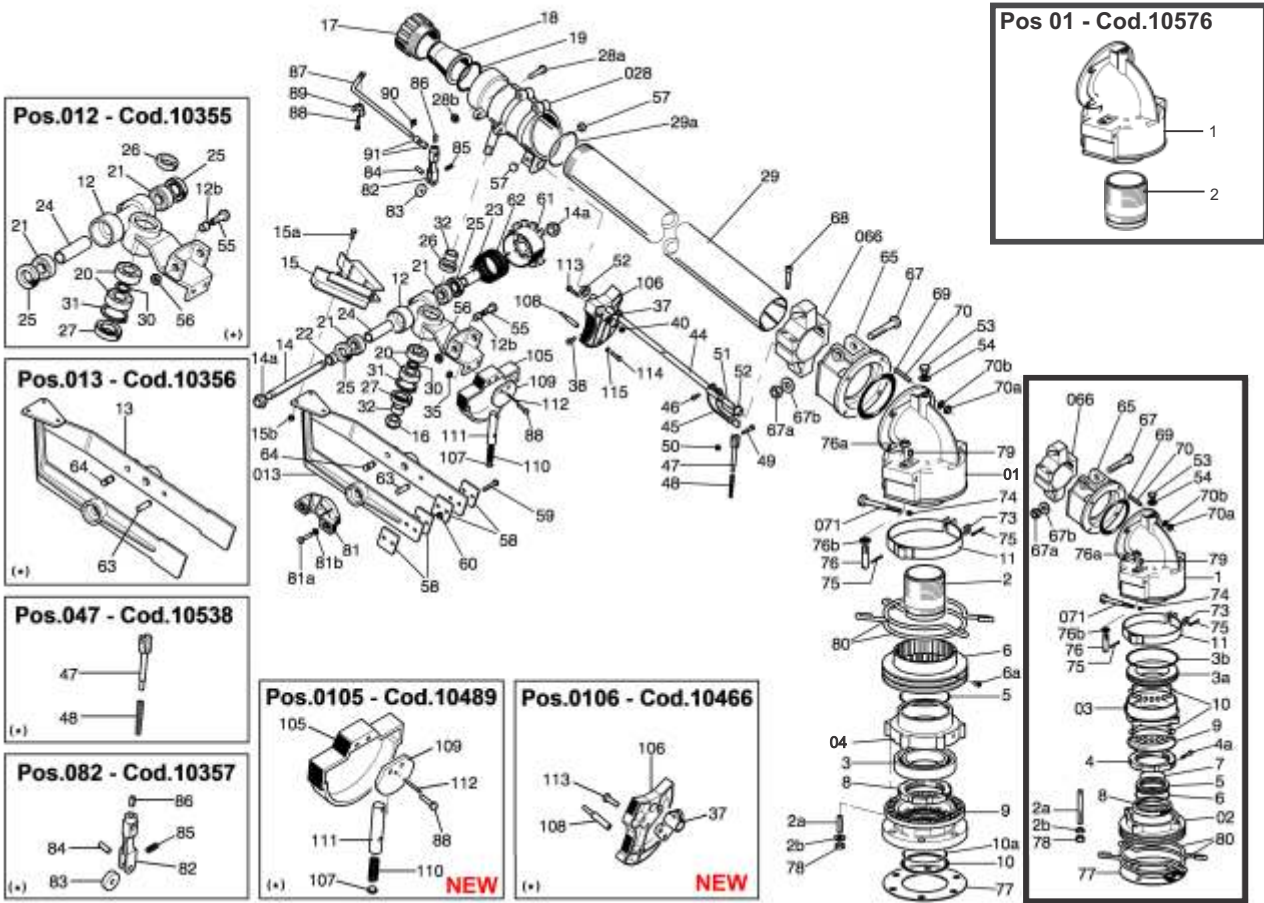
CONNECTION SIZE FLANGE	mm	80x157
NET WEIGHT	kg	12
PACKAGING SIZE	cm	123x28x33
HOLE CENTRE TO CENTRE	mm	130
BOX QUANTITY	each	1

## SPECIFICATIONS

U Nozzle diameter	P Pressure	G Jet Length		Q Capacity			Values for a single sprinkler		Square pattern for irrigators			Triangular pattern					
							S Irrigated area	I Rainfall per hour	D Distance of sprinklers on the pipeline	S Irrigated area	I Rainfall per hour	D Distance of sprinklers on the pipeline	D <sub>1</sub> Distance between 2 contiguous pipelines	S Irrigated area	I Rainfall per hour		
mm	inch	kg/cm <sup>2</sup>	lbs/inch	m	feet	l/min	m <sup>3</sup> /h	G.P.M.	m <sup>2</sup>	mm/h	m	m <sup>2</sup>	mm/h	m	m	m <sup>2</sup>	mm/h
30	1" <sub>16</sub>	3	44	48	157	974	58.4	257	7234	8.1	86	4128	14.2	83	72	5976	9.8
		4	56	52	170	1127	67.6	297	8490	7.9	93	4836	13.9	90	78	7020	9.6
		5	70	56	184	1260	75.6	332	9847	7.7	100	5600	13.5	96	84	8064	9.4
		6	85	60	196	1381	82.8	364	11304	7.4	108	6480	12.8	103	90	9270	8.9
32	1" <sub>4</sub>	4	56	54	177	1282	76.9	338	9156	8.4	97	5238	14.7	93	81	1733	10.2
		5	70	58	190	1433	85.9	378	10562	8.1	104	6032	14.3	100	87	8700	9.9
		6	85	62	202	1570	94.2	414	12070	7.8	111	6882	13.7	107	93	9951	9.5
		7	100	66	217	1694	101.6	447	13677	7.4	118	7788	13.1	114	99	11286	9.0
34	1" <sub>32</sub>	5	70	59	192	1619	97.1	427	10930	8.9	106	6254	15.5	102	88	8976	10.8
		6	85	64	210	1774	106.4	468	12861	8.3	115	7360	14.5	110	96	10560	10.1
		7	100	68	223	1913	114.8	505	14519	7.9	122	8296	13.8	117	102	11934	9.6
		8	115	72	236	2048	122.8	538	16277	7.5	129	9288	13.2	124	108	13392	9.2
36	1.42	5	70	61	199	1814	108.8	477	11683	9.3	109	6649	16.3	105	91	9555	11.4
		6	85	66	217	1988	119.3	523	13677	8.7	118	7788	15.3	114	99	11286	10.6
		7	100	70	229	2144	128.6	564	15386	8.4	126	8820	14.6	121	105	12705	10.1
		8	115	74	242	2295	137.7	603	17194	8.4	133	9842	14.0	128	111	14208	9.7
38	1.5	5	70	63	206	2022	212.3	532	12462	9.7	113	7119	17.0	108	94	10152	12.0
		6	85	68	223	2216	132.9	583	14519	9.2	122	8296	16.0	117	102	11934	11.2
		7	100	72	236	2390	143.4	628	16277	8.8	129	9288	15.4	124	108	13392	10.7
		8	115	76	249	2558	153.5	673	18136	8.5	136	10336	14.8	131	114	14934	10.3
40	1.57	5	70	65	213	2240	134.4	589	13266	10.1	117	7605	17.7	112	97	10864	12.4
		6	85	69	226	2455	147.3	646	14949	9.9	124	8556	17.2	119	103	12257	12.0
		7	100	73	239	2648	158.9	696	16733	9.5	131	9563	16.6	126	109	13734	11.6
		8	115	78	255	2834	170.0	745	19103	8.9	140	10920	15.6	134	117	15678	10.8



KRONOS 46° ÷ 16° SPARE PARTS



CODEN°	POSITION	PRICE
S10576	01	R8 022.79
S3010312	1 - old	R4 574.21
S10363	02 - old	R1762.00
S30474	2a	R85.04
S3010113	2a - old	R85.09
S30523	2b	R6.38
S30116	2b - old	R3.95
S30455	3	R1 026.88
S10344	03 - old	R1 952.09
S3010115	3a - old	R1 389.01
S301067	3b - old	R28.35
S10536	04	R2 212.95
S3010116	4 - old	R1 003.10
S301014	4a - old	R12.24
S3010658	5	R67.65
S3010117	5 - old	R845.91
S3010659	6	R863.30
S3010123	6 - old	R36.14
S3010660	6a	R10.31
S30946	7 - old	R29.76
S3010739	8	R1 030.81
S3010179	8 - old	R141.03
S3010661	9	R1 314.28
S3010134	9 - old	R644.90
S3010532	10	R23.84
S30048	10 - old	R4.29
S3010531	10a	R23.84
S3010122	11	R644.19
S10355	012	R3 646.72
S3010333	12b	R97.28
S10356	013	R3 543.40
S3010302	14	R564.37
S30579	14a	R34.73
S3010303	15	R603.53
S30783	15a	R3.87
S30270	15b	R 6.38
S3010304	16	R 45.74

CODEN°	POSITION	PRICE
S30056	17	R139.16
S30064	19	R11.60
S301002	20	R289.85
S30551	21	R260.28
S3010305	22	R139.16
S3010306	23	R173.30
S3010307	24	R186.83
S3010308	25	R117.25
S3010309	26	R73.45
S3010310	27	R76.54
S10359	028	R2 190.47
S30926	28a	R18.59
S3010480	28b	R5.67
S20198	29	R1 298.23
S3010313	29a	R52.83
S3010314	30	R46.39
S301003	31	R21.26
S3010315	32	R159.78
S10438	033 - old	R850.90
S30511	35	R6.38
S10439	036 - old	R911.68
S3010318	37	R374.89
S30783	38	R3.87
S30530	39 - old	R8.50
S30270	40	R6.38
S3010319	41 - old	R102.44
S3010320	42 - old	R153.33
S30270	43 - old	R6.38
S30532	43a - old	R6.38
S20268	44	R531.51
S20199	44 - old	R495.37
S3010759	45	R708.68
S3010322	45 - old	R708.68
S30783	46	R3.87
S10538	047	R592.71
S10279	047 - old	R592.71

CODEN°	POSITION	PRICE
S3010773	48	R61.20
S30510	48 - old	R58.11
S30530	49	R8.50
S30270	50	R6.38
S3010323	51	R145.60
S3010324	52	R64.43
S30102	53	R64.43
S30103	54	R3.22
S30426	55	R15.59
S30475	56	R5.67
S3010325	57	R21.97
S3010326	58	R169.57
S30443	59	R8.50
S30511	60	R6.38
S3010327	61	R253.71
S3010328	62	R164.28
S3010329	63	R88.91
S3010330	64	R137.23
S3010756	65	R2 061.61
S3010172	65 - old	R1 990.81
S10521	066	R1 929.54
S10361	066 - old	R1 749.15
S3010757	66	R1 549.43
S3010321	66 - old	R1 489.65
S3010174	67	R40.59
S3010175	67a	R35.43
S30438	67b	R8.50
S3010176	68	R26.41
S3010758	69	R190.06
S3010177	69 - old	R135.36
S3010269	70	R85.04
S30475	70a	R5.67
S30523	70b	R6.38
S10281	071	R204.22
S3010205	73	R38.66
S30914	74	R10.31
S3010161	75	R12.24
S3010850	76	R119.19

CODEN°	POSITION	PRICE
S3010332	76 - old	R119.06
S30429	76a	R9.66
S30438	76b	R8.50
S30471	77	R78.60
S3010170	77 - old	R78.66
S30475	78	R5.67
S30121	78 - old	R6.38
S30724	79	R6.38
S3010109	80	R295.08
S3010344	81	R258.35
S3010148	81a	R10.95
S30557	81b	R6.38
S10357	082	R603.53
S3010349	83	R56.69
S3010346	84	R22.49
S3010347	85	R13.68
S301084	86	R10.95
S20203	87	R267.37
S30459	88	R9.66
S30904	89	R39.32
S30492	90	R15.73
S30950	91	R36.46
S3010590	100 - old	R90.20
S10487	0102 - old	R2 196.91
S10489	0105 - NEW	R1 154.80
S3010547	106	R326.08
S10466	0106 - NEW	R1 094.02
S3010575	107	R60.56
S3010576	108	R85.04
S3010546	109	R32.86
S3010608	110	R42.52
S3010612	111	R170.08
S30910	112	R8.50
S3010441	113	R7.09
S3010462	114	R5.80
S30532	115	R6.38

