

SIME GUNS



SIME GUNS

SIME GUNS Pg. 128 - 145



SIME GUNS

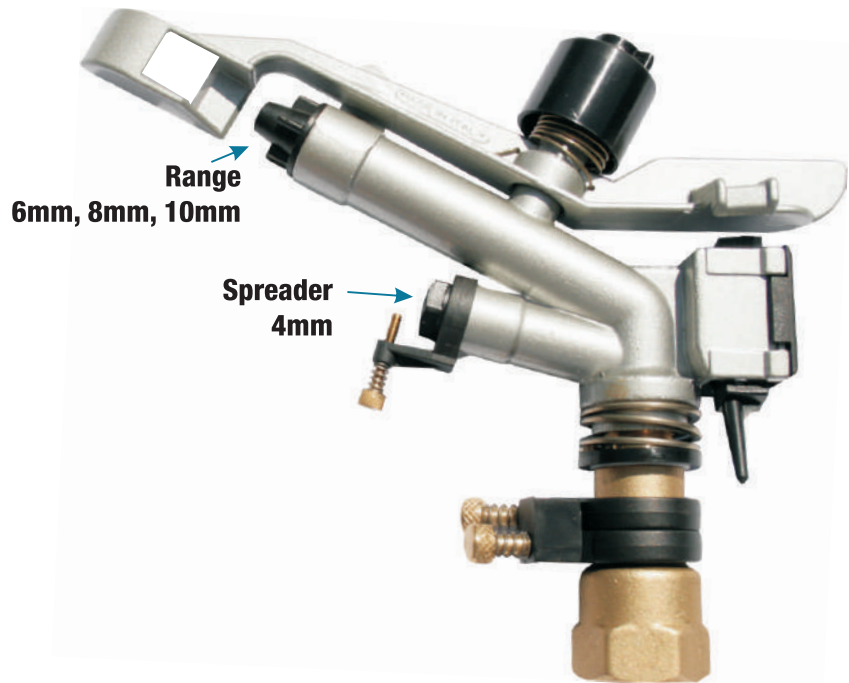
SIME IBIS



UNRIVALED
QUALITY
VERSATILITY

(FULL & PART CIRCLE)

SIME IBIS impact drive sprinkler is constructed with a heavy cast aluminum body, aluminum drive arm and brass lower turning union. Features include adjustable stops for full or part circle coverage, an adjustable jet breaker for changes stream pattern and a quick change nozzle setup all supported by a 1" female standard pipe thread connection. The Ibis is a dual port sprinkler with a secondary stream nozzle located just on the underside of the main barrel to cover close and intermediate ranges.



GUN

CODE	PRICE
SIME IBIS	R1 470.00
Set of nozzles included in price (Sizes 6mm, 8mm & 10mm)	

NOZZLES

CODE	PRICE
NZ-..... SIZE?(IBIS)	R40.00
NZ- 4mm (IBIS/JOLLY)	R30.00

FEM. CONNECTION SCREW	inch	1"
NET WEIGHT	kg	0.76
PACKAGING SIZE	cm	57x28x26
BOX QUANTITY	each	20

SPECIFICATIONS

U Nozzle diameter	P Pressure	G Jet Length	Q Capacity	● Values for a single sprinkler		■ Square pattern for irrigators			▲ Triangular pattern				
				S Irrigated area	I Rainfall per hour	D Distance of sprinklers on the pipeline	S Irrigated area	I Rainfall per hour	D Distance of sprinklers on the pipeline	D ₁ Distance between 2 contiguous pipelines	S Irrigated area	I Rainfall per hour	
mm	atm	m	l/min	m ³ /h	m ²	mm/h	m	m ²	mm/h	m	m	m ²	mm/h
4 & 6	1.5	13	40	2.4	530	4.5	18	324	7.4	22	19	418	5.7
	2	15	46	2.8	706	4.0	21	441	6.4	25	22	550	5.1
	3	17	56	3.4	907	3.7	24	576	5.9	29	25	725	4.7
	4	18	65	3.9	1017	3.8	25	625	6.2	31	27	837	4.6
	5	23	161	9.7	1661	5.8	32	1024	9.5	39	34	1326	7.3
4 & 8	1.5	14.5	61	3.7	660	5.6	20	400	9.2	25	21	525	7
	2	16.5	71	4.3	854	5.0	23	529	8.1	28	24	627	6.4
	3	18	86	5.2	1017	5.1	25	625	8.3	31	27	837	6.2
	4	19	100	6.0	1134	5.3	26	676	8.9	32	28	989	6.1
4 & 10	2	17	102	6.1	907	6.7	24	576	10.6	29	25	725	8.4
	3	19.5	124	7.4	1193	6.2	27	729	10.2	33	29	957	7.7
	4	21	144	8.6	1385	6.2	29	841	10.2	36	31	1116	7.7

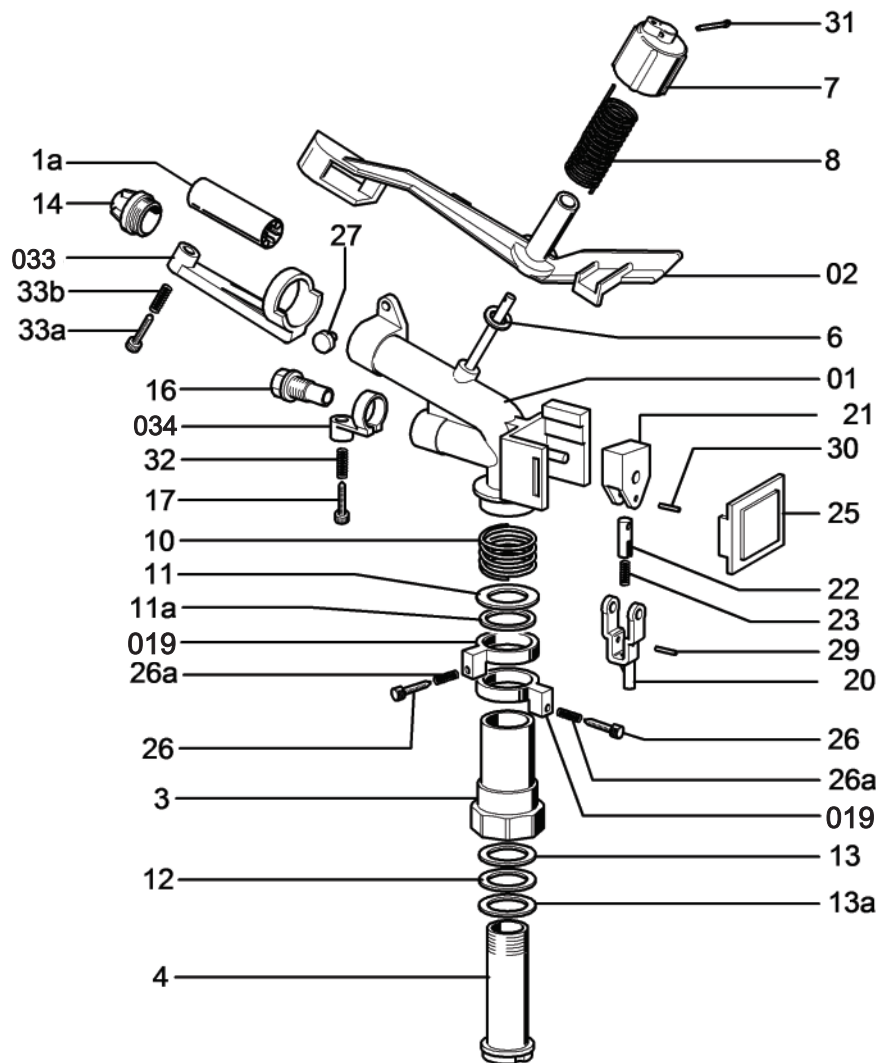
UNRIVALED
QUALITY
VERSATILITY



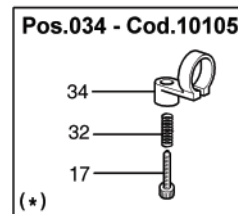
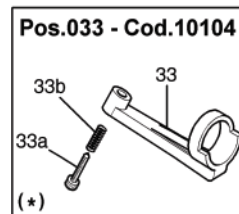
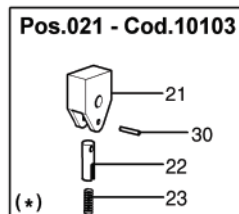
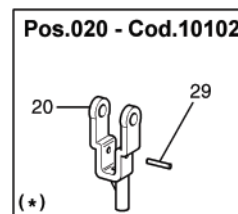
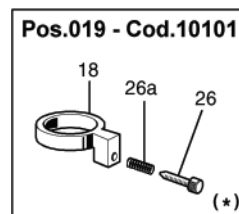
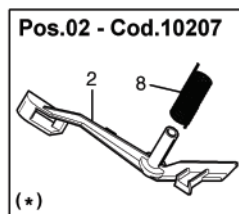
SIME GUNS

SIME IBIS

IBIS SPARE PARTS



CODE N°	POSITION	PRICE
S10206	01	R404.90
S30291	1a	R30.76
S10207	02	R307.60
S30293	3	R354.68
S30294	4	R263.66
S30296	6	R8.16
S30334	7	R40.80
S30335	8	R31.39
S30300	10	R47.08
S30301	11	R13.18
S30302	11a	R15.07
S30303	12	R13.81
S30304	13	R7.53
S30305	13a	R16.95
S30336	17	R29.50
S10101	019	R128.69
S10102	020	R47.08
S10103	021	R84.75
S30313	22	R24.48
S30314	23	R5.65
S30316	25	R29.50
S30317	26	R53.36
S30325	26a	R7.53
S30319	27	R7.53
S30324	31	R5.65
S30337	32	R6.28
S10104	033	R134.97
S30308	33a	R53.36
S30325	33b	R7.53
S10105	034	R72.19



SIME GUNS

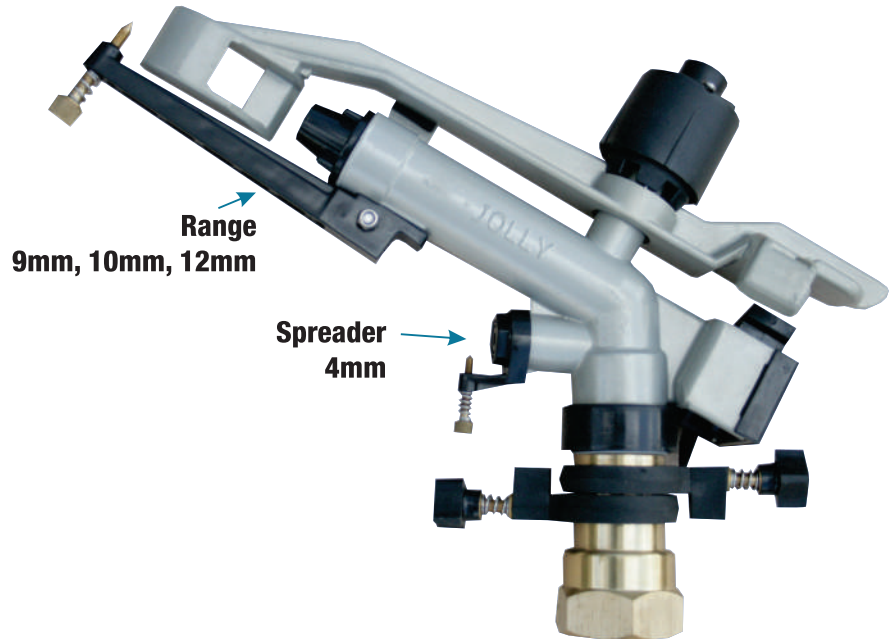
SIME JOLLY



UNRIVALED
QUALITY
VERSATILITY

(FULL & PART CIRCLE)

SIME JOLLY impact drive sprinkler is constructed with a heavy cast aluminum body, aluminum drive arm and brass lower turning union. Features include adjustable stops for full or part circle coverage, an adjustable jet breaker for changes stream pattern and a quick change nozzle setup all supported by a 1 1/4" female standard pipe thread connection. The Jolly is a dual port sprinkler with a secondary stream nozzle located just on the underside of the main barrel to cover close and intermediate ranges.



GUN

CODE	PRICE
SIME JOLLY	R2 145.00
Set of nozzles included in price (Sizes 9mm, 10mm & 12mm)	

NOZZLES

CODE	PRICE
NZ-.....(JOLLY)	R50.00
NZ- 4mm (IBIS/JOLLY)	R30.00

FEM. CONNECTION SCREW	inch	1.1/4"
NET WEIGHT	kg	1.28
PACKAGING SIZE	cm	57X28X26
BOX QUANTITY	each	16

SPECIFICATIONS

U Nozzle diameter	P Pressure	G Jet Length	Q Capacity	● Values for a single sprinkler		■ Square pattern for irrigators			▲ Triangular pattern				
				S Irrigated area	I Rainfall per hour	D Distance of sprinklers on the pipeline	S Irrigated area	I Rainfall per hour	D Distance of sprinklers on the pipeline	D ₁ Distance between 2 contiguous pipelines	S Irrigated area	I Rainfall per hour	
mm	atm	m	l/min	m ²	mm/h	m	m ²	mm/h	m	m	m ²	m	
8 4	1,5	16,5	62	3,7	855	4,3	23	529	7,0	28	24	672	5,5
	2,0	17,5	71	4,2	962	4,4	24	576	7,3	30	26	780	5,4
	3,0	19,5	87	5,2	1194	4,3	27	729	7,1	33	29	957	5,4
	4,0	21	100	6,0	1384	4,3	29	841	7,1	36	31	1116	5,4
9 4	1,5	17	76	4,5	908	4,9	24	576	7,8	29	25	725	6,2
	2,0	18	88	5,3	1017	5,2	25	625	8,5	31	27	837	6,3
	3,0	20	107	6,4	1256	5,0	28	784	8,2	34	30	1020	6,3
	4,0	21,5	124	7,4	1451	5,0	30	900	8,2	37	32	1184	6,2
10 4	2,0	19	106	6,4	1134	5,6	26	676	9,5	32	28	896	7,1
	3,0	21	130	7,8	1384	5,6	29	841	9,3	36	31	1116	7,0
	4,0	22,5	151	9,0	1590	5,7	32	1024	8,8	39	34	1326	6,8
	5,0	23,5	170	10,2	1734	5,9	33	1089	9,3	40	35	1400	7,3
12 4	2,0	21	149	8,9	1384	6,4	29	841	10,6	36	31	1116	8,0
	3,0	23,5	182	10,9	1734	6,3	33	1089	10,0	40	35	1400	7,8
	4,0	26	211	12,6	2123	5,9	36	1296	9,7	44	39	1716	7,3
	5,0	28	236	14,2	2461	5,8	39	1521	9,3	48	42	2016	7,0
14 4	2,0	22,5	197	11,8	1590	7,4	32	1024	11,5	39	34	1326	8,9
	3,0	24	241	14,4	1809	7,9	33	1089	13,2	41	36	1476	9,7
	4,0	27	278	16,7	2289	7,2	38	1444	11,6	46	40	1840	9,1
	5,0	29	311	18,6	2640	7,0	40	1600	11,6	50	43	2150	8,6

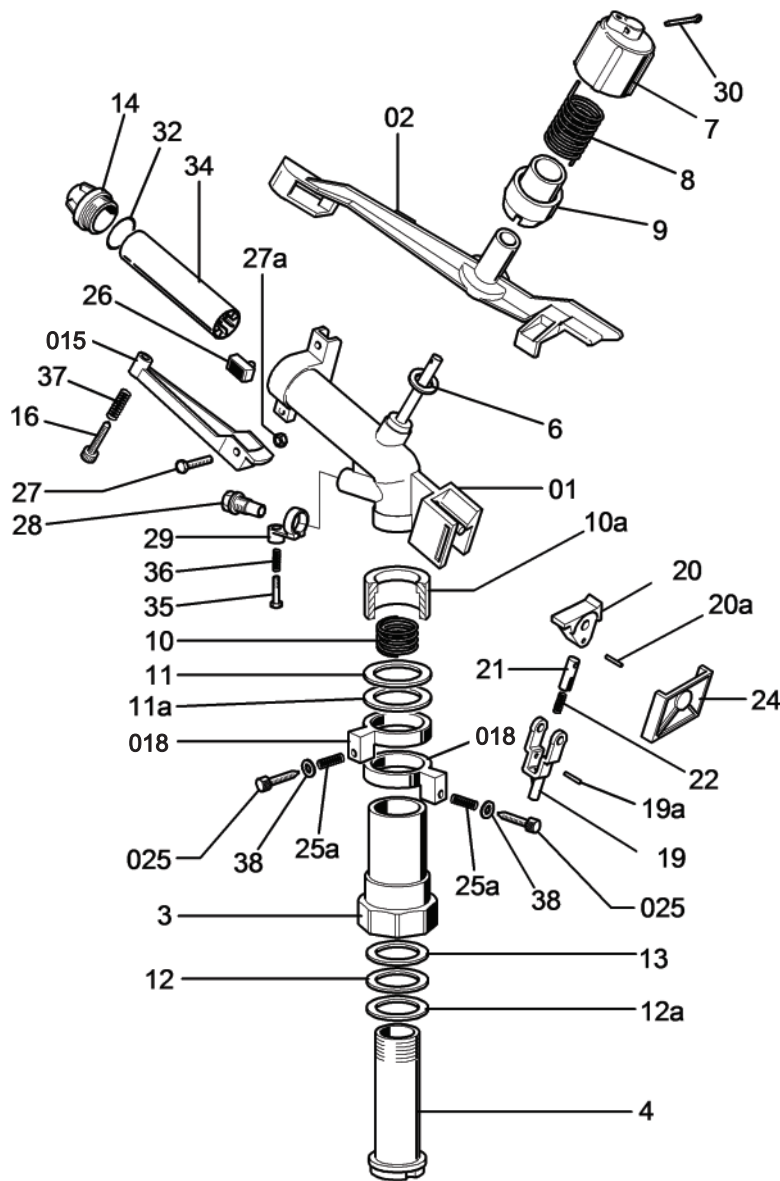
UNRIVALED
QUALITY
VERSATILITY



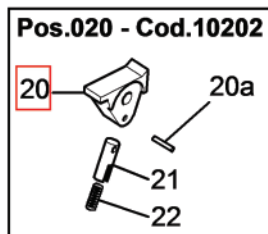
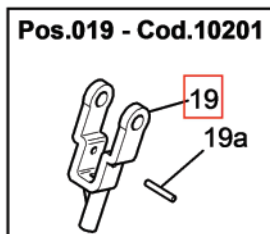
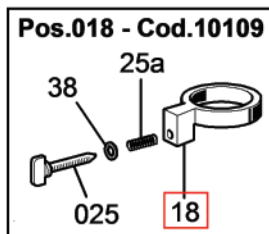
SIME GUNS

SIME JOLLY

JOLLY SPARE PARTS



CODE N°	POSITION	PRICE
S10200	01	R492.79
S10243	02	R411.18
S30344	3	R473.95
S30345	4	R376.65
S30347	6	R9.42
S30348	7	R75.33
S30349	8	R47.08
S30350	9	R56.50
S30300	10	R47.08
S30351	10a	R23.23
S30352	11	R13.18
S30354	11a	R21.34
S30354	12	R21.34
S30355	12a	R26.99
S30356	13	R10.04
S10108	015	R178.91
S30359	16	R59.64
S10109	018	R182.05
S10201	019	R78.47
S10202	020	R119.27
S30704	21	R13.18
S30366	22	R6.28
S30368	24	R59.64
S10429	025	R78.47
S30325	25a	R7.53
S30369	26	R8.16
S30370	27	R8.16
S30321	27a	R5.65
S10105	029	R72.19
S30371	30	R6.91
S30372	32	R8.16
S30373	34	R72.19
S30336	35	R29.50
S30337	36	R6.28
S30374	37	R8.79
S3010183	38	R4.39



SIME GUNS

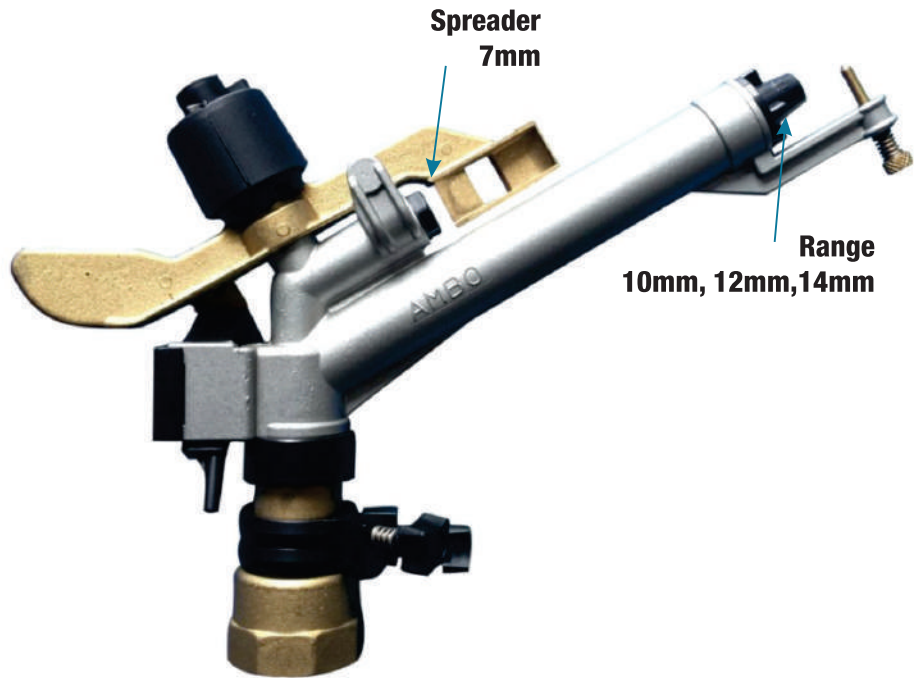
SIME AMBO



UNRIVALED
QUALITY
VERSATILITY

(FULL & PART CIRCLE)

SIME AMBO impact drive sprinkler is constructed with a heavy cast aluminum body, brass drive arm and brass lower turning union. Features include adjustable stops for full or part circle coverage, an adjustable jet breaker for changes stream pattern and a quick change nozzle setup all supported by a 1 1/2" female standard pipe thread connection.



GUN

CODE	PRICE
SIME AMBO	R2 636.00
Set of nozzles included in price (Sizes 10mm, 12mm & 14mm)	

NOZZLES

CODE	PRICE
NZ-.....(AMBO)	R50.00
NZ- 7mm (AMBO)	R30.00

FEM. CONNECTION SCREW	inch	1 1/2"
NET WEIGHT	kg	1.53
PACKAGING SIZE	cm	57X28X26
BOX QUANTITY	each	16

SPECIFICATIONS

U Nozzle diameter	P Pressure	G Jet Length	Q Capacity	● Values for a single sprinkler		■ Square pattern for irrigators			▲ Triangular pattern				
				S Irrigated area	I Rainfall per hour	D Distance of sprinklers on the pipeline	S Irrigated area	I Rainfall per hour	D Distance of sprinklers on the pipeline	D ₁ Distance between 2 contiguous pipelines	S Irrigated area	I Rainfall per hour	
mm	atm	m	l/min	m ³ /h	m ²	mm/h	m	m ²	mm/h	m	m	m ²	m
7	1,5	16	86	5,1	804	6,3	22	484	10,5	27	24	648	7,9
	2	17,5	99	5,9	962	6,1	24	576	10,2	30	26	780	7,5
	3	19,5	121	7,2	1194	6,0	27	729	9,9	33	29	957	7,5
8	4	21	140	8,4	1384	6,0	29	841	9,9	36	31	1116	7,5
	2	18	130	7,8	1017	7,6	25	625	12,4	31	27	837	9,3
	3	21	159	9,5	1384	6,9	29	841	11,3	36	31	1116	8,5
10	4	23	184	11,0	1662	6,6	32	1024	10,7	39	34	1326	8,3
	5	24,5	207	12,4	1884	6,5	34	1156	10,7	42	36	1512	8,2
	2	19,5	169	10,1	1194	8,5	27	729	13,8	33	29	957	10,5
7	3	22	207	12,4	1520	8,1	31	961	12,9	38	33	1254	9,9
	4	25	239	14,3	1962	7,3	35	1225	11,7	43	37	1591	9,0
	5	27,5	269	16,1	2374	6,8	38	1444	11,1	47	41	1927	8,3
7	2	20,5	215	12,9	1319	9,8	29	841	15,3	35	30	1050	12,3
	3	23,5	264	15,8	1734	9,1	33	1089	14,5	40	35	1400	11,3
	4	26	305	18,3	2123	8,6	36	1296	14,1	44	39	1716	10,6
7	5	28,5	342	20,5	2550	8,0	40	1600	12,8	49	42	2058	10,0
	2	21	267	16,0	1384	11,5	29	841	19,0	36	31	1116	14,3
	3	24	328	19,6	1809	10,8	33	1089	18,0	41	36	1476	13,2
16	4	26,5	379	22,7	2205	10,3	37	1369	16,6	45	39	1755	12,9
	5	29	414	24,8	2640	9,4	41	1681	14,7	50	43	2150	11,5

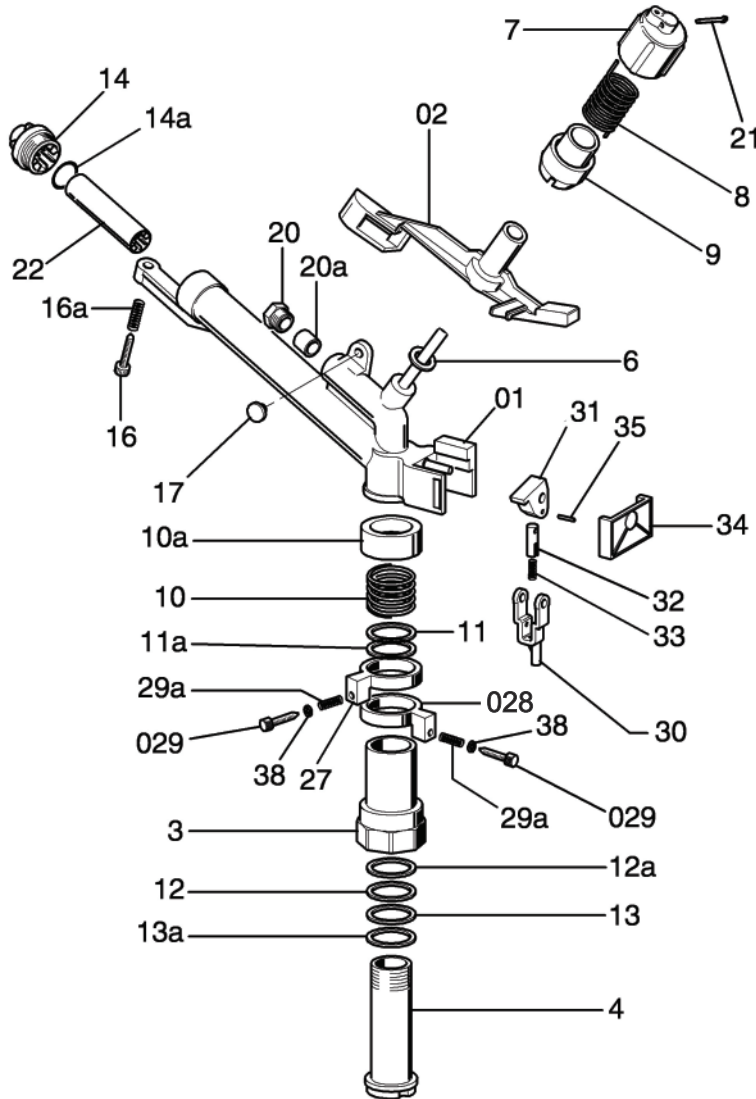
UNRIVALED
QUALITY
VERSATILITY



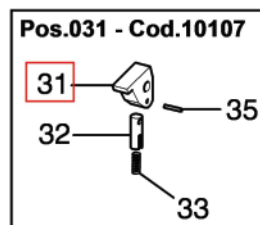
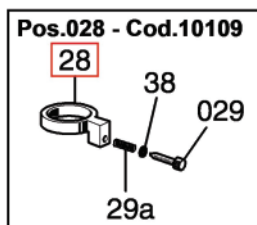
SIME GUNS

SIME AMBO

AMBO SPARE PARTS



CODE N°	POSITION	PRICE
S10237	01	R703.08
S10369	02	R640.31
S30329	3	R558.70
S30345	4	R376.65
S30347	6	R9.42
S30348	7	R75.33
S30349	8	R47.08
S30350	9	R56.50
S30300	10	R47.08
S30351	10a	R23.23
S30352	11	R13.18
S30354	11a	R21.34
S30354	12	R21.34
S30355	12a	R26.99
S20172	13	R29.50
S30356	13a	R10.04
S30372	14a	R50.22
S30359	16	R8.16
S30374	16a	R8.79
S30330	17	R7.53
S30371	21	R6.91
S30383	22	R75.33
S10109	028	R182.05
S10429	029	R78.47
S30325	29a	R7.53
S30362	030	R78.47
S10107	031	R119.27
S30365	32	R30.13
S30366	33	R6.28
S30368	34	R59.64
S3010183	38	R4.39



SIME GUNS

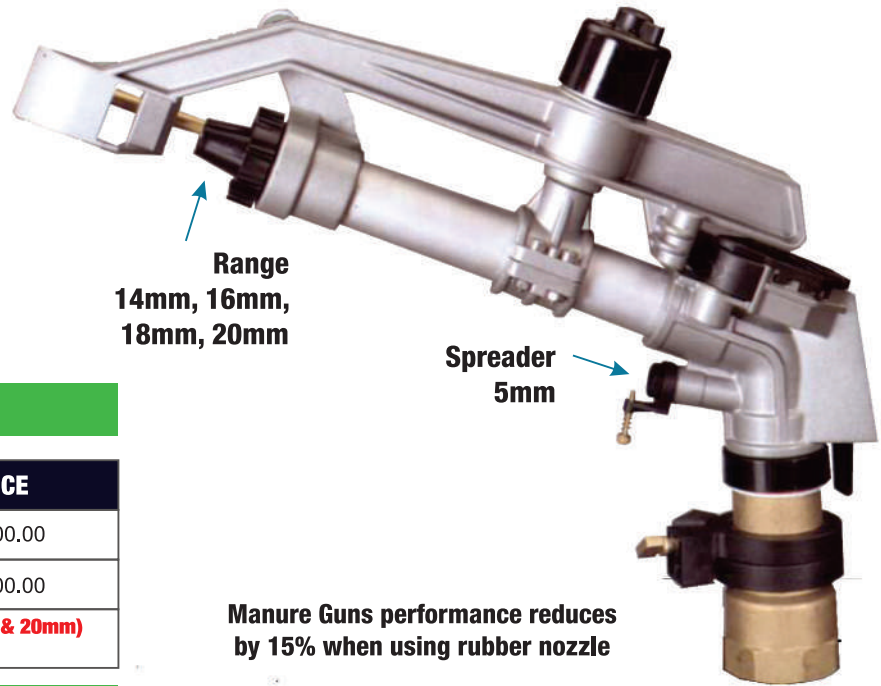
SIME SENIOR



UNRIVALED
QUALITY
VERSATILITY

(FULL & PART CIRCLE)

SIME SENIOR impact drive sprinkler is constructed with a heavy cast aluminum body, aluminum drive arm and brass lower turning union. Features include adjustable stops for full or part circle coverage, an adjustable jet breaker for changes stream pattern and a quick change nozzle setup all supported by a 2" female standard pipe thread connection. The Senior is a dual port sprinkler with a secondary stream nozzle located just on the underside of the main barrel to cover close and intermediate ranges.



GUN

CODE	PRICE
SIME SENIOR (MANURE GUN) <i>No vains inside</i>	R7 400.00
SIME SENIOR (I) (IRRIGATION) <i>Vains inside</i>	R7 300.00
Set of nozzles included in price (Sizes 14mm, 16mm,18mm & 20mm) and rubber nozzle for Manure Gun	

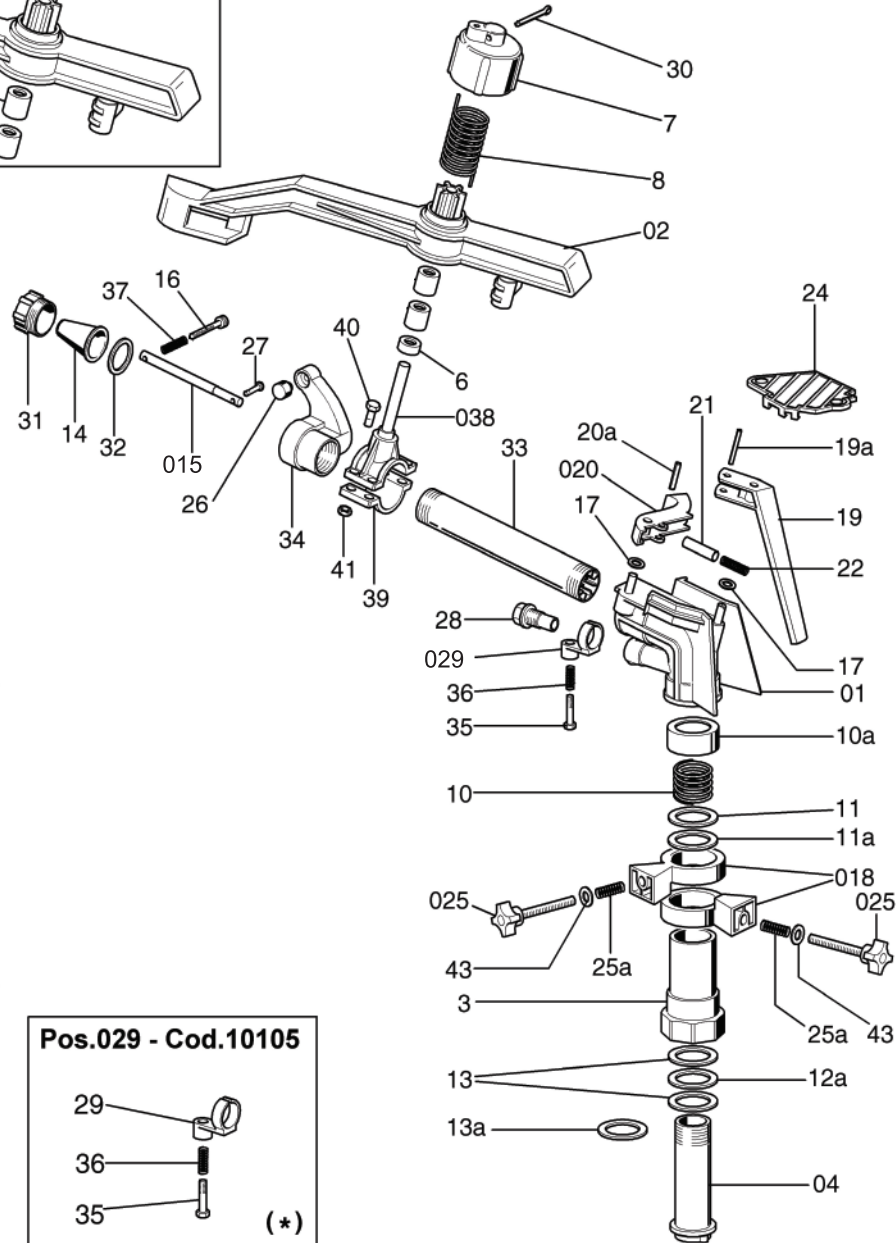
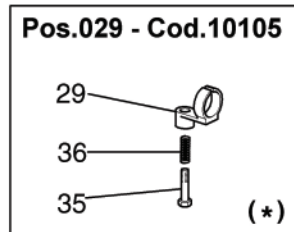
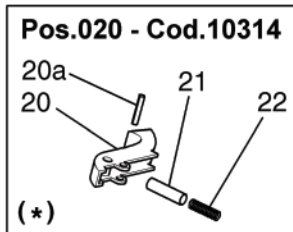
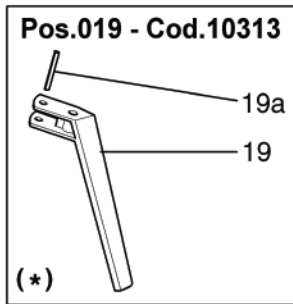
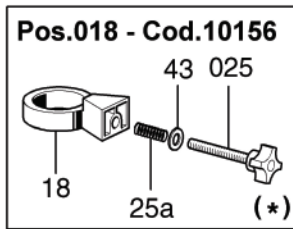
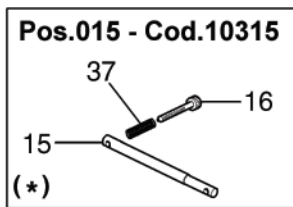
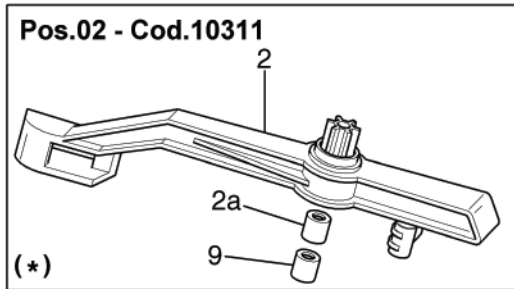
NOZZLES

CODE	PRICE
NZ-.....(SENIOR)	R100.00
NZ- 5mm (SENIOR)	R30.00
NZ- RUBBER	R120.00

FEM. CONNECTION SCREW	inch	2"
NET WEIGHT	kg	3.8
PACKAGING SIZE	cm	57X27X38
BOX QUANTITY	each	1

SPECIFICATIONS

U Nozzle diameter	P Pressure		G Jet Length		Q Capacity			Values for a single sprinkler		Square pattern for irrigators			Triangular pattern				
								S Irrigated area	I Rainfall per hour	D	S	I	D	D ₁	S	I	
mm	inch	kg/cm ²	lbs/inch	m	feet	l/min	m ³ /h	G.P.M.	m ²	mm/h	m	m ²	mm/h	m	m	m ²	mm/h
12 & 5	.47 .20	1.5	22	19	62	130	7.8	34.3	1133	6.9	27	729	10.0	33	28	924	8.4
		2	29	22	72	152	9.4	40.2	1520	6.0	31	961	9.5	38	33	1254	7.3
		3	44	24	78	182	10.9	48.1	1808	6.0	33	1089	10.0	41	36	1476	7.3
		4	56	27	88	211	12.6	55.0	2289	5.6	38	1444	8.8	46	40	1840	6.9
14 & 5	.55 .20	2	29	23	75	195	11.7	51.5	1661	7.0	32	1024	11.0	40	34	1360	8.6
		3	44	28	91	239	14.3	63.2	2461	5.8	39	1521	9.4	48	42	2016	7.1
		4	56	31	101	277	16.6	73.2	3017	5.5	34	1849	9.0	53	46	2438	6.8
		5	70	34	111	309	18.5	81.7	3631	5.1	48	2304	8.0	59	51	3009	6.2
16 & 5	.63 .20	2	29	24	78	247	14.8	65.3	1808	8.2	33	1089	13.0	41	36	1476	10.0
		3	44	30	98	303	18.2	80.1	2826	6.4	42	1764	10.0	52	45	2340	7.8
		4	56	34	111	351	21.0	92.8	3631	5.8	48	2304	9.1	59	51	3009	7.0
		5	70	36	118	391	23.4	103	4069	5.7	51	2601	9.0	62	54	3348	7.0
18 & 5	.71 .20	2	29	24	78	309	18.5	81.7	1808	10.2	33	1089	17.0	41	36	1476	12.0
		3	44	32	105	378	22.7	100	3215	7.0	45	2025	11.2	55	48	2640	8.6
		4	56	35	115	436	26.2	115	3846	6.8	49	2401	10.8	60	52	3120	8.4
		5	70	38	125	487	29.2	128	4354	6.5	53	2809	10.2	65	57	3705	7.9
20 & 5	.78 .20	2	29	25	82	376	22.5	99.4	1962	11.4	35	1225	18.0	46	37	1591	14.0
		3	44	33	100	460	27.6	121	3419	8.0	46	2116	13.0	57	49	2793	10.1
		4	56	37	122	532	31.9	140	4298	7.4	52	2704	11.8	64	55	3520	9.1
		5	70	41	135	594	35.6	157	5281	6.8	57	3249	11.0	70	61	4270	8.4



CODEN°	POSITION	PRICE
S10310	01	R1 412.45
S10311	02	R1 224.12
S30793	3	R1 349.67
S10179	04	R1 443.83
S20195	6	R69.05
S3010188	7	R97.30
S3010189	8	R134.97
S3010274	10	R109.86
S30803	10a	R29.50
S30804	11	R34.53
S30805	11a	R31.39

CODEN°	POSITION	PRICE
S30805	12a	R31.39
S30804	13	R34.53
S3010496	13a	R23.23
S10315	015	R241.69
S30359	16	R59.64
S301010	17	R29.50
S10156	018	R295.04
S30811	18	R160.08
S10313	019	R160.08
S10314	020	R238.55

CODEN°	POSITION	PRICE
S30997	21	R94.16
S301016	22	R23.23
S3010193	24	R37.67
S10430	025	R113.00
S30821	25a	R14.44
S3010194	26	R37.67
S10105	029	R72.19
S30371	30	R6.91
S30211	31	R56.50

CODEN°	POSITION	PRICE
S30567	32	R10.04
S20181	33	R662.28
S3010195	34	R282.49
S30336	35	R29.50
S30337	36	R6.28
S30374	37	R8.79
S10312	038	R301.32
S3010197	39	R144.38
S30500	40	R10.04
S30511	41	R7.53
S3010182	43	R4.39

SIME GUNS

SIME WING



UNRIVALED
QUALITY
VERSATILITY

18° (FULL & PART CIRCLE)

SIME WING impact drive sprinkler is constructed with a heavy cast aluminum body, aluminum drive arm and brass lower turning union. Features include adjustable stops for full or part circle coverage and a quick change nozzle setup all supported by a 2" female standard pipe thread connection.



**PIVOT
END GUN**

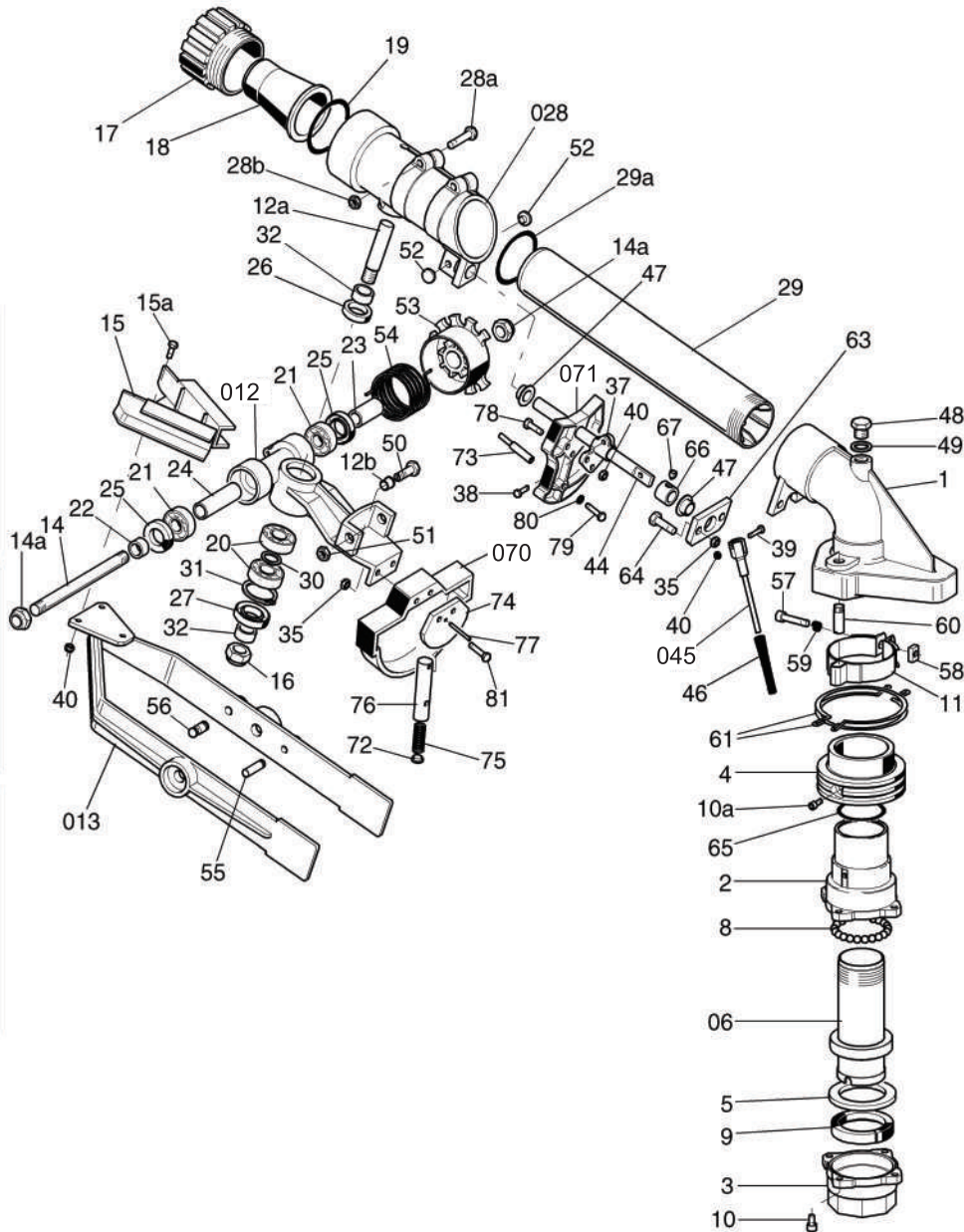
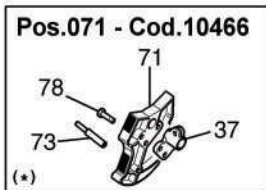
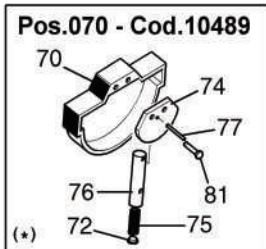
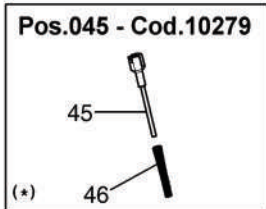
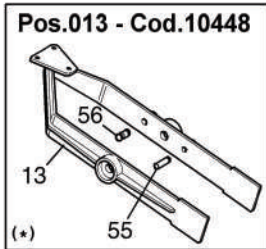
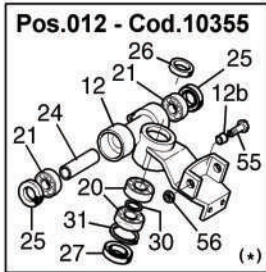
GUN	
CODE	PRICE
SIME WING	R18 632.00
Set of nozzles included in price (Sizes 12mm, 14mm, 16mm, 18mm & 20mm)	

NOZZLES	
CODE	PRICE
NZ-.....MM(SIME)	R180.00

FEM. CONNECTION SCREW	inch	2"
NET WEIGHT	kg	5.8
PACKAGING SIZE	cm	84X26X24
BOX QUANTITY	each	1

SPECIFICATIONS

U Nozzle diameter	P Pressure	G Jet Length	Q Capacity	Values for a single sprinkler		Square pattern for irrigators			Triangular pattern								
				S Irrigated area	I Rainfall per hour	D Distance of sprinklers on the pipeline	S Irrigated area	I Rainfall per hour	D Distance of sprinklers on the pipeline	D ₁ Distance between 2 contiguous pipelines	S Irrigated area	I Rainfall per hour					
mm	inch	kg/cm ²	lbs/inch	m	feet	l/min	m ³ /h	G.P.M.	m ²	mm/h	m	m ²	mm/h	m	m	m ²	mm/h
12	.47	2	29	22	72	127	7.6	33.5	1519	5.0	32	1024	7.4	22	39	858	8.8
		3	44	25.5	83.6	155	9.3	40.9	2041	4.5	36	1296	7.2	25.5	46	1173	7.9
		4	56	29	95	179	10.7	47.3	2640	4.0	40	1600	6.7	29	52	1508	7.1
		5	70	32	105	202	12.1	53.3	3217	3.7	45	2025	6.0	32	57	1824	6.6
14	.55	2	29	24	78.7	174	10.4	45.9	1808	5.7	34	1156	9.0	24	43	1032	10.0
		3	44	29	95	212	12.7	56.0	2640	4.8	40	1600	7.9	29	52	1508	8.4
		4	56	32	105	245	14.7	64.7	3217	4.6	45	1025	7.3	32	57	1824	8.0
16	.63	5	70	35.5	116	274	16.4	72.4	3957	4.2	50	2500	6.6	35.5	64	2272	7.2
		2	29	25	82	226	13.5	59.7	1962	6.8	35	1225	11.0	25	45	1125	12.0
		3	44	30.5	100	376	16.5	72.9	2921	5.7	43	1849	8.9	30.5	55	1677	9.8
18	.71	4	56	34.5	113	320	19.2	84.5	3737	5.1	49	2401	8.0	34.5	62	2139	9.0
		5	70	37.5	123	356	21.3	94.0	4415	4.8	53	2809	7.6	37.5	67	2512	8.5
		2	29	26.5	87	286	17.1	75.5	2205	7.7	37	1369	12.5	26.5	48	1272	13.4
20	.78	3	44	32	105	350	21.0	92.4	3217	6.5	45	2025	10.4	32	57	1824	11.5
		4	56	36.5	119.7	404	24.2	106.7	4183	5.8	51	2601	9.3	36.5	66	2409	10.0
		5	70	40	131	452	27.1	119.4	5024	5.4	56	3136	8.6	40	72	2880	9.4
		3	44	33	108	432	25.9	114.1	3419	7.6	46	2116	12.2	33	59	1947	13.3
22	.86	4	56	37.5	123	501	30.0	132.3	4415	6.8	53	2809	10.7	37.5	67	2512	12.0
		5	70	41	134.5	560	33.6	147.9	5278	6.4	58	3364	10.0	41	73	2993	11.2
		6	85	44.5	146	613	36.8	161.9	6218	5.9	63	3969	9.3	44.5	80	3560	10.3
		3	44	34	111	522	31.3	137.9	3629	8.6	48	2304	13.6	34	61	2074	15.1
24	.95	4	56	39.5	129.6	604	36.2	159.5	4899	7.4	55	3025	12.0	39.5	71	2804	12.9
		5	70	43.5	142.7	676	40.5	178.6	5941	6.8	61	3721	10.9	43.5	78	3383	11.9
		6	85	47.5	155.8	741	44.4	195.7	7084	6.5	67	4489	9.9	47.5	85	4037	11.0
		4	56	40.5	132.8	720	43.2	190.2	5150	8.4	57	3249	13.3	40.5	73	2956	14.6
24	.95	5	70	45.5	149	806	48.3	212.1	6500	7.4	64	4096	11.8	45.5	82	3731	12.9
		6	85	49.5	162	882	52.9	233.0	7693	6.9	70	4900	10.8	49.5	89	3405	12.0
		7	100	52	170.6	952	57.1	251.5	8490	6.7	73	5329	10.7	52	94	4888	11.7



CODEN°	POSITION	PRICE
S10450	01	R3 672.36
S3010455	2	R1 663.55
S3010457	3	R1 035.79
S3010456	4	R408.04
S30688	5	R241.69
S10447	06	R1 349.67
S3010458	8	R5.65
S3010459	9	R116.13
S3010465	10	R14.44
S3010462	10a	R6.91
S30986	011	R382.93
S10355	012	R3 954.85
S3010333	12b	R116.13
S10448	013	R3 515.42
S3010302	14	R662.28
S30579	14a	R40.80
S3010461	15	R684.25
S30783	15a	R5.65
S3010304	16	R53.36
S30056	17	R163.22

CODEN°	POSITION	PRICE
S30064	19	R13.81
S301002	20	R338.99
S30551	21	R304.46
S3010305	22	R163.22
S3010306	23	R204.02
S3010307	24	R219.71
S3010308	25	R138.11
S3010309	26	R84.75
S3010310	27	R87.89
S10358	028	R2 259.91
S30920	28a	R47.08
S3010480	28b	R6.91
S20232	29	R913.38
S30690	29a	R29.50
S3010314	30	R53.36
S301003	31	R25.11
S3010315	32	R185.19
S30511	35	R7.53

CODEN°	POSITION	PRICE
S3010318	37	R439.43
S30783	38	R5.65
S30270	40	R7.53
S20233	44	R411.18
S10279	045	R693.67
S30510	46	R69.05
S3010324	47	R75.33
S30102	48	R75.33
S30103	49	R4.39
S30426	50	R18.20
S30475	51	R6.91
S3010325	52	R25.74
S3010327	53	R298.18
S3010463	54	R175.77
S30965	57	R23.85
S3010205	58	R43.94

CODEN°	POSITION	PRICE
S30914	59	R12.56
S30930	60	R138.11
S30906	61	R332.71
S3010530	63	R116.13
S30443	64	R10.04
S3010466	65	R23.23
S3010351	66	R78.47
S3010445	67	R8.16
S10489	070	R1 349.67
S10466	071	R1 286.90
S3010575	72	R72.19
S3010576	73	R97.30
S3010546	74	R37.67
S3010645	75	R50.22
S3010612	76	R200.88
S30910	77	R10.04
S3010441	78	R8.16
S3010462	79	R6.91
S30532	80	R7.53
S30459	81	R11.93

SIME GUNS

SIME ROYAL



UNRIVALED
QUALITY
VERSATILITY

25° (FULL & PART CIRCLE)

Sime Royal Impact Drive Sprinkler is constructed with a heavy cast aluminum body, aluminum drive arm and brass lower turning union. Features include adjustable jet stops for full or part circle coverage, an adjustable jet breaker for changes stream pattern and a quick change nozzle setup all supported by a 2½" female standard pipe thread connection.



GUN

CODE	PRICE
SIME ROYAL	R20 225.00
Set of nozzles included in price (Sizes 14mm, 16mm, 18mm, 20mm, 22mm & 24mm)	

NOZZLES

CODE	PRICE
NZ-.....MM(SIME)	R180.00

FEM. CONNECTION SCREW	inch	2½"
NET WEIGHT	kg	7.8
PACKAGING SIZE	cm	84X26X24
BOX QUANTITY	each	1

SPECIFICATIONS

U Nozzle diameter	P Pressure		G Jet Length		Q Capacity			Values for a single sprinkler		Square pattern for irrigators			Triangular pattern				
								S Irrigated area	I Rainfall per hour	D	S	I	D	D ₁	S	I	
mm	inch	kg/cm ²	lbs/inch	m	feet	l/min	m ³ /h	G.P.M.	m ²	mm/h	m	m ²	mm/h	m	m	m ²	mm/h
12	.47	1,5	22	22	72	110	6,6	29,0	1519	4,3	32	1024	6,5	39	33	1287	5,1
		2	29	24	79	127	7,6	33,5	1808	4,2	34	1156	6,5	41	36	1476	5,1
		3	44	28	92	155	9,3	41,0	2461	3,8	38	1444	6,4	48	42	2016	4,6
		4	56	31,5	103	179	10,7	47,3	3115	3,4	44	1936	5,5	54	47	2538	4,2
14	.55	1,5	22	23	75	150	9,0	39,6	1662	5,4	32	1024	8,8	39	34	1236	6,8
		2	29	25,5	84	174	10,4	46,0	2041	5,1	36	1296	8,0	44	38	1672	6,5
		3	44	30	98	212	12,7	56,1	2826	4,5	42	1764	7,2	52	45	2340	5,4
16	.63	4	56	33,5	110	245	14,7	64,8	3523	4,2	47	2209	6,6	58	50	2900	5,0
		2	29	27	89	226	13,5	59,8	2289	5,8	38	1444	9,3	46	40	1840	7,3
		3	44	32	105	276	16,5	73,0	3217	5,1	45	2025	8,2	55	48	2640	6,3
		4	56	36	118	320	19,2	84,6	4069	4,7	50	2500	7,7	62	54	3348	5,7
18	.71	5	70	39	128	356	21,3	94,2	4775	4,4	54	2916	7,3	67	58	3886	5,5
		2	29	29	95	286	17,1	75,6	2640	6,4	40	1660	10,7	50	43	2150	7,9
		3	44	34	112	350	21,0	92,6	3629	5,8	48	2304	9,1	58	51	2958	7,1
20	.78	4	56	38	125	404	24,2	106	4534	5,3	53	2809	8,6	66	57	3762	6,4
		5	70	42	138	452	27,1	119	5538	4,9	59	3481	7,8	72	63	4536	6,0
		2	29	31	102	354	21,2	93,6	3017	7,0	44	1936	10,9	53	46	2438	8,7
		3	44	36	115	432	25,9	114	4069	6,4	51	2601	9,9	62	54	3348	7,7
22	.86	4	56	40	128	501	30,0	132	5024	6,0	56	3136	9,6	69	60	4140	7,2
		5	70	44	141	560	33,6	148	6079	5,5	62	3844	8,7	76	66	5016	6,7
		3	44	37	122	522	31,3	138	4298	7,2	52	2704	11,6	64	55	3520	8,9
		4	56	42,5	140	604	36,2	159	5671	6,4	60	3600	10,1	73	64	4672	7,7
24	.95	5	70	45	148	676	40,5	178	6358	6,3	63	3969	10,2	77	67	5159	7,8
		6	85	48	158	741	44,4	196	7238	6,1	67	4489	9,9	83	72	5976	7,4
		3	44	38	125	623	37,3	164	4534	8,2	53	2809	13,2	66	57	3762	9,9
		4	56	44	145	720	43,2	190	6082	7,1	62	3844	11,2	76	66	5016	8,6
24	.95	5	70	48	157	806	48,3	213	7238	6,7	67	4489	10,7	83	72	5976	8,1
		6	85	51	168	882	52,9	233	8167	6,4	72	5184	10,2	88	76	6688	7,9

UNRIVALED
QUALITY
VERSATILITY

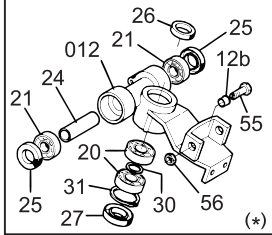


SIME GUNS

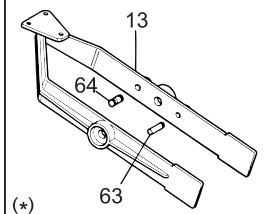
SIME ROYAL

ROYAL SPARE PARTS

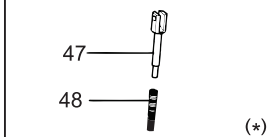
Pos.012 - Cod.10355



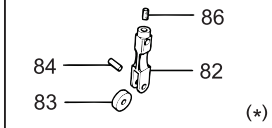
Pos.013 - Cod.10356



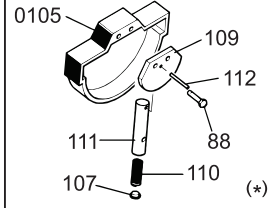
Pos.047 - Cod.10279



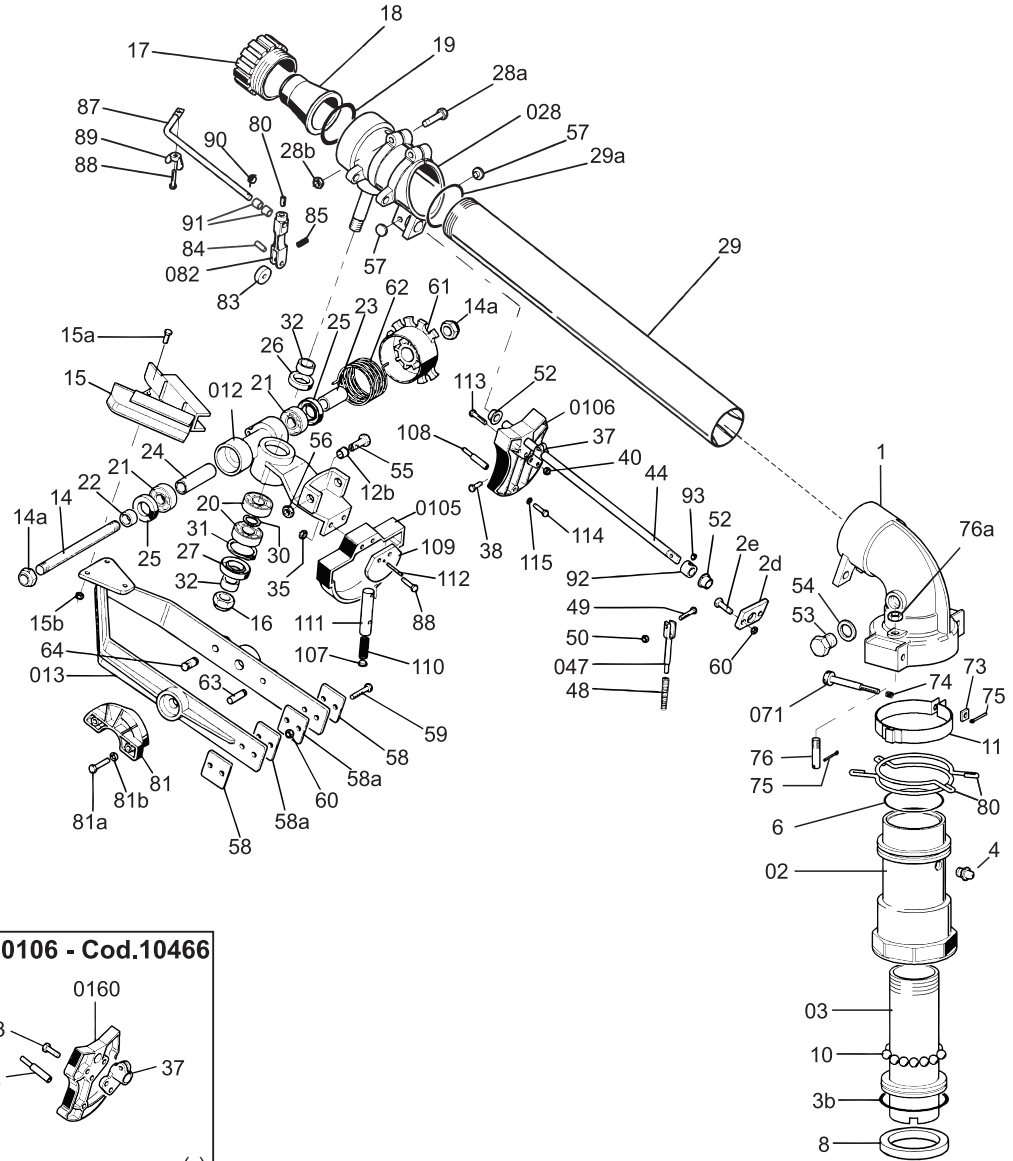
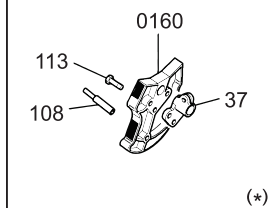
Pos.082 - Cod.10357



Pos.0105 - Cod.10489



Pos.0106 - Cod.10466



CODE N°	POSITION	PRICE
S10632	1	R3 481.18
S10383	02	R2 482.48
S3010530	2e	R105.58
S30513	2e	R9.13
S10228	03	R1 426.71
S30900	3b	R23.40
S30233	4	R9.13
S30987	6	R23.40
S30988	8	R108.43
S30048	10	R5.14
S30986	11	R348.12
S10355	012	R3 595.32
S3010333	12b	R105.58
S10356	013	R3 481.18
S3010302	14	R602.07
S30579	14a	R37.09
S3010303	15	R644.87
S30783	15a	R5.14
S30270	15b	R6.85
S3010304	16	R48.51
S30056	17	R148.38
S30063	18	R91.31
S30064	19	R12.56
S301002	20	R308.17
S30551	21	R276.78
S3010305	22	R148.38

CODE N°	POSITION	PRICE
S3010306	23	R185.47
S3010307	24	R199.74
S3010308	25	R125.55
S3010309	26	R77.04
S3010310	27	R79.90
S10358	028	R2 054.47
S30920	28a	R42.80
S3010480	28b	R6.28
S20218	29	R884.56
S30690	29a	R26.82
S3010314	30	R48.51
S301003	31	R22.83
S3010315	32	R168.35
S30511	35	R6.85
S3010318	37	R399.48
S30783	38	R5.14
S30530	39	R9.13
S30270	40	R6.85
S30270	43	R6.85
S20219	44	R408.04

CODE N°	POSITION	PRICE
S10279	047	R693.67
S30510	48	R62.78
S30530	49	R9.13
S30270	50	R6.85
S3010324	52	R68.48
S30102	53	R68.48
S30103	54	R3.99
S30426	55	R16.55
S30475	56	R6.28
S3010325	57	R23.40
S3010326	58	R182.62
S3010350	58a	R179.77
S30511	60	R6.85
S3010327	61	R271.08
S3010328	62	R176.91
S10364	071	R194.03
S3010205	73	R39.95
S30914	74	R11.41
S3010161	75	R13.13
S30930	76	R125.55
S30991	80	R268.22
S3010344	81	R273.93
S3010148	81a	R11.98
S30557	81b	R6.85

CODE N°	POSITION	PRICE
S10357	082	R644.87
S3010349	83	R62.78
S3010346	84	R23.97
S3010347	85	R14.84
S301084	86	R11.98
S20203	87	R282.49
S30459	88	R10.84
S30904	89	R37.09
S30492	90	R15.41
S30950	91	R34.24
S3010351	92	R71.34
S3010445	93	R7.42
S10489	0105	R1 226.97
S10466	0106	R1 169.90
S3010575	107	R65.63
S3010576	108	R88.46
S3010546	109	R34.24
S3010612	111	R182.62
S30910	112	R9.13
S3010441	113	R7.42
S3010462	114	R6.28
S30532	115	R6.85

SIME GUNS

SIME RANGER



UNRIVALED
QUALITY
VERSATILITY

25° (FULL & PART CIRCLE)

SIME RANGER impact drive sprinkler is constructed with a heavy cast aluminum body, aluminum drive arm and brass lower turning union. Features include adjustable stops for full or part circle coverage, an adjustable jet breaker for changes stream pattern and a quick change nozzle setup all supported by a 3" female standard pipe thread connection.



GUN

CODE	PRICE
RANGER	R28 000.00
Set of nozzles included in price (Sizes 22mm, 24mm, 26mm & 28mm)	

NOZZLES

CODE	PRICE
NZ-..... SIZE?MM(SIME)	R180.00

FEM. CONNECTION SCREW	inch	3"
NET WEIGHT	kg	10
PACKAGING SIZE	cm	107X28X33
BOX QUANTITY	each	1

SPECIFICATIONS

U Nozzle diameter		P Pressure		G Jet Length		Q Capacity			Values for a single sprinkler	
									S Irrigated area	I Rainfall per hour
mm	inch	kg/cm ²	lbs/inch	m	feet	l/min	m ³ /h	G.P.M.	m ²	mm/h
22	.86	3	44	38,5	127	522	31,3	138	4654	6,7
		4	56	42,5	140	604	36,2	159	5671	6,4
		5	70	46,0	151	676	40,5	178	6644	6,1
		6	85	49,5	163	741	44,4	196	7693	5,8
24	.95	3	44	40,0	128	623	37,3	164	5024	7,4
		4	56	44,5	150	720	43,2	190	6217	6,9
		5	70	49,0	161	806	48,3	213	7539	6,4
		6	85	52,5	171	882	52,9	233	8654	6,1
26	1,02	3	44	41,0	135	732	43,9	193	5281	8,3
		4	56	46,0	151	846	50,7	223	6664	7,6
		5	70	50,0	164	946	56,7	250	7850	7,2
		6	85	54,0	177	1037	62,2	274	9156	6,8
28	1,10	3	44	43,0	141	848	50,9	224	5808	8,7
		4	56	48,0	157	981	58,8	259	7238	8,1
		5	70	52,0	170	1096	65,7	289	8494	7,7
		6	85	56,0	184	1202	72,1	317	9847	7,3
30	1,18	3	44	44,5	146	974	58,4	257	6217	9,4
		4	56	50,0	164	1127	67,6	297	7850	8,6
		5	70	54,0	177	1260	75,6	332	9156	8,2
		6	85	58,0	190	1381	82,8	364	10562	7,8
32	1,26	4	56	52,0	170	1282	76,9	337	8494	9,0
		5	70	56,0	184	1433	85,9	377	9847	8,7
		6	85	59,5	195	1570	94,2	413	11116	8,5
		7	100	63,0	207	1694	101,6	445	12462	8,1



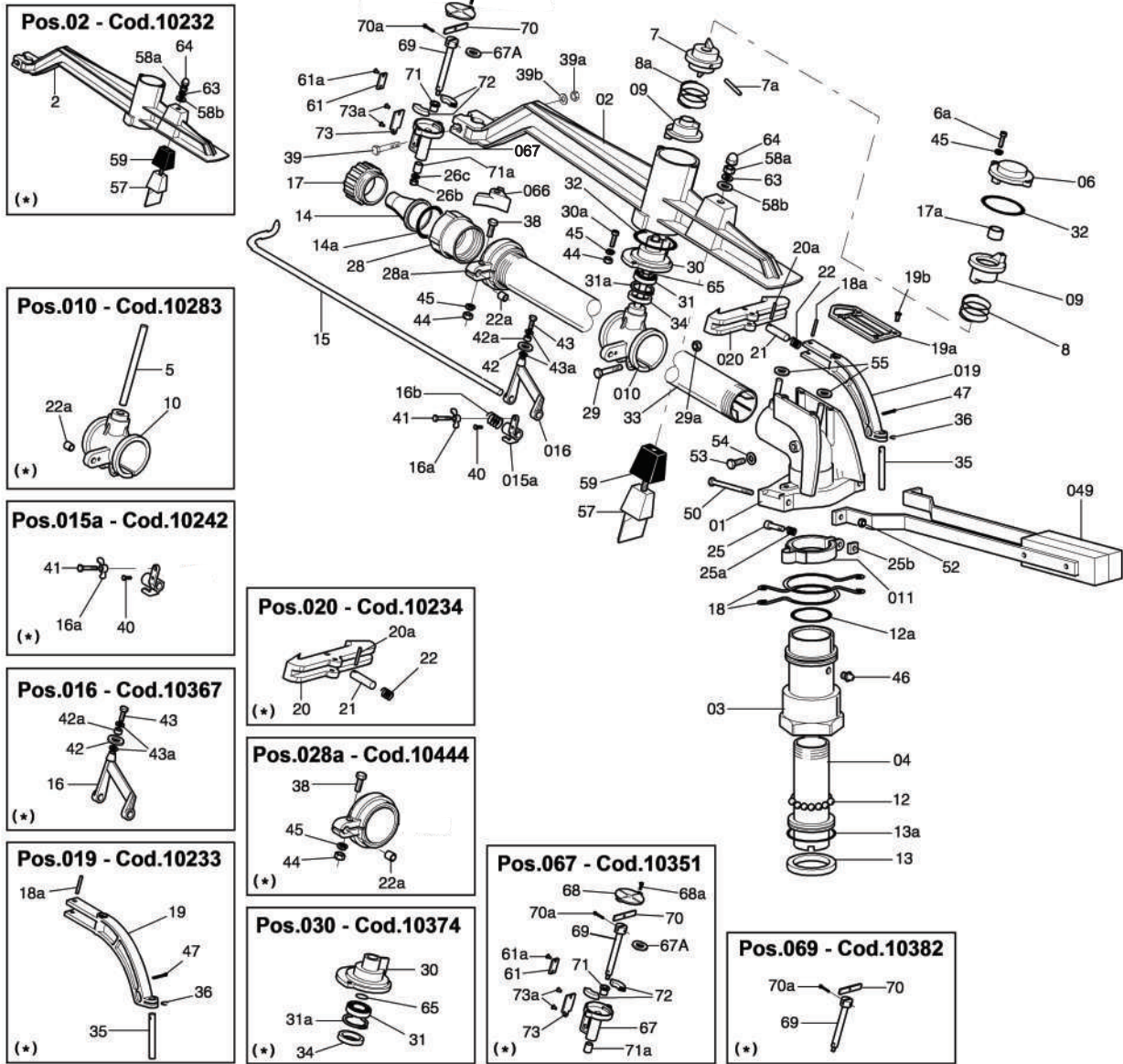
UNRIVALED
QUALITY
VERSATILITY



SIME GUNS

SIME RANGER

RANGER 25° SPARE PARTS



CODEN°	POSITION	PRICE
S10182	01	R3 735.14
S10232	02	R4 362.89
S10185	03	R2 793.50
S10186	04	R2 008.81
S10373	06	R646.59
S30889	6a	R9.42
S30890	7	R47.08
S30891	7a	R8.16
S30892	8	R134.97
S30893	8a	R144.38
S10187	09	R495.93
S10283	010	R903.97
S10184	011	R634.03
S30048	12	R5.65
S30900	12a	R25.74
S30901	13	R141.24
S30935	13a	R29.50
S30064	14a	R13.81
S10242	015a	R313.88
S20132	15	R235.41
S10367	016	R370.37
S30904	16a	R40.80
S30905	16b	R87.89

CODEN°	POSITION	PRICE
S30056	17	R163.22
S30936	17a	R30.76
S30906	18	R332.71
S30937	18a	R10.04
S10233	019	R539.87
S30908	19a	R279.35
S30938	19b	R5.65
S10234	020	R269.93
S30910	20a	R10.04
S30911	21	R97.30
S30912	22	R20.72
S30950	22a	R37.67
S30965	25	R23.85
S30914	25a	R12.56
S3010205	25b	R43.94
S30501	26b	R20.72
S30587	26c	R7.53
S10444	028a	R618.34
S301035	28	R1 129.96
S30920	29	R47.08
S30475	29a	R6.91
S10374	030	R844.33
S30922	30a	R13.18
S30518	31a	R25.11

CODEN°	POSITION	PRICE
S30923	32	R29.50
S20133	33	R1 381.06
S30022	34	R150.66
S30940	35	R40.80
S30941	36	R20.72
S30934	38	R6.91
S30942	39	R25.11
S30475	39a	R6.91
S30476	39b	R10.04
S30091	40	R6.91
S30513	41	R10.04
S30569	42	R40.80
S30960	42a	R43.94
S30443	43	R10.04
S30587	43a	R7.53
S30270	44	R7.53
S30233	46	R10.04
S30492	47	R16.95
S10180	049	R1 161.34
S30926	50	R20.72
S30475	52	R6.91
S30102	53	R75.33
S30103	54	R4.39

CODEN°	POSITION	PRICE
S30961	55	R25.74
S10629	57	R386.07
S30475	58a	R6.91
S301024	58b	R13.18
S301019	59	R72.19
S301020	61	R94.16
S301023	61a	R3.14
S30476	63	R10.04
S301028	64	R21.97
S10352	066	R194.60
S10351	067	R1 757.71
S10382	069	R590.09
S3010291	71	R75.33
S3010283	71a	R87.89
S3010284	72	R37.67
S3010285	73	R197.74
S3010286	73a	R3.14

SIME GUNS

SIME REFLEX



**UNRIVALED
QUALITY
VERSATILITY**

25° (FULL & PART CIRCLE)

Sime Reflex Impact Drive Sprinkler is constructed with a heavy cast aluminum body, aluminum drive arm and heavy duty lower turning union. Features include adjustable stops for full or part circle coverage (slow reverse in part circle mode), an adjustable jet breaker for changes stream pattern and a quick change nozzle setup all supported by a robust flanged base connection. ed by a 3" female standard pipe thread connection.



GUN

CODE	PRICE
REFLEX	R28 000.00
Set of nozzles included in price (Sizes 26mm, 28mm, 30mm, 32mm & 34mm)	

NOZZLES

CODE	PRICE
NZ-.....MM(SIME)	R180.00

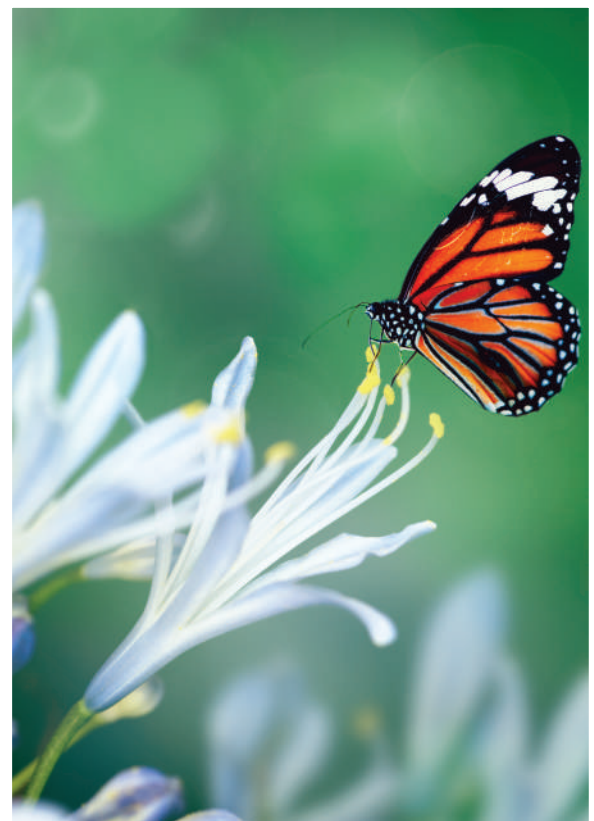
FLANGE (80mm BSP)

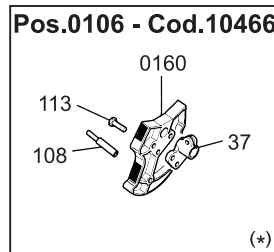
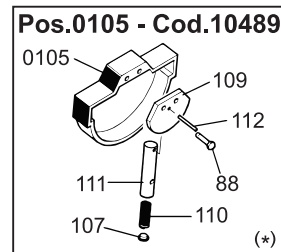
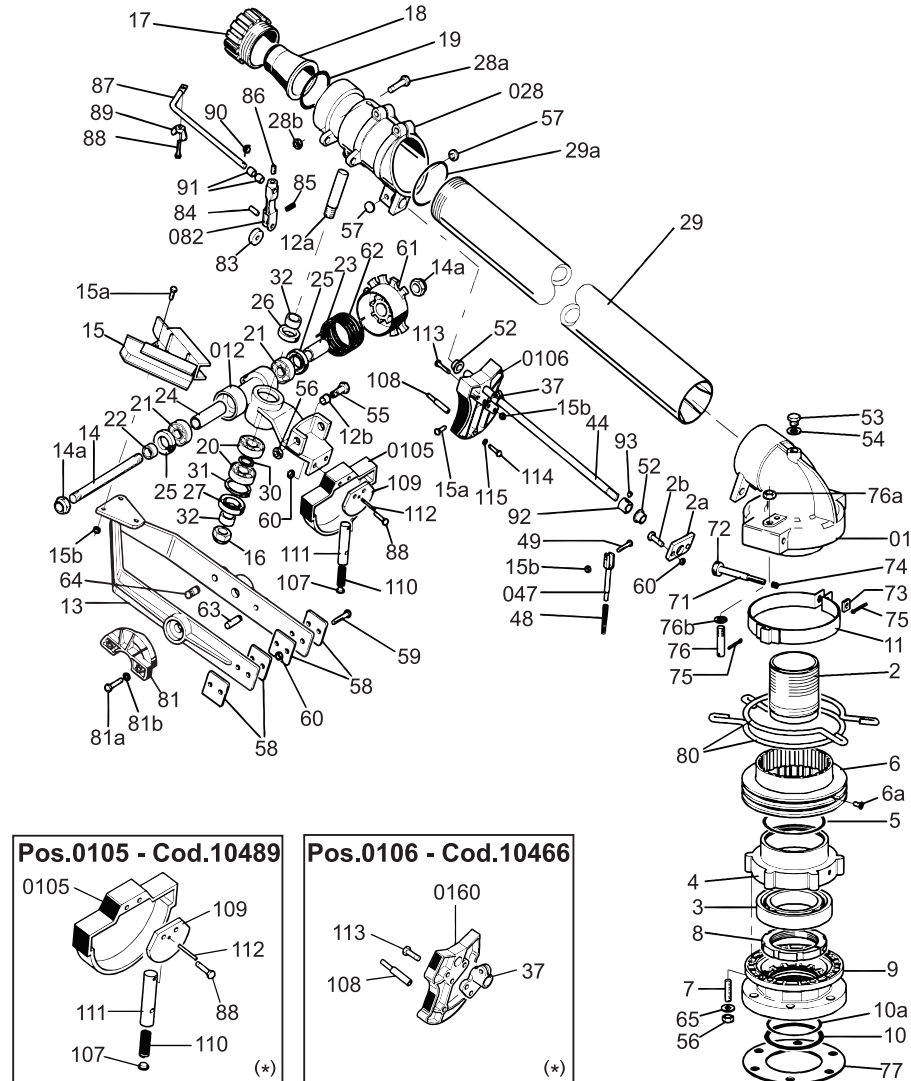
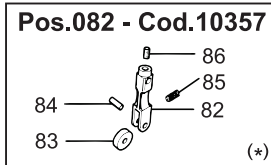
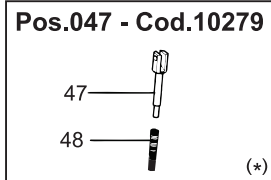
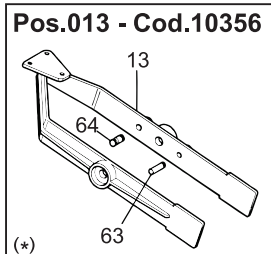
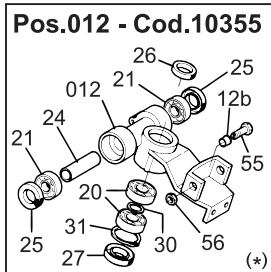
CODE	SIZE	PRICE
SIMEFL-78X130	3"	R780.00

CONNECTION SIZE FLANGE	mm	78x130
NET WEIGHT	kg	10.5
PACKAGING SIZE	cm	107X28X33
BOX QUANTITY	each	1

SPECIFICATIONS

U Nozzle diameter	P Pressure	G Jet Length	Q Capacity	Values for a single sprinkler						
				S Irrigated area	I Rainfall per hour					
mm	inch	kg/cm ²	lbs/inch	m	feet	l/min	m ³ /h	G.P.M.	m ²	mm/h
26	1,02	3	44	41,0	135	732	43,9	193	5281	8,3
		4	56	46,0	151	846	50,7	223	6664	7,6
		5	70	50,0	164	946	56,7	250	7850	7,2
		6	85	54,0	177	1037	62,2	274	9156	6,8
28	1,10	3	44	43,0	141	848	50,9	224	5808	8,7
		4	56	48,0	157	981	58,8	259	7238	8,1
		5	70	52,0	170	1096	65,7	289	8494	7,7
		6	85	56,0	184	1202	72,1	317	9847	7,3
30	1,18	3	44	44,5	146	974	58,4	257	6217	9,4
		4	56	50,0	164	1127	67,6	297	7850	8,6
		5	70	54,0	177	1260	75,6	332	9156	8,2
		6	85	58,0	190	1381	82,8	364	10562	7,8
32	1,26	4	56	52,0	170	1282	76,9	337	8494	9,0
		5	70	56,0	184	1433	85,9	377	9847	8,7
		6	85	59,5	195	1570	94,2	413	11116	8,5
		7	100	63,0	207	1694	101,6	445	12462	8,1
34	1,34	4	56	54,0	177	1448	86,9	382	9156	9,5
		5	70	57,5	187	1619	97,1	427	10381	9,3
		6	85	61,0	202	1774	106,4	468	11683	9,1
		7	100	65,0	218	1913	114,8	505	13266	8,6





CODE N°	POSITION	PRICE
S10528	01	R7 627.21
S3010530	2a	R116.13
S30513	2b	R10.04
S30455	3	R1 192.73
S10536	4	R2 573.79
S3010658	5	R78.47
S3010659	6	R1 004.41
S3010660	6a	R12.56
S30474	7	R97.30
S3010739	8	R1 224.12
S3010661	9	R1 538.00
S3010532	10	R28.25
S3010531	10a	R28.25
S3010122	11	R756.44
S10355	012	R3 954.85
S3010281	12	R1 820.49
S3010333	12b	R116.13

CODE N°	POSITION	PRICE
S10356	013	R3 829.30
S3010302	14	R662.28
S30579	14a	R40.80
S3010303	15	R709.36
S30783	15a	R5.65
S30270	15b	R7.53
S3010304	16	R53.36
S30056	17	R163.22
S30063	18	R100.44
S30064	19	R13.81
S301002	20	R338.99
S30551	21	R304.46
S3010305	22	R163.22
S3010306	23	R204.02
S3010307	24	R219.71
S3010308	25	R138.11
S3010309	26	R84.75
S3010310	27	R87.89
S10499	028	R2 573.79
S3010480	28b	R6.91
S20260	29	R1 443.83
S3010689	29a	R53.36
S3010314	30	R53.36
S301003	31	R25.11
S3010315	32	R185.19
S3010318	37	R439.43

CODE N°	POSITION	PRICE
S20261	44	R602.64
S10279	047	R693.67
S3010324	52	R75.33
S30102	53	R75.33
S30103	54	R4.39
S30426	55	R18.20
S30475	56	R6.91
S3010325	57	R25.74
S3010326	58	R200.88
S30511	60	R7.53
S3010327	61	R298.18
S3010328	62	R194.60
S30523	65	R6.59
S10281	071	R241.69
S3010205	73	R43.94
S3010161	75	R14.44
S3010850	76	R138.11
S30429	76a	R11.93

CODE N°	POSITION	PRICE
S30471	77	R91.02
S3010109	80	R345.26
S3010344	81	R301.32
S3010148	81a	R13.18
S30557	81b	R7.53
S10357	082	R709.36
S3010349	83	R69.05
S3010346	84	R26.37
S3010347	85	R16.32
S301084	86	R13.18
S20203	87	R310.74
S30459	88	R11.93
S30904	89	R40.80
S30492	90	R16.95
S30950	91	R37.67
S3010351	92	R78.47
S3010445	93	R8.16
S10489	0105	R1 349.67
S10466	0106	R1 286.90
S3010575	107	R72.19
S3010576	108	R97.30
S3010546	109	R37.67
S3010608	110	R50.22
S3010612	111	R200.88
S30910	112	R10.04
S3010441	113	R8.16
S3010462	114	R6.91
S30532	115	R7.53

SIME GUNS

SIME KRONOS



UNRIVALED
QUALITY
VERSATILITY

46° ÷ 16° (FULL & PART CIRCLE)

SIME KRONOS is a slow reverse sprinkler with variable jet-angle for middle or high capacity rotating at full or part circle. Suitable for watering machines or normal installations, particularly in wind swept land, fields with low electric air-lines a high voltage and for fertilization. It works without problems also slope wise.



GUN

CODE	PRICE
KRONOS	R 38 000.00

Set of nozzles included in price
(Sizes 30mm, 32mm, 34mm, 36mm & 38mm)
and pressure gauge included in price

NOZZLES

CODE	PRICE
NZ- SIZE mm?(SIME)	R180.00

FLANGE (80mm BSP)

CODE	SIZE	PRICE
SIMEFL-78X130	3"	R780.00

CONNECTION SIZE FLANGE	mm	78x130
NET WEIGHT	kg	12
PACKAGING SIZE	cm	123x28x33
HOLE CENTRE TO CENTRE	mm	130
BOX QUANTITY	each	1

SPECIFICATIONS

U Nozzle diameter	P Pressure		G Jet Length		Q Capacity			Values for a single sprinkler		Square pattern for irrigators			Triangular pattern				
								S Irrigated area	I Rainfall per hour	D Distance of sprinklers on the pipeline	S Irrigated area	I Rainfall per hour	D Distance of sprinklers on the pipeline	D ₁ Distance between 2 contiguous pipelines	S Irrigated area	I Rainfall per hour	
mm	inch	kg/cm ²	lbs/inch	m	feet	l/min	m ³ /h	G.P.M.	m ²	mm/h	m	m ²	mm/h	m	m	m ²	mm/h
30	1" ⁷ / ₁₆	3	44	48	157	974	58.4	257	7234	8.1	86	4128	14.2	83	72	5976	9.8
		4	56	52	170	1127	67.6	297	8490	7.9	93	4836	13.9	90	78	7020	9.6
		5	70	56	184	1260	75.6	332	9847	7.7	100	5600	13.5	96	84	8064	9.4
		6	85	60	196	1381	82.8	364	11304	7.4	108	6480	12.8	103	90	9270	8.9
32	1" ⁷ / ₈	4	56	54	177	1282	76.9	338	9156	8.4	97	5238	14.7	93	81	1733	10.2
		5	70	58	190	1433	85.9	378	10562	8.1	104	6032	14.3	100	87	8700	9.9
		6	85	62	202	1570	94.2	414	12070	7.8	111	6882	13.7	107	93	9951	9.5
		7	100	66	217	1694	101.6	447	13677	7.4	118	7788	13.1	114	99	11286	9.0
34	1" ¹¹ / ₃₂	5	70	59	192	1619	97.1	427	10930	8.9	106	6254	15.5	102	88	8976	10.8
		6	85	64	210	1774	106.4	468	12861	8.3	115	7360	14.5	110	96	10560	10.1
		7	100	68	223	1913	114.8	505	14519	7.9	122	8296	13.8	117	102	11934	9.6
		8	115	72	236	2048	122.8	538	16277	7.5	129	9288	13.2	124	108	13392	9.2
36	1.42	5	70	61	199	1814	108.8	477	11683	9.3	109	6649	16.3	105	91	9555	11.4
		6	85	66	217	1988	119.3	523	13677	8.7	118	7788	15.3	114	99	11286	10.6
		7	100	70	229	2144	128.6	564	15386	8.4	126	8820	14.6	121	105	12705	10.1
		8	115	74	242	2295	137.7	603	17194	8.4	133	9842	14.0	128	111	14208	9.7
38	1.5	5	70	63	206	2022	212.3	532	12462	9.7	113	7119	17.0	108	94	10152	12.0
		6	85	68	223	2216	132.9	583	14519	9.2	122	8296	16.0	117	102	11934	11.2
		7	100	72	236	2390	143.4	628	16277	8.8	129	9288	15.4	124	108	13392	10.7
		8	115	76	249	2558	153.5	673	18136	8.5	136	10336	14.8	131	114	14934	10.3
40	1.57	5	70	65	213	2240	134.4	589	13266	10.1	117	7605	17.7	112	97	10864	12.4
		6	85	69	226	2455	147.3	646	14949	9.9	124	8556	17.2	119	103	12257	12.0
		7	100	73	239	2648	158.9	696	16733	9.5	131	9563	16.6	126	109	13734	11.6
		8	115	78	255	2834	170.0	745	19103	8.9	140	10920	15.6	134	117	15678	10.8

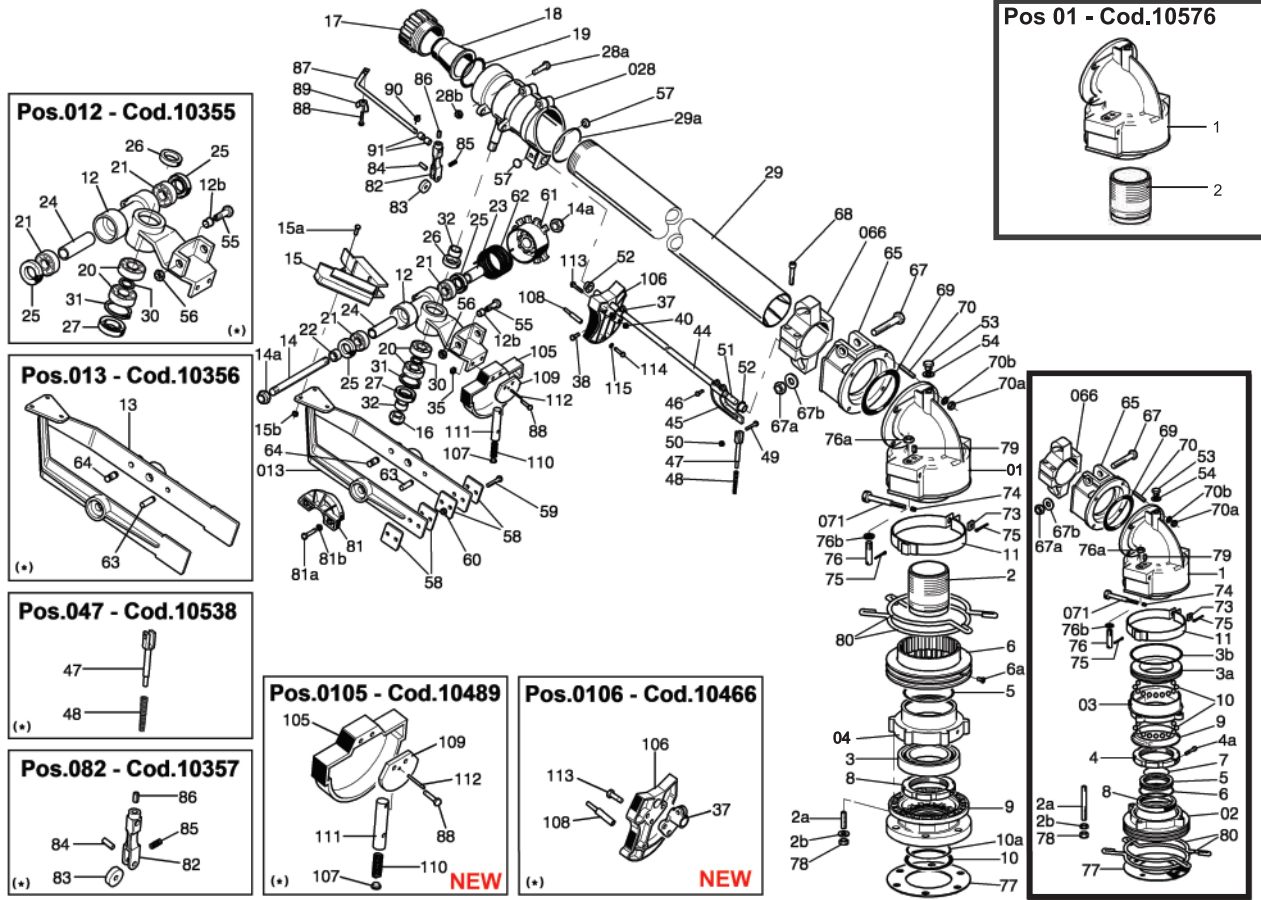
UNRIVALED
QUALITY
VERSATILITY



SIME GUNS

SIME KRONOS

KRONOS 46° ÷ 16° SPARE PARTS



CODEN°	POSITION	PRICE
S10576	01	R8 694.39
S3010312	1 -old	R4 959.26
S10363	02 -old	R2 354.08
S30474	2a	R97.30
S3010113	2a -old	R97.30
S30116	2b -old	R5.65
S30455	3	R1 192.73
S10344	03 -old	R2 259.91
S3010115	3a -old	R1 632.16
S301067	3b -old	R34.53
S10536	04	R2 573.79
S3010116	4 -old	R1 192.73
S301014	4a -old	R14.44
S3010658	5	R78.47
S3010117	5 -old	R1 004.41
S3010659	6	R1 004.41
S3010123	6 -old	R40.80
S3010660	6a	R12.56
S30946	7 -old	R34.53
S3010739	8	R1 224.12
S3010179	8 -old	R166.35
S3010661	9	R1 538.00
S3010134	9 -old	R756.44
S3010532	10	R28.25
S30048	10 -old	R5.65
S3010531	10a	R28.25
S3010122	11	R756.44
S10355	012	R3 954.85
S3010333	12b	R116.13
S10356	013	R3 829.30
S3010302	14	R662.28
S30579	14a	R40.80
S3010303	15	R709.36
S30783	15a	R5.65
S30270	15b	R7.53
S3010304	16	R53.36

CODEN°	POSITION	PRICE
S30056	17	R1 632.16
S30064	19	R13.81
S301002	20	R338.99
S30551	21	R304.46
S3010305	22	R163.22
S3010306	23	R204.02
S3010307	24	R219.71
S3010308	25	R138.11
S3010309	26	R84.75
S3010310	27	R87.89
S10359	028	R2 573.79
S30926	28a	R20.72
S3010480	28b	R6.91
S20198	29	R1 538.00
S3010313	29a	R59.64
S3010314	30	R53.36
S301003	31	R25.11
S3010315	32	R185.19
S10438	033 -old	R1 004.41
S30511	35	R7.53
S10439	036 -old	R1 098.57
S3010318	37	R439.43
S30783	38	R5.65
S30530	39 -old	R10.04
S30270	40	R7.53
S3010319	41 -old	R119.27
S3010320	42 -old	R178.91
S30270	43 -old	R7.53
S30532	43a -old	R7.53
S20268	44	R624.62
S20199	44 -old	R580.67
S3010759	45	R831.77
S3010322	45 -old	R831.77
S30783	46	R5.65
S10538	047	R693.67
S10279	047 -old	R693.67

CODEN°	POSITION	PRICE
S3010773	48	R72.19
S30510	48 -old	R69.05
S30530	49	R10.04
S30270	50	R7.53
S3010323	51	R169.49
S3010324	52	R75.33
S30102	53	R75.33
S30103	54	R4.39
S30426	55	R18.20
S30475	56	R6.91
S3010325	57	R25.74
S3010326	58	R200.88
S30511	60	R7.53
S3010327	61	R298.18
S3010328	62	R194.60
S3010756	65	R2 416.85
S3010172	65 -old	R2 354.08
S10521	066	R2 259.91
S10361	066 -old	R2 040.20
S3010174	67	R47.08
S3010175	67a	R40.80
S30438	67b	R10.04
S3010176	68	R31.39
S3010758	69	R222.85
S3010177	69 -old	R160.08
S3010269	70	R97.30
S30475	70a	R6.91
S10281	071	R241.69
S3010205	73	R43.94
S3010161	75	R14.44
S3010850	76	R138.11

CODEN°	POSITION	PRICE
S3010332	76 -old	R138.11
S30429	76a	R11.93
S30471	77	R91.02
S3010170	77 -old	R91.02
S30475	78	R6.91
S30121	78 -old	R7.53
S30724	79	R7.53
S3010109	80	R345.26
S3010344	81	R301.32
S3010148	81a	R13.18
S30557	81b	R7.53
S10357	082	R709.36
S3010349	83	R69.05
S3010346	84	R26.37
S3010347	85	R16.32
S301084	86	R13.18
S20203	87	R310.74
S30459	88	R11.93
S30904	89	R40.80
S30492	90	R16.95
S30950	91	R37.67
S3010590	100 -old	R103.58
S10489	0105 -NEW	R1 349.67
S10466	0106 -NEW	R1 286.90
S3010575	107	R72.19
S3010576	108	R97.30
S3010546	109	R37.67
S3010608	110	R50.22
S3010612	111	R200.88
S30910	112	R10.04
S3010441	113	R8.16
S3010462	114	R6.91
S30532	115	R7.53

