

SOLVENT WELD

(uPVC VALVES & FITTINGS)



KLEBOC PVC WELD GLUE	Pg. 148
uPVC VALVES & FITTINGS	Pg. 149 - 157
uPVC THREADED FITTINGS	Pg. 158 - 159



KP550 HIGH PRESSURE THIXOTROPIC PVC WELD GLUE



Kleboc KP550 High Pressure PVC Weld Glue is a clear viscous solvent-based polyvinylchloride adhesive. Used for joining PVC, uPVC, cPVC and ABS pipes and fittings in irrigation and agricultural applications where high pressure is achieved.

CODE	SIZE (ml)	BOX QTY	PRICE
KP550-250	250ml	30	R200.49
KP550-500	500ml	20	R282.88

SPECIFICATION:

• Appearance	:	Clear Colourless Viscous Liquid
• Viscosity	:	≥ 1500 mPas
• Flash Point	:	≤ 25°C
• Specific Gravity	:	0.920 to 0.950
• Shelf Life	:	≥ 6 months when unopened
• Packaging	:	Brush-Top Tin

Wet Film Properties Thin film applied to flat plate does not flow or drip when held in the vertical position for 5 minutes.
Dry Film Properties Even, continuous and free from lumps or foreign matter.

PACKAGING:

250 ml and 500 ml steel cans with brushes attached to caps

DIRECTIONS FOR USE:

- Clean pipes of dust, grease and oil with MEK solvent pipe cleaner.
- Stir well, apply adhesive in an even layer, to the pipe and fitting and assemble immediately, whilst wet.
- Brush the excess around the joint for full seal.
- Handling strength in 15 minutes.
- Full pressure after 24 hours

CAUTION:

- Irritant: Apply in well ventilated area.
- Flammable liquid.
- Avoid contact with eyes and skin. In case of contact rinse with water and seek medical assistance.
- Keep out of reach of children and animals

All products are manufactured to strict specifications and tested in controlled conditions, therefore the manufacturers nor distributors can held responsible for the use of these products outside of their control. It is advisable to test on your own application.

APPLICATION TESTS:

According to EN14814, DIN16970, EC1935/2004

- Thickness : ≥ 0.2 mm
- Sufficiently flexible
- Film Shear Strength : 1 hour ≥ 0.6 MPa
24hours ≥ 2.0 MPa
14 days ≥ 5.0 MPa

REF: TEST REPORT 3/11994 INTERNAL MEMO
1 hour @ 24 Bar Pressure : Passed
Using 63mm Class 16 pipe and injection moulded sockets were assembled, using the above adhesives.

KP700 PVC PIPE CLEANER



CODE	SIZE (ml)	BOX QTY	PRICE
KP700	500ml	18	R121.69

TANGIT PVC GLUE



CODE	SIZE (ml)	BOX QTY	PRICE
SWG050	50ml	12	R92.36
SWG100	100ml	20	R139.65
SWG250	250ml	20	R255.00
SWG500	500ml	10	R425.22

**UV RESISTANT
EXTRA STRENGTH
PROVEN DURABILITY**



**uPVC SOLVENT
WELD**

TOMMY

THREADED ONE PIECE COMPACT BALL VALVE



**N.B. Size printed on body
" Inches is thread and
mm is Glue On "**

Max Working Pressure 10 Bar

CODE	BSP	SIZE	BOX QTY	PRICE
SWBV015BSP	1/2 "	15mm	300	R11.84
SWBV020BSP	3/4 "	20mm	190	R18.68
SWBV025BSP	1 "	25mm	100	R31.00
SWBV032BSP	1 1/4 "	32mm	70	R43.72
SWBV040BSP	1 1/2 "	40mm	50	R57.87
SWBV050BSP	2 "	50mm	30	R98.00
SWBV065BSP	2 1/2 "	65mm	12	R228.88
SWBV080BSP	3 "	80mm	8	R310.51
SWBV100BSP	4 "	100mm	6	R740.95

SOCKETED ONE PIECE COMPACT BALL VALVE



Max Working Pressure 10 Bar

CODE	SIZE	BOX QTY	PRICE
SWBV020GO	20mm	300	R11.84
SWBV025GO	25mm	190	R18.68
SWBV032GO	32mm	100	R31.00
SWBV040GO	40mm	70	R43.72
SWBV050GO	50mm	50	R57.87
SWBV063GO	63mm	30	R98.00
SWBV075GO	75mm	12	R228.88
SWBV090GO	90mm	8	R310.51
SWBV110GO	110mm	6	R740.95

THREADED SINGLE UNION BALL VALVE



Max Working Pressure 10 Bar

CODE	BSP	SIZE	BOX QTY	PRICE
SWSUBV015T	1/2 "	15mm	168	R22.96
SWSUBV020T	3/4 "	20mm	105	R36.69
SWSUBV025T	1 "	25mm	84	R52.81
SWSUBV032T	1 1/4 "	32mm	30	R87.28
SWSUBV040T	1 1/2 "	40mm	32	R127.13
SWSUBV050T	2 "	50mm	12	R220.92
SWSUBV065T	2 1/2 "	65mm	6	R312.43
SWSUBV080T	3 "	80mm	2	R612.34
SWSUBV100T	4 "	100mm	2	R996.47

SOCKETED SINGLE UNION BALL VALVE



Max Working Pressure 10 Bar

CODE	SIZE	BOX QTY	PRICE
SWSUBV020G	20mm	168	R22.96
SWSUBV025G	25mm	105	R36.25
SWSUBV032G	32mm	84	R52.40
SWSUBV040G	40mm	30	R86.15
SWSUBV050G	50mm	40	R124.58
SWSUBV063G	63mm	12	R219.00
SWSUBV075G	75mm	6	R309.63
SWSUBV090G	90mm	2	R617.36
SWSUBV110G	110mm	2	R986.31



TOMMY

THREADED DOUBLE UNION BALL VALVE



Max Working Pressure 10 Bar

CODE	BSP	SIZE	BOX QTY	PRICE
SWDUBV020T	3/4 "	20mm	84	R46.22
SWDUBV025T	1 "	25mm	36	R66.96
SWDUBV032T	1 1/4 "	32mm	30	R108.46
SWDUBV040T	1 1/2 "	40mm	24	R149.79
SWDUBV050T	2 "	50mm	12	R259.37
SWDUBV065T	2 1/2 "	65mm	6	R352.33
SWDUBV080T	3 "	80mm	2	R682.23
SWDUBV100T	4 "	100mm	2	R1 146.62

GLUE ON DOUBLE UNION BALL VALVE



Max Working Pressure 10 Bar

CODE	SIZE	BOX QTY	PRICE
SWDUBV025G	25mm	84	R45.59
SWDUBV032G	32mm	36	R66.13
SWDUBV040G	40mm	30	R108.46
SWDUBV050G	50mm	24	R148.47
SWDUBV063G	63mm	12	R258.60
SWDUBV075G	75mm	6	R352.33
SWDUBV090G	90mm	2	R682.23
SWDUBV110G	110mm	2	R1 146.62

HIGH CAPACITY PLASTIC FLOAT VALVE



Max Working Pressure 1 - 6 Bar

CODE	SIZE	FLOW RATE	BOX QTY	PRICE
SWPFV015	15mm	3 L/S @ 6 BAR	100	R105.65
SWPFV020	20mm	4.2 L/S @ 6 BAR	100	R113.67
SWPFV025	25mm	5.3 L/S @ 6 BAR	80	R164.00
SWPFV032	32mm	5.5 L/S @ 6 BAR	70	R200.38
SWPFV040	40mm	10 L/S @ 6 BAR	65	R321.00
SWPFV050	50mm	10.5 L/S @ 6 BAR	65	R365.30
SWPFV065	65mm	12.5 L/S @ 6 BAR	50	R436.95



ABS BROWN PLASTIC TAP



Outlet
Always 20mm

"size refers to inlet size only, outlet always 20mm"

CODE	SIZE	BOX QTY	PRICE
SWPBT015	15mm	240	R26.26
SWPBT020	20mm	240	R27.00

CROSS HANDLE TAP



Hose Tail
Always 15mm

CODE	SIZE	BOX QTY	PRICE
SWCHT015	15mm	240	R27.13
SWCHT020	20mm	240	R27.71

CONTAINER TAP SCREWED MALE



Hose Tail
Always 15mm

CODE	SIZE	BOX QTY	PRICE
SWCT015	15mm	240	R27.13
SWCT020	20mm	240	R27.71

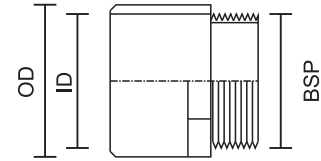
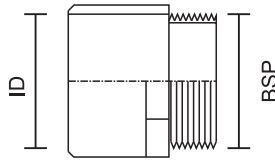
**UV RESISTANT
EXTRA STRENGTH
PROVEN DURABILITY**



**uPVC SOLVENT
WELD**

TOMMY

uPVC SOLVENT WELD MALE ADAPTOR



ID BSP

Codes read as follows : SWMA025020

OD ID BSP

Codes read as follows : SWMA025020015

DOUBLE SIZE			
CODE	SIZE	BOX QTY	PRICE
SWMA020015	20mm x 15mm	500	R3.00
SWMA020020	20mm x 20mm	480	R3.24
SWMA025020	25mm x 20mm	320	R4.50
SWMA025025	25mm x 25mm	280	R5.27
SWMA032025	32mm x 25mm	212	R7.80
SWMA032032	32mm x 32mm	180	R9.00
SWMA040032	40mm x 32mm	120	R12.44
SWMA040040	40mm x 40mm	120	R12.52
SWMA050040	50mm x 40mm	96	R17.69
SWMA050050	50mm x 50mm	72	R20.32
SWMA063050	63mm x 50mm	74	R29.66
SWMA075065	75mm x 65mm	45	R47.43
SWMA090080	90mm x 80mm	54	R80.28
SWMA110100	110mm x 100mm	24	R138.23

TRIPLE SIZE			
CODE	SIZE	BOX QTY	PRICE
SWMA025020015	25mm x 20mm x 15mm	500	R3.57
SWMA025020020	25mm x 20mm x 20mm	500	R3.79
SWMA032025020	32mm x 25mm x 20mm	300	R5.44
SWMA032025025	32mm x 25mm x 25mm	300	R5.93
SWMA040032025	40mm x 32mm x 25mm	240	R7.00
SWMA040032032	40mm x 32mm x 32mm	240	R9.86
SWMA050040025	50mm x 40mm x 25mm	140	R13.73
SWMA050040032	50mm x 40mm x 32mm	105	R14.94
SWMA050040040	50mm x 40mm x 40mm	105	R15.22
SWMA063050040	63mm x 50mm x 40mm	168	R22.88
SWMA063050050	63mm x 50mm x 50mm	126	R25.21
SWMA075063050	75mm x 63mm x 50mm	120	R32.93
SWMA090075050	90mm x 75mm x 50mm	84	R53.03
SWMA090075080	90mm x 75mm x 80mm	84	R64.10
SWMA110090080	110mm x 90mm x 80mm	54	R93.32
SWMA125110080	125mm x 110mm x 80mm	50	R120.15
SWMA125110100	125mm x 110mm x 100mm	50	R137.29



uPVC SOLVENT WELD FEMALE ADAPTOR

(Plain / Threaded Socket)



CODE	SIZE	BOX QTY	PRICE
SWFA020015	20mm x 15mm	450	R3.19
SWFA025020	25mm x 20mm	300	R4.70
SWFA032025	32mm x 25mm	216	R7.53
SWFA040032	40mm x 32mm	133	R12.00
SWFA050040	50mm x 40mm	72	R19.94
SWFA063050	63mm x 50mm	105	R34.82
SWFA075065	75mm x 65mm	75	R49.00
SWFA090080	90mm x 80mm	22	R85.33
SWFA110100	110mm x 100mm	24	R131.72

uPVC SOLVENT WELD



**UV RESISTANT
EXTRA STRENGTH
PROVEN DURABILITY**

TOMMY

uPVC SINGLE UNION THREADED CHECK VALVE

(Non Return)

"Inches is thread and mm is Glue on"

uPVC SINGLE UNION SOLVENT WELD CHECK VALVE

(Non Return)



Max Working Pressure 10 Bar

CODE	SIZE	BOX QTY	PRICE
SWCV015T	1/2"	180	R21.28
SWCV020T	3/4"	90	R39.99
SWCV025T	1"	72	R58.97
SWCV032T	1 1/4"	40	R87.61
SWCV040T	1 1/2"	30	R101.12
SWCV050T	2"	24	R168.24

Max Working Pressure 10 Bar

CODE	SIZE	BOX QTY	PRICE
SWCV020G	20mm	180	R21.20
SWCV025G	25mm	90	R39.88
SWCV032G	32mm	72	R58.69
SWCV040G	40mm	40	R87.20
SWCV050G	50mm	36	R100.77
SWCV063G	63mm	24	R165.14



uPVC SOLVENT WELD UNION



Max Working Pressure 10 Bar

CODE	SIZE	BOX QTY	PRICE
SWU020	20mm	288	R10.00
SWU025	25mm	240	R13.84
SWU032	32mm	123	R22.55
SWU040	40mm	72	R36.91
SWU050	50mm	45	R43.59
SWU063	63mm	24	R77.15
SWU075	75mm	16	R139.76
SWU090	90mm	12	R210.00
SWU110	110mm	8	R339.15

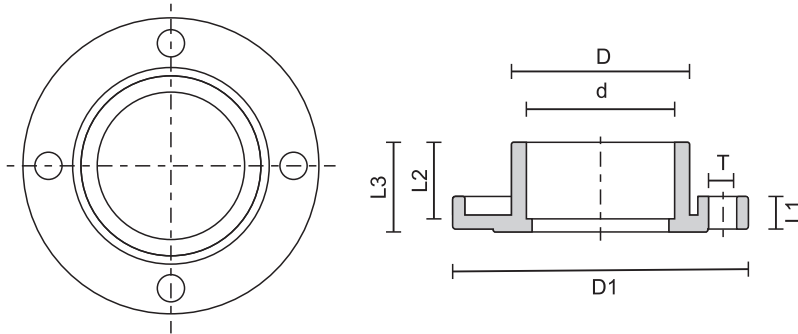
**UV RESISTANT
EXTRA STRENGTH
PROVEN DURABILITY**



**uPVC SOLVENT
WELD**

TOMMY

uPVC SOLVENT WELD FLANGED ADAPTOR



**IR Rings
on page 50**

CODE	SIZE	D	d	D1	L1	L2	L3	T	PRICE
SWA020FL	20mm	27mm	20.3mm	95mm	14mm	16mm	20.2mm	4X13.5	R24.76
SWA025FL	25mm	33mm	25.3mm	105mm	16mm	19mm	23.2mm	4X14	R36.10
SWA032FL	32mm	40mm	32.4mm	115mm	16mm	22mm	26.2mm	4X14	R42.53
SWA040FL	40mm	50mm	40.4mm	140mm	16mm	26mm	30.5mm	4X18	R54.21
SWA050FL	50mm	61mm	50.4mm	150mm	17.6mm	30.5mm	34.1mm	4X18	R77.13
SWA063FL	63mm	76mm	63.4mm	164.6mm	18mm	38.9mm	43mm	4X18	R100.84
SWA075FL	75mm	90mm	75.5mm	185mm	19.3mm	44mm	48mm	8X18	R142.35
SWA090FL	90mm	106.8mm	90.5mm	194.5mm	22.2mm	46.5mm	54mm	8X18	R194.57
SWA110FL	110mm	131mm	110.6mm	220mm	24mm	57.6mm	66.6mm	8X18	R294.24



uPVC SOLVENT WELD SERRATED STUB



**IR Rings
on page 50**

**Refer to page 53
for backing ring**

CODE	SIZE	BOX QTY	PRICE
SS075	75mm	80	R32.41
SS090	90mm	48	R51.17
SS110	110mm	36	R85.96
SS125	125mm	20	R160.55
SS160	160mm	18	R220.18
SS200	200mm	12	R424.87
SS250	250mm	4	R785.63
SS315	315mm	2	R1 151.78

TOMMY

uPVC SOLVENT WELD REDUCING BUSH



**Max working pressure
20mm-110mm -16 Bar
125mm,140mm, 160mm, 200mm & ABOVE - 10 BAR**

CODE	SIZE	BOX QTY	PRICE
SWRB025020	25mm x 20mm	1 300	R1.42
SWRB032020	32mm x 20mm	540	R2.88
SWRB032025	32mm x 25mm	540	R2.25
SWRB040020	40mm x 20mm	340	R5.25
SWRB040025	40mm x 25mm	340	R5.49
SWRB040032	40mm x 32mm	350	R4.22
SWRB050020	50mm x 20mm	234	R8.68
SWRB050025	50mm x 25mm	234	R9.15
SWRB050032	50mm x 32mm	234	R7.87
SWRB050040	50mm x 40mm	234	R8.00
SWRB063025	63mm x 25mm	175	R15.68
SWRB063032	63mm x 32mm	175	R16.56
SWRB063040	63mm x 40mm	175	R13.73
SWRB063050	63mm x 50mm	175	R11.89
SWRB075050	75mm x 50mm	108	R19.83
SWRB075063	75mm x 63mm	108	R16.59
SWRB090050	90mm x 50mm	108	R39.58
SWRB090063	90mm x 63mm	100	R30.95
SWRB090075	90mm x 75mm	100	R28.34
SWRB110063	110mm x 63mm	80	R68.11
SWRB110075	110mm x 75mm	80	R55.37
SWRB110090	110mm x 90mm	80	R53.55
SWRB125110	125mm x 110mm	50	R124.66
SWRB140125	140mm x 125mm	24	R190.49
SWRB160090	160mm x 90mm	18	R210.35
SWRB160110	160mm x 110mm	18	R159.70
SWRB200160	200mm x 160mm	1	R566.72

uPVC PIPE SUPPORT CLIP



For use with PVC pipe

CODE	SIZE	BOX QTY	PRICE
SWPSC020	20mm	2 000	R4.61
SWPSC025	25mm	1 500	R6.89
SWPSC032	32mm	1 000	R10.13
SWPSC040	40mm	1 000	R14.25
SWPSC050	50mm	1 000	R16.97

POLY PROP PIPE SUPPORT CLIP



For use with PVC pipe

CODE	SIZE	BOX QTY	PRICE
SWPSC063	63mm	270	R25.00
SWPSC075	75mm	240	R26.69
SWPSC090	90mm	120	R29.14
SWPSC110	110mm	120	R34.22



UV RESISTANT
EXTRA STRENGTH
PROVEN DURABILITY



uPVC SOLVENT
WELD

TOMMY

uPVC SOLVENT WELD 45° ELBOW



Max working pressure
20mm-110mm & 160mm -16 Bar
125mm,140mm, 200mm & ABOVE - 10 BAR

CODE	SIZE	BOX QTY	PRICE
SWE045020	20mm	500	R 2.99
SWE045025	25mm	300	R 4.89
SWE045032	32mm	150	R 8.71
SWE045040	40mm	88	R 14.45
SWE045050	50mm	48	R 23.34
SWE045063	63mm	80	R 41.66
SWE045075	75mm	40	R 67.53
SWE045090	90mm	21	R 113.18
SWE045110	110mm	12	R 193.00
SWE045160	160mm	4	R 584.98
SWE045200	200mm	2	R 816.53
SWE045250	250mm	2	R 1 468.00
SWE045315	315mm	1	R 2 979.10

uPVC SOLVENT WELD 90° ELBOW



Max working pressure
20mm-110mm & 160mm -16 Bar
125mm,140mm, 200mm & ABOVE - 10 BAR

CODE	SIZE	BOX QTY	PRICE
SWE090020	20mm	380	R3.71
SWE090025	25mm	220	R5.96
SWE090032	32mm	124	R10.57
SWE090040	40mm	75	R17.47
SWE090050	50mm	56	R28.21
SWE090063	63mm	34	R51.91
SWE090075	75mm	27	R83.74
SWE090090	90mm	16	R142.40
SWE090110	110mm	9	R244.00
SWE090140	140mm	16	R244.00
SWE090160	160mm	4	R700.14
SWE090200	200mm	2	R1 055.47
SWE090250	250mm	2	R1 712.62
SWE090315	315mm	1	R3 678.19

uPVC SOLVENT WELD CROSS



NEW

Max working pressure
20mm-110mm & 160mm -16 Bar
125mm,140mm, 200mm & ABOVE - 10 BAR

CODE	SIZE	BOX QTY	PRICE
SWC020	20mm	200	R8.15
SWC025	25mm	120	R13.83
SWC032	32mm	65	R22.65
SWC040	40mm	35	R44.14
SWC050	50mm	60	R65.22
SWC063	63mm	45	R119.00
SWC075	75mm	30	R192.35
SWC090	90mm	20	R325.61
SWC110	110mm	12	R524.00
SWC160	160mm	3	R1401.67

uPVC SOLVENT WELD PLAIN/THREADED FEMALE
ELBOW 90° (ROB)

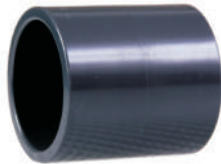


Max working pressure
20mm-110mm & 160mm -16 Bar
125mm,140mm, 200mm & ABOVE - 10 BAR

CODE	SIZE	BOX QTY	PRICE
SWFE020015	20mm x 15mm	350	R5.00
SWFE025015	25mm x 15mm	260	R5.71
SWFE025020	25mm x 20mm	180	R8.27
SWFE032015	32mm x 15mm	180	R8.54
SWFE032020	32mm x 20mm	160	R9.42
SWFE032025	32mm x 25mm	102	R15.22
SWFE040032	40mm x 32mm	65	R22.77
SWFE050040	50mm x 40mm	84	R32.13
SWFE063050	63mm x 50mm	34	R56.47
SWFE075065	75mm x 65mm	38	R85.00
SWFE090080	90mm x 80mm	20	R148.14
SWFE110100	110mm x 100mm	6	R299.82

TOMMY

uPVC SOLVENT WELD SOCKET



**Max working pressure
20mm-110mm & 160mm -16 Bar
125mm,140mm, 200mm & ABOVE - 10 BAR**

CODE	SIZE	BOX QTY	PRICE
SWS020	20mm	600	R2.36
SWS025	25mm	300	R4.00
SWS032	32mm	240	R6.32
SWS040	40mm	140	R10.55
SWS050	50mm	75	R16.12
SWS063	63mm	117	R29.00
SWS075	75mm	60	R46.99
SWS090	90mm	38	R80.66
SWS110	110mm	18	R138.17
SWS125	125mm	27	R114.41
SWS140	140mm	18	R172.72
SWS160	160mm	6	R386.17
SWS200	200mm	6	R563.94
SWS250	250mm	6	R927.76
SWS315	315mm	2	R1 862.52

uPVC SOLVENT WELD END CAP



**Max working pressure
20mm-110mm & 160mm -16 Bar
125mm,140mm, 200mm & ABOVE - 10 BAR**

CODE	SIZE	BOX QTY	PRICE
SWEC020	20mm	1 000	R1.62
SWEC025	25mm	600	R2.72
SWEC032	32mm	340	R4.72
SWEC040	40mm	228	R7.69
SWEC050	50mm	125	R12.30
SWEC063	63mm	71	R24.91
SWEC075	75mm	100	R34.19
SWEC090	90mm	36	R60.59
SWEC110	110mm	36	R107.66
SWEC125	125mm	48	R119.00
SWEC140	140mm	20	R179.56
SWEC160	160mm	20	R231.41
SWEC200	200mm	12	R455.57
SWEC250	250mm	6	R520.58
SWEC315	315mm	3	R1 213.19

uPVC SOLVENT WELD REDUCING SOCKET



**Max working pressure
20mm-110mm & 160mm -16 Bar
125mm,140mm, 200mm & ABOVE - 10 BAR**

CODE	SIZE	BOX QTY	PRICE
SWR025020	25mm x 20mm	360	R3.74
SWR032020	32mm x 20mm	378	R5.30
SWR032025	32mm x 25mm	252	R5.96
SWR040020	40mm x 20mm	190	R8.27
SWR040025	40mm x 25mm	190	R8.95
SWR040032	40mm x 32mm	114	R10.66
SWR050020	50mm x 20mm	100	R13.65
SWR050025	50mm x 25mm	100	R14.42
SWR050032	50mm x 32mm	100	R15.00
SWR050040	50mm x 40mm	70	R17.52
SWR063025	63mm x 25mm	140	R24.00
SWR063032	63mm x 32mm	140	R24.88
SWR063040	63mm x 40mm	156	R25.68
SWR063050	63mm x 50mm	150	R28.75
SWR075050	75mm x 50mm	98	R43.78
SWR075063	75mm x 63mm	32	R49.93
SWR090050	90mm x 50mm	54	R71.46
SWR090063	90mm x 63mm	54	R76.68
SWR090075	90mm x 75mm	54	R84.84
SWR110063	110mm x 63mm	24	R122.63
SWR110075	110mm x 75mm	24	R130.00
SWR110090	110mm x 90mm	24	R143.17
SWR125110	125mm x 110mm	36	R162.00
SWR160110	160mm x 110mm	12	R363.73
SWR160125	160mm x 125mm	24	R287.00
SWR160140	160mm x 140mm	24	R310.00
SWR200160	200mm x 160mm	6	R567.90
SWR250200	250mm x 200mm	8	R629.67
SWR315200	315mm x 200mm	2	R1 300.00
SWR315250	315mm x 250mm	2	R1 329.39



**UV RESISTANT
EXTRA STRENGTH
PROVEN DURABILITY**



**uPVC SOLVENT
WELD**

TOMMY

uPVC SOLVENT WELD EQUAL TEE



**Max working pressure
20mm-110mm & 160mm -16 Bar
125mm,140mm, 200mm & ABOVE - 10 BAR**

CODE	SIZE	BOX QTY	PRICE
SWET020	20mm	250	R4.92
SWET025	25mm	171	R8.00
SWET032	32mm	94	R13.90
SWET040	40mm	50	R23.70
SWET050	50mm	66	R36.39
SWET063	63mm	39	R66.46
SWET075	75mm	20	R110.35
SWET090	90mm	8	R183.54
SWET110	110mm	9	R307.79
SWET125	125mm	18	R301.94
SWET140	140mm	7	R421.43
SWET160	160mm	4	R860.36
SWET200	200mm	4	R1 379.49
SWET250	250mm	2	R2 357.31
SWET315	315mm	1	R5 056.41

uPVC SOLVENT WELD REDUCING TEE



**Max working pressure
20mm-110mm & 160mm -16 Bar
125mm,140mm, 200mm & ABOVE - 10 BAR**

CODE	SIZE	BOX QTY	PRICE
SWRT025020	25mm x 20mm	180	R7.94
SWRT032020	32mm x 20mm	138	R11.95
SWRT032025	32mm x 25mm	101	R13.95
SWRT040020	40mm x 20mm	168	R16.45
SWRT040025	40mm x 25mm	147	R17.82
SWRT040032	40mm x 32mm	46	R20.63
SWRT050020	50mm x 20mm	50	R24.99
SWRT050025	50mm x 25mm	46	R26.86
SWRT050032	50mm x 32mm	44	R29.50
SWRT050040	50mm x 40mm	32	R33.51
SWRT063040	63mm x 40mm	28	R52.68
SWRT063050	63mm x 50mm	23	R58.61
SWRT075040	75mm x 40mm	9	R81.98
SWRT075050	75mm x 50mm	7	R91.54
SWRT075063	75mm x 63mm	6	R105.00
SWRT090063	90mm x 63mm	10	R157.92
SWRT090075	90mm x 75mm	9	R177.31
SWRT110063	110mm x 63mm	7	R236.93
SWRT110075	110mm x 75mm	6	R262.58
SWRT110090	110mm x 90mm	10	R291.83
SWRT125110	125mm x 110mm	18	R305.00
SWRT140110	140mm x 110mm	16	R309.22
SWRT160110	160mm x 110mm	4	R764.21
SWRT160125	160mm x 125mm	5	R467.33
SWRT160140	160mm x 140mm	5	R481.17
SWRT200110	200mm x 110mm	4	R662.35
SWRT200160	200mm x 160mm	4	R916.55
SWRT250160	250mm x 160mm	3	R1 650.56
SWRT250200	250mm x 200mm	2	R1 870.71
SWRT315160	315mm x 160mm	1	R3 393.36
SWRT315200	315mm x 200mm	1	R3 879.45
SWRT315250	315mm x 250mm	1	R4 050.16

**uPVC SOLVENT WELD PLAIN/THREADED
FEMALE TEE (ROT)**



**Max working pressure
20mm-110mm & 160mm -16 Bar
125mm,140mm, 200mm & ABOVE - 10 BAR**

CODE	SIZE	BOX QTY	PRICE
SWFT020015	20mm x 15mm	250	R5.41
SWFT025015	25mm x 15mm	180	R7.53
SWFT025020	25mm x 20mm	162	R9.48
SWFT032015	32mm x 15mm	138	R11.32
SWFT032020	32mm x 20mm	256	R12.52
SWFT032025	32mm x 25mm	90	R16.00
SWFT040032	40mm x 32mm	50	R27.00
SWFT050040	50mm x 40mm	48	R37.43
SWFT063050	63mm x 50mm	49	R64.92
SWFT075065	75mm x 65mm	30	R115.87
SWFT090080	90mm x 80mm	18	R186.00
SWFT110100	110mm x 100mm	11	R350.25



uPVC SOLVENT WELD



**UV RESISTANT
EXTRA STRENGTH
PROVEN DURABILITY**

uPVC SOLVENT WELD BARREL NIPPLE



NEW

CODE	SIZE	PRICE
SWBN015	15mm	R2.00
SWBN020	20mm	R3.27
SWBN025	25mm	R5.99
SWBN032	32mm	R10.22
SWBN040	40mm	R12.74
SWBN050	50mm	R19.53

uPVC SOLVENT WELD MALE THREADED PLUG



NEW

CODE	SIZE	PRICE
SWMTP015	15mm	R1.65
SWMTP020	20mm	R2.86
SWMTP025	25mm	R5.71
SWMTP032	32mm	R6.59
SWMTP040	40mm	R8.68
SWMTP050	50mm	R13.43

uPVC SOLVENT WELD THREADED FEMALE ELBOW



NEW

CODE	SIZE	PRICE
SWTE015	15mm	R4.89
SWTE020	20mm	R8.00
SWTE025	25mm	R12.69
SWTE032	32mm	R26.15
SWTE040	40mm	R30.51
SWTE050	50mm	R50.00

uPVC SOLVENT WELD THREADED EQUAL TEE



NEW

CODE	SIZE	PRICE
SWTET015	15mm	R7.00
SWTET020	20mm	R10.77
SWTET025	25mm	R19.88
SWTET032	32mm	R32.52
SWTET040	40mm	R42.82
SWTET050	50mm	R66.85



**UV RESISTANT
EXTRA STRENGTH
PROVEN DURABILITY**



**uPVC SOLVENT
WELD**

TOMMY

uPVC SOLVENT WELD THREADED RED BUSH



NEW

CODE	SIZE	PRICE
SWTRB020015	20mm x 15mm	R1.98
SWTRB025015	25mm x 15mm	R4.45
SWTRB025020	25mm x 20mm	R3.60
SWTRB032020	32mm x 20mm	R7.50
SWTRB032025	32mm x 25mm	R6.48
SWTRB040020	40mm x 20mm	R10.00
SWTRB040025	40mm x 25mm	R9.91
SWTRB040032	40mm x 32mm	R7.33
SWTRB050025	50mm x 25mm	R16.23
SWTRB050032	50mm x 32mm	R16.00
SWTRB050040	50mm x 40mm	R14.00



uPVC SOLVENT WELD THREADED SOCKET



NEW

CODE	SIZE	PRICE
SWTS015	15mm	R4.00
SWTS020	20mm	R6.10
SWTS025	25mm	R9.23
SWTS032	32mm	R14.80
SWTS040	40mm	R21.20
SWTS050	50mm	R31.78

uPVC SOLVENT WELD FEMALE THREADED UNION



NEW

CODE	SIZE	PRICE
SWTU015	15mm	R14.80
SWTU020	20mm	R16.48
SWTU025	25mm	R27.68
SWTU032	32mm	R47.00
SWTU040	40mm	R62.89
SWTU050	50mm	R95.60

uPVC SOLVENT WELD FEMALE THREADED CAP



NEW

NOTE : BSP/Inches part is actual size

CODE	SIZE	PRICE
SWTFC025-3/4"	25mm	R2.17
SWTFC032-1"	32mm	R3.38
SWTFC040-1 1/4"	40mm	R5.63
SWTFC050-1 1/2"	50mm	R9.34
SWTFC063-2"	63mm	R12.14

