

# VYRSA



VYRSA INFO .....	Pg. 188
AIR VALVES & REGULATORS.....	Pg. 189
VYRSA SPRINKLERS .....	Pg. 190 - 221
VYRSA ROTEC .....	Pg. 222 - 223
IR-JUNIOR .....	Pg. 224



**SPRINKLER COMPARISON TABLE**

VYRSA	RAIN BIRD	NAAN	NELSON	FARM	RAIN	AQUA
35	30H		F33	RC130	15	AQ-20
36	46	5035	F44	RC160	14	AQ-46
70	14070H		F43	RC140		AQ-25
46	20LA/14V	223/5024				
6001	35H		P30	RC135		AQ-20PC
6610				RC235		AQ-46PC
8004/5004	25H	423	P20		22	AQ-05PC
8020		427S		RC225	13	AQ-22PC
155	80H	255	F80			
56				RC260		
26		5022FC			11	AQ-22
86	70	344	F70P			AQ-30P

**NOZZLE SIZES – CONVERSION TABLE (ONLY APPLICABLE TO 20mm SPRINKLERS)**

INCH	MM	NYLON COLOUR	INCH	MM	NYLON COLOUR	INCH	MM	NYLON COLOUR
1/16	1.6	N/A	3/16	4.8	RED	3/8	9.6	N/A
5/64	2.0	N/A	13/64	5.2	WHITE	7/16	11.0	N/A
3/32	2.4	PINK	7/32	5.6	BLUE	15/32	12.0	N/A
7/64	2.8	N/A	15/64	6.0	N/A	<b>NOTE:</b> Every 1/64 inch = 0,4mm (by nearest 0,01)		
1/8R	3.2	PURPLE	1/4	6.4	N/A			
1/8SP	3.2	YELLOW SMALL	9/32	7.0	N/A			
9/64	3.6	GREY	19/64	7.6	N/A			
5/32	4.0	TURQUOISE	5/16	8.0	N/A			
11/64	4.4	YELLOW						

**INCREASED ENERGY EFFICIENCY  
HIGH COEFFICIENTS UNIFORMITY  
WATER SAVING**



**VYRSA AIR VALVES & PRESSURE REGULATORS**

**AIR VALVES**



CODE	SIZE	PRICE
VYR39-S	25	R357.00
VYR39-A	50	R838.97

• Double or triple action kinetic air valves to extract and impel air from and into irrigation systems. • Made of nylon 6.6 and reinforced with 30% fibreglass. Rubber closure gasket and polystyrene float. • Operating range of 0.2 to 15 bar. • Continuous operation. • Automatic effect. • It extracts the air from the installation while the pipelines are filling. When the water reaches the inside of the valve, the float rises and closes the discharge outlet. • It provides automatic control, eliminating any residual air pockets from reaching the valve. This causes the float to drop, partially or totally opening the discharge outlet. The system pressure does not prevent this function from being carried out. (ONLY IN TRIPLE FUNCTION VALVES)

**AIR VALVES SPARES**

CODE	SIZE	PRICE
VYR39-Rubber	ALL	R27.85
VYR39A-OR	50	R11.41
VYR39A-Gasket	50	R11.41
VYR39S-OR	25	R5.70

**PRESSURE REGULATORS MEDIUM FLOW**



CODE	SIZE (BAR)	PRICE
VYR19-6PSI	0.41 BAR	R175.51
VYR19-10PSI	0.70 BAR	R175.51
VYR19-15PSI	1.00 BAR	R268.47
VYR19-20PSI	1.38 BAR	R175.51
VYR19-25PSI	1.73 BAR	R175.51
VYR19-30PSI	2.07 BAR	R175.51
VYR19-40PSI	2.76 BAR	R175.51
VYR19-50PSI	3.45 BAR	R175.51



VYRSA SPRINKLERS

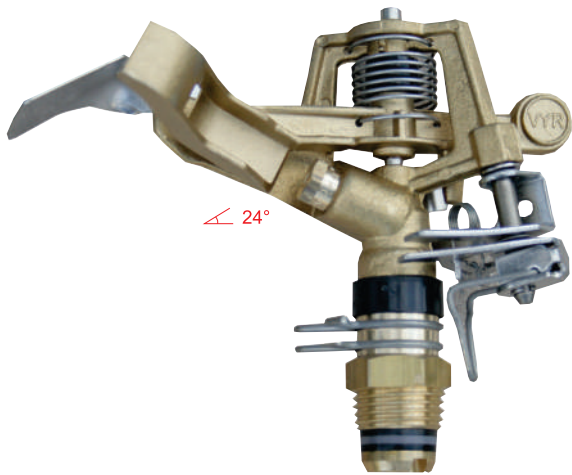
# VYRSA 8004



**MANUFACTURED IN SPAIN**  
**INCREASED ENERGY EFFICIENCY**  
**HIGH COEFFICIENTS UNIFORMITY**  
**WATER SAVING**

1/2" (15mm)

**PART CIRCLE**



**"Standard nozzle is 4mm"**  
**(Other nozzle size is not always stock item)**

### DIMENSIONS

Height : 14 cm.  
Width : 12 cm.  
Weight : 266 g.  
Units per box : 75

### GENERAL PROPERTIES

- Riser-mounted impact sprinkler for gardening, agriculture, flower growing and greenhouses.
- 1/2" male connection.
- Made of brass and stainless steel.
- High-resistance rotating joints.
- Arm with anti-splash design.
- Adjustable deflector plate.
- Irrigation area system controlled by rotating clips.
- Adjustable jet breaker diffuser pin.

### TECHNICAL SPECIFICATIONS

- Range distance: **9 - 14 m** .
- Flow: 460 - 1180 L/H.
- Working pressure: 1,5 - 4 BAR.
- Area: **Full or part circle.**
- Nozzles: A multi-jet nozzle.
- Trajectory angles: **24°**
- Maximum stream height: 2.6 m .
- Rotation time: Adjustable. Depending on the pressure and the nozzles, the rotation will be constant and continuous.

OPTION	CODE	PRICE
With one brass nozzle	VYR8004	R383.58
Loose nozzles (Brass)	NZ <b>Size?</b> .....MM-80	R20.47

**This sprinkler is strong and durable enough to work for many years in urban gardens in tough conditions.**

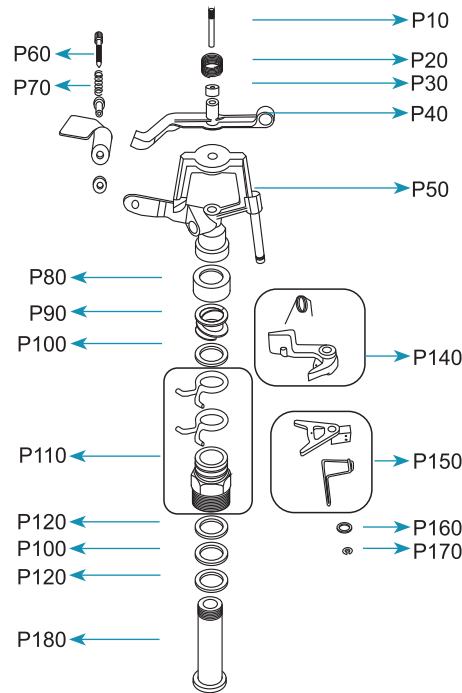
**MANUFACTURED IN SPAIN**  
**INCREASED ENERGY EFFICIENCY**  
**HIGH COEFFICIENTS UNIFORMITY**  
**WATER SAVING**



**VYRSA SPRINKLERS**  
**VYRSA 8004**

**PART CIRCLE**

**1/2" (15mm)**



CODE	PRICE
P10-8004	R19.97
P20-8004	R22.83
P30-8004	R7.00
P40-8004	R74.19
P50-8004	R148.38
P60-8004	R22.83
P70-8004	R14.27
P80-8004	R7.00
P90-8004	R28.53
P100-8004	R14.27
P110-8004	R122.00
P120-8004	R11.41
P140-8004	R48.51
P150-8004	R51.36
P160-8004	R2.85
P170-8004	R2.00
P180-8004	R71.34

**TECHNICAL GUIDANCE TABLE**

NOZZLE	Spacing (m) / Precipit. rate (mm/h)						
	BAR	9x9 T	9x10 T	9x12 T	10x10 T	10x12 T	12x12
3mm 1/8"	2,5	7,7	7,4	6,3	5,3	4,6	3,5
	3	8,2	7,8	6,6	6	5,2	4
	3,5	8,9	8,4	7,9	7,6	6,8	5,5
3,5mm 9/64"	2,5	9,7	9	7,6	7,3	6,6	5,5
	3	10,6	9,8	8,3	8	7,2	6
	3,5	11,5	10,6	8,9	8,6	7,8	6,5
4mm 5/32"	2,5	12	11,1	9,3	9	8,1	6,8
	3	13,1	12,1	10,2	9,8	8,9	7,4
	3,5	14,2	13,1	11	10,6	9,6	8

CU < 85% CU 85-88% CU 88-92% CU > 92%

**PERFORMANCE NOZZLE TABLE**

NOZZLE	3mm		3.5mm		4mm	
	BAR	L / H	Ø m	L / H	Ø m	Ø m
1.5	450	20	580	21	730	22
2.0	510	21	660	22	850	23
2.5	550	22	740	23	950	24
3.0	630	23	810	23	1030	24
3.5	680	23	870	24	1110	25
4.0	720	24	930	25	1180	26

Not recommended for best distribution Indicates standard nozzle size Only for full circle series

- Standard nozzles will be supplied with sprinklers . Please specify when different nozzles are required which will be additionally supplied.  
 - These results has been obtained at indoor laboratory with 0m/sec wind velocity. Outdoor results may change range distance.

VYRSA SPRINKLERS

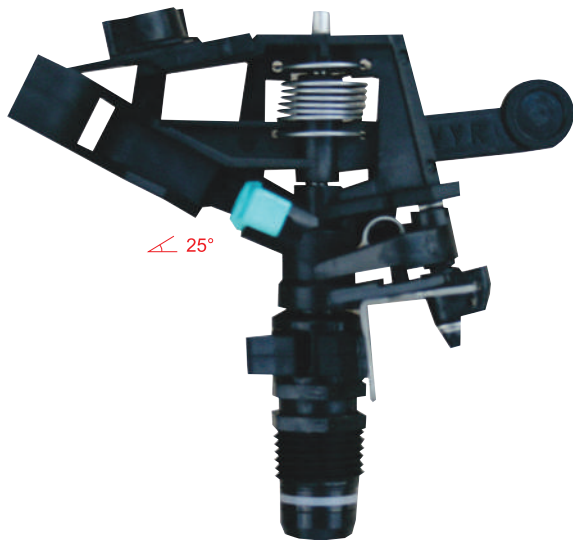
# VYRSA 8020



**MANUFACTURED IN SPAIN**  
**INCREASED ENERGY EFFICIENCY**  
**HIGH COEFFICIENTS UNIFORMITY**  
**WATER SAVING**

1/2" (15mm)

**PART CIRCLE**



**"Standard nozzle is 4mm"**  
**(Other nozzle size is not always stock item)**

### DIMENSIONS

Height : 13 cm.  
Width : 12 cm.  
Weight : 80 g.  
Units per box : 100

### GENERAL PROPERTIES:

- Part-circle plastic impact sprinkler for gardening, agriculture, floriculture and greenhouses.
- 1/2" male connection.
- Made of plastic and stainless steel.
- High-resistance rotating joints.
- Arm with anti-splash design.
- Adjustable deflector plate.
- Upper "clip" for positioning inside a casing.
- Irrigation area system controlled by rotating clips.
- Adjustable jet breaker diffuser pin.
- Its versatility and adaptability to all type of gardens
- This model is also used in low flow agricultural irrigation systems as a complementary part-circle model to VYR-26.

### TECHNICAL SPECIFICATIONS:

- Reach: **10 - 13m.**
- Flow: 460 - 1180 L/H.
- Working pressure: 1,5 - 4 BAR.
- Area: **Full or part circle.**
- Nozzles: A multi-jet nozzle.
- Trajectory angles: **25°**
- Maximum stream height: 2,5m.
- Rotation time: Adjustable. Depending on the pressure and the nozzles, the rotation will be constant and continuous.

OPTION	CODE	PRICE
With one nylon nozzle	VYR8020	R128.87
Loose nozzles (Nylon)	PL8020NZ <small>Size?</small> MM	R5.00

**Public and private gardens.**  
**Horticultural plantations, floriculture and fruit trees.**

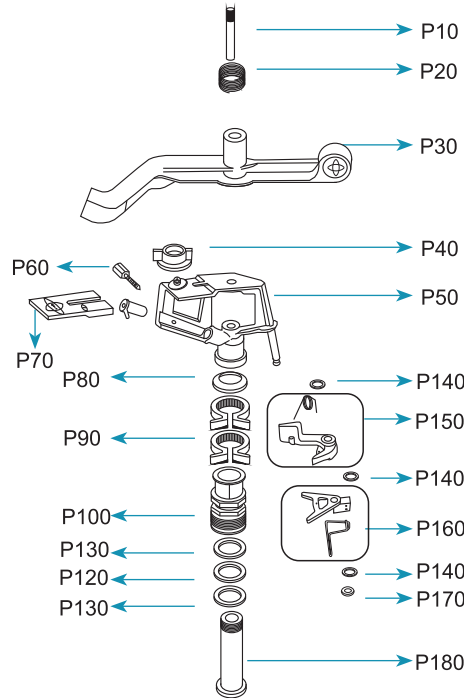
**MANUFACTURED IN SPAIN  
INCREASED ENERGY EFFICIENCY  
HIGH COEFFICIENTS UNIFORMITY  
WATER SAVING**



**VYRSA SPRINKLERS  
VYRSA 8020**

**PART CIRCLE**

**1/2" (15mm)**



CODE	PRICE
P10-8020	R19.97
P20-8020	R22.83
P30-8020	R6.00
P40-8020	R14.27
P50-8020	R42.50
P60-8020	R14.27
P70-8020	R19.97
P80-8020	R11.41
P90-8020	R2.85
P100-8020	R31.39
P120-8020	R14.27
P130-8020	R11.41
P140-8020	R2.85
P150-8020	R20.00
P160-8020	R65.63
P170-8020	R6.00
P180-8020	R11.00

**TECHNICAL GUIDANCE TABLE**

NOZZLE	Spacing (m) / Precipit. rate (mm/h)						
	BAR	9x9 T	9x10 T	9x12 T	10x10 T	10x12 T	12x12
3mm 1/8"	2,5	6,7	6	4,6	4,3	4,1	3,5
	3	7,6	6,8	5,3	5	4,7	4
	3,5	8,5	7,6	5,9	5,6	5,3	4,5
3,5mm 9/64"	2,5	9	8,1	6,3	6	5,6	4,8
	3	10,1	9,1	7,2	6,8	6,4	5,4
	3,5	11,2	10,1	8	7,6	7,1	6
4mm 5/32"	2,5	11,5	10,4	8,3	7,9	7,3	6,2
	3	12,9	11,7	9,4	8,9	8,2	6,9
	3,5	14,2	12,9	10,4	9,8	9,1	7,7

CU < 85% CU 85-88% CU 88-92% CU > 92%

**PERFORMANCE NOZZLE TABLE**

NOZZLE	3mm		3.5mm		4mm	
	BAR	L / H	Ø m	L / H	Ø m	L / H Ø m
1.5	450	20	580	21	730	22
2.0	510	21	660	22	850	23
2.5	550	22	740	23	950	24
3.0	630	23	810	23	1030	24
3.5	680	23	870	24	1110	25
4.0	720	24	930	25	1180	26

Not recommended for best distribution Indicates standard nozzle size Only for full circle series

- Standard nozzles will be supplied with sprinklers . Please specify when different nozzles are required which will be additionally supplied.  
- These results has been obtained at indoor laboratory with 0m/sec wind velocity. Outdoor results may change range distance.

VYRSA SPRINKLERS

# VYRSA 25



**MANUFACTURED IN SPAIN**  
**INCREASED ENERGY EFFICIENCY**  
**HIGH COEFFICIENTS UNIFORMITY**  
**WATER SAVING**

1/2" (15mm)

**FULL CIRCLE**



**"Standard nozzle is 3.6mm"**  
**(Other nozzle size is not always stock item)**

### GENERAL PROPERTIES:

- Low angle and low flow agricultural impact sprinkler.
- 1/2" male connection.
- Made of bronze, brass and stainless steel.
- High-resistance rotating joints.

### TECHNICAL SPECIFICATIONS:

- Range distance: **8 - 13 m.**
- Flow: 260 - 1180 L/H .
- Working pressure: 1,7 - 4,5 BAR.
- Area: **Full circle.**
- Nozzles: One nozzle.
- Trajectory angles: **15°**
- Maximum stream height: 1,5 m.
- Rotation time: Depending on the pressure and the nozzles, the rotation will be constant and continuous.

### DIMENSIONS

Height : 11 cm.  
Width : 11 cm.  
Weight : 236 g.  
Units per box : 100

OPTION	CODE	PRICE
With one brass nozzle	VYR25	R294.98
Loose nozzles (Brass)	NZ ..... <sup>Size?</sup> MM-25	R11.75

**Low flow crops and horticulture. Ideal for areas with strong winds and irrigation under trees.**



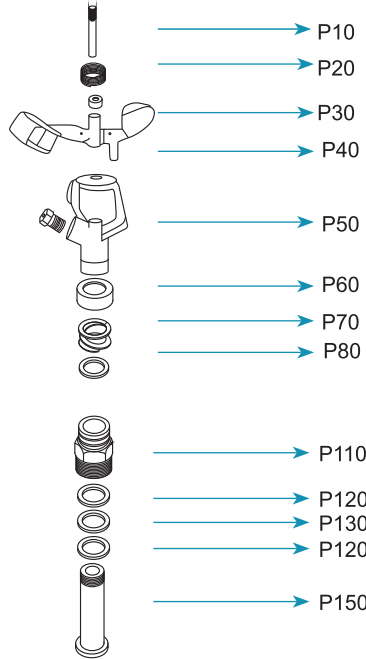
**MANUFACTURED IN SPAIN  
INCREASED ENERGY EFFICIENCY  
HIGH COEFFICIENTS UNIFORMITY  
WATER SAVING**



**VYRSA SPRINKLERS  
VYRSA 25**

**FULL CIRCLE**

**1/2" (15mm)**



CODE	PRICE
P10-25	R22.83
P20-25	R22.83
P30-25	R8.00
P40-25	R7.00
P50-25	R7.00
P60-25	R74.19
P70-25	R148.38
P80-25	R8.00
P90-25	R28.53
P100-25	R14.27
P110-25	R40.46
P120-25	R11.41
P130-25	R14.27
P150-25	R71.34

**TECHNICAL GUIDANCE TABLE**

NOZZLE	Spacing (m) / Precipit. rate (mm/h)						
	BAR	9x9 T	9x10 T	9x12 T	10x10 T	10x12 T	12x12
2,4mm	2	4,4	4	3,3	3,6	3	2,5
	2,5	4,9	4,4	3,7	4	3,3	2,7
	3	5,2	4,7	3,9	4,3	3,5	3
	3,5	5,6	5,1	4,2	4,6	3,8	3,2
2,8mm	2	5,6	5	4,2	4,5	3,8	3,1
	2,5	6,1	5,5	4,6	5	4,1	3,4
	3	6,5	5,9	4,9	5,3	4,4	3,7
	3,5	7	6,3	5,3	5,7	4,8	4
3,2mm	2	6,8	6,1	5,1	5,5	4,6	3,8
	2,5	7,4	6,7	5,6	6	5	4,2
	3	8	7,2	6	6,5	5,4	4,5
	3,5	8,6	7,7	6,4	7	5,8	4,8
3,6mm	2	7,9	7,1	5,9	6,4	5,3	4,4
	2,5	8,7	7,8	6,5	7,0	5,9	4,9
	3	9,4	8,5	7,1	7,6	6,4	5,3
	3,5	10,1	9,1	7,6	8,2	6,8	5,7

T: Triang. CU < 85% CU 85-88% CU 88-92% CU > 92%

**PERFORMANCE NOZZLE TABLE**

NOZZLE	2,8mm		3mm		3,2mm		R 3,6mm	
	L / H	Ø m	L / H	Ø m	L / H	Ø m	L / H	Ø m
1,5	384	20	480	20	516	20	720	18
2	420	20	546	20	594	22	822	20
2,5	480	20	600	22	636	22	918	20
3	516	22	642	22	702	22	966	20
3,5	564	22	702	22	720	22	1062	20
4	606	22	744	22	750	24	1140	20

Indicates standard nozzle size Only for full circle series

- Standard nozzles will be supplied with sprinklers . Please specify when different nozzles are required which will be additionally supplied.  
- These results has been obtained at indoor laboratory with 0m/sec wind velocity. Outdoor results may change range distance.

VYRSA SPRINKLERS

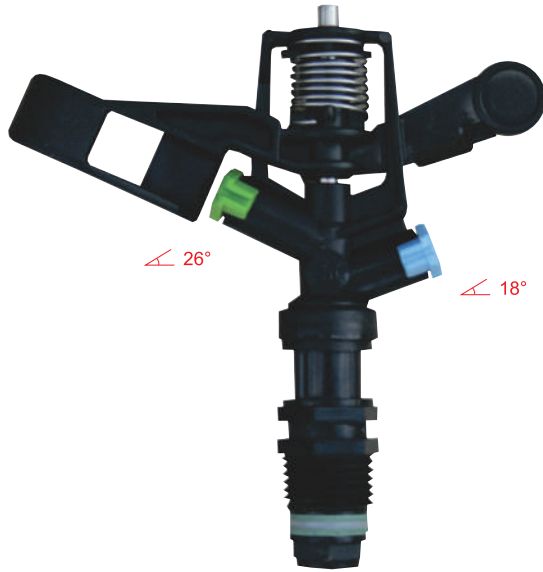
# VYRSA 26



**MANUFACTURED IN SPAIN**  
**INCREASED ENERGY EFFICIENCY**  
**HIGH COEFFICIENTS UNIFORMITY**  
**WATER SAVING**

1/2" (15mm)

**FULL CIRCLE**



**"Standard nozzles are 3.0 x 1.6mm"**  
**(Other nozzle size is not always stock item)**

### DIMENSIONS

Height : 12 cm.  
Width : 12 cm.  
Weight : 51 g.  
Units per box : 300

### GENERAL PROPERTIES

- Riser-mounted low flow sprinkler.
- 1/2" male connection.
- Made of plastic delrin and stainless steel.
- High-resistance rotating joints.
- Quick-coupling bayonet nozzles, color-coded for easy identification.
- GERMINATION models.
- Three different positions for spring tension.

### TECHNICAL SPECIFICATIONS

- Range distance: **8 - 12 m.**
- Flow: 157 - 1249 L/H.
- Working pressure: 1,5 - 3,5 BAR.
- Area: **Full circle.**
- Nozzles: Two nozzles, one long range and the other short range.
- Trajectory angles: **26° and 18°**
- Maximum height of waterjet: 3 m.
- Rotation time: Depending on the pressure and the nozzles, the rotation will be constant and continuous (adjustable).

OPTION	CODE	PRICE
With two nylon nozzles	VYR26	R76.85
Loose nozzles (Nylon)	PL26NZ <small>Size?MM</small> <small>Add "SP" for Spreader</small>	R5.00
Nylon plugs	PL26NZPLUG	R5.00

**Low flow irrigation such as cotton, vegetables, floriculture, strawberry plants, etc**

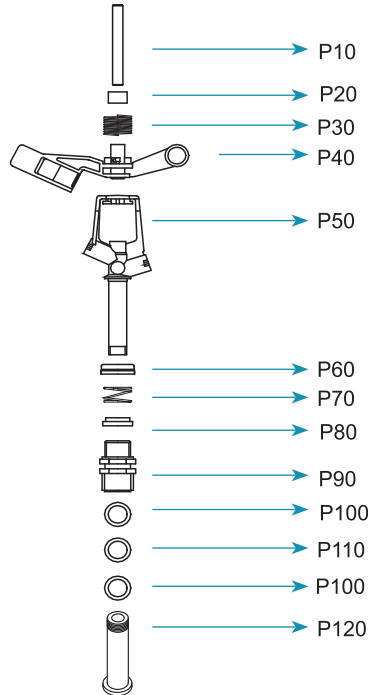
**MANUFACTURED IN SPAIN**  
**INCREASED ENERGY EFFICIENCY**  
**HIGH COEFFICIENTS UNIFORMITY**  
**WATER SAVING**



**VYRSA SPRINKLERS**  
**VYRSA 26**

**FULL CIRCLE**

**1/2" (15mm)**



CODE	PRICE
P10-26	R19.97
P20-26	R5.71
P30-26	R11.41
P40-26	R12.00
P50-26	R12.10
P60-26	R12.30
P70-26	R11.41
P80-26	R12.00
P90-26	R31.39
P100-26	R11.00
P110-26	R11.00
P120-26	R12.20

**TECHNICAL GUIDANCE TABLE**

NOZZLE	Spacing (m) / Precipit. rate (mm/h)								
	BAR	10x10	10x10 T	10x12	12x12	12x12 T	12x14	14x14	14x14 T
2,5mm x 1,6mm	2,5	5,4	5,4	4,5	3,8	3,8	3,2	2,8	2,8
	3	5,9	5,9	4,9	4,1	4,1	3,5	3	3
	3,5	5,7	5,7	4,8	4	4	3,4	2,9	2,9
2,8mm x 1,6mm	2	6,8	6,8	5,7	4,7	4,7	4	3,4	3,4
	3	7,4	7,4	6,1	5,1	5,1	4,3	3,7	3,7
	4	8	8	6,6	5,5	5,5	4,7	4	4
3mm x 1,6mm	2	7,5	7,5	6,2	5,2	5,2	4,4	3,8	3,8
	3	8,3	8,3	6,6	5,6	5,6	4,8	4,1	4,1
	4	8,8	8,8	7	6,1	6,1	5,2	4,4	4,4
3,2mm x 2,4mm	2	8,1	8,1	6,7	5,6	5,6	4,8	4,1	4,1
	3	8,8	8,8	7,3	6,1	6,1	5,2	4,4	4,4
	4	9,6	9,6	8	6,5	6,5	5,6	4,8	4,8
3,6mm x 2,4 mm	2	10	10	8,6	7,2	7,2	6,1	5,2	5,2
	3	11	11	9,5	7,8	7,8	6,5	5,5	5,5
	4	11	11	10	8,3	8,3	7	5,9	5,9
4mm x 2,4mm	2	12	12	10,2	8,5	8,5	7,2	6,2	6,2
	3	13	13	11,1	9,3	9,3	7,8	6,6	6,6
	4	13	13	11,9	10	10	8,4	7,1	7,1

T: Triang. CU 85-88% CU 88-92% CU > 92%

**PERFORMANCE NOZZLE TABLE**

NOZZLE	1.6mm		2.4mm		2.5mm		2.6mm		2.8mm		3mm		3.2mm		3.6mm	
	L/H	Ø m	L/H	Ø m	L/H	Ø m	L/H	Ø m	L/H	Ø m	L/H	Ø m	L/H	Ø m	L/H	Ø m
2.0	100	8	227	10	245	18	270	18	433	20	497	20	565	20	716	20
2.5	112	8	254	10	275	18	303	18	484	20	556	20	632	20	800	22
3.0	123	8	278	10	310	18	336	18	530	20	609	20	693	20	876	22
3.5	133	10	300	12	335	20	376	20	573	20	657	20	748	20	947	22
4.0	142	10	321	12	365	20	421	20	612	20	703	20	800	20	1012	22

Not recommended for best distribution Indicates standard nozzle size

- Standard nozzles will be supplied with sprinklers . Please specify when different nozzles are required which will be additionally supplied.
- In order to calculate the flow, add the flows of the two nozzles.
- These results has been obtained at indoor laboratory with 0m/sec wind velocity. Outdoor results may change range distance.

## VYRSA SPRINKLERS

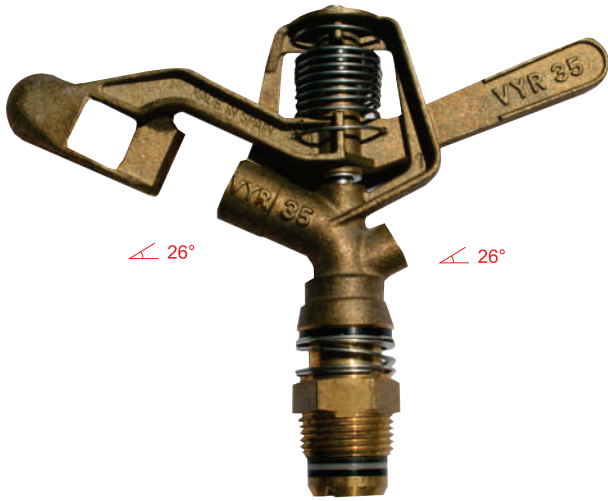
# VYRSA 35



**MANUFACTURED IN SPAIN**  
**INCREASED ENERGY EFFICIENCY**  
**HIGH COEFFICIENTS UNIFORMITY**  
**WATER SAVING**

3/4" (20mm)

**FULL CIRCLE - SPACING 12m - 18m**



### GENERAL PROPERTIES

- Medium flow agricultural impact sprinkler.
- 3/4" male connection.
- Made of brass and stainless steel.
- High-resistance rotating joints.
- Designed for full coverage irrigation offering best compliance with spacing standards in the market.
- Leading sprinkler in the agricultural market.

### TECHNICAL SPECIFICATIONS

- Range distance: **13 - 18 m.**
- Flow: 660 - 3270 L/H
- Working pressure: 1,75 - 4,5 BAR.
- Area: **Full circle.**
- Nozzles: Two nozzles: one main nozzle and a secondary deflector nozzle or plug.
- Trajectory angles: **26° and 26°**
- Maximum stream height: 4,2 m.
- Rotation time: Depending on the pressure and the nozzles, the rotation will be constant and continuous.

### DIMENSIONS

Height : 14 cm.  
 Width : 17 cm.  
 Weight : 430 g.  
 Units per box : 50

OPTION	CODE	PRICE
Without nozzle	VYR35	R 376.19
With one nylon nozzle and nylon plug	VYR35-1	R382.56
With two nylon nozzles	VYR35-2	R386.25
With one brass nozzle and nylon plug	VYR35-3	R398.00
With two brass nozzles	VYR35-4	R417.13
Loose nozzles (Brass)	NZ <u>Size?</u> Add "SP" for Spreader	R20.47
Loose nozzles (Nylon)	PLNZ <u>Size?</u> Add "SP" for Spreader	R5.00
Nylon plugs	PLUG	R1.34
Brass plugs	NZBRASS-35	R14.77

**This model is compatible with almost any type of crop and with a wide range of pluviometric and spacing conditions.**

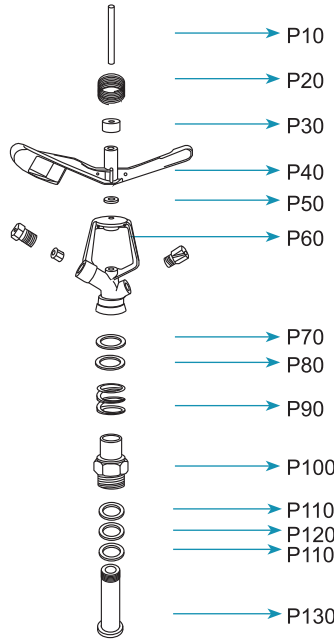
**MANUFACTURED IN SPAIN**  
**INCREASED ENERGY EFFICIENCY**  
**HIGH COEFFICIENTS UNIFORMITY**  
**WATER SAVING**



**VYRSA SPRINKLERS**  
**VYRSA 35**

**FULL CIRCLE - SPACING 12m - 18m**

**3/4" (20mm)**



CODE	PRICE
P10-35/56	R22.83
P20-35/36/56	R28.53
P30-35	R8.00
P40-35	R156.94
P50-35	R6.00
P60-35	R219.71
P70-35/56/70	R28.53
P80-35/56/70	R19.97
P90-35/70	R31.39
P100-35/70	R136.96
P110/130-35/36/46/56/70	R11.41
P120-35/36/46/56/70	R14.27
P130-35/70	R119.84

**TECHNICAL GUIDANCE TABLE**

NOZZLE	Spacing (m) / Precipit. rate (mm/h)				
	BAR	12x15 T	15x15 T	15x18 T	18x18 T
4,0mm x 2,4mm 5/32" x 3/32"	3	9,9	7,9	6,3	5,9
	3,5	10,7	8,6	6,8	6,3
	4	11,4	9,1	7,3	6,8
	5	11,9	9,6	7,8	7,3
4,4mm x 2,4mm 11/64" x 3/32"	3	11,2	9	7,4	6,8
	3,5	12,3	9,9	7,9	7,3
	4	13,2	10,6	8,4	7,8
	5	13,8	11,2	9	8,4
4,8mm x 3,2mm 3/16" x 1/8"SP	3	13,1	10,5	8,4	7,7
	3,5	14,2	11,3	9,1	8,4
	4	15,1	12,1	9,7	8,9
	5	15,7	12,7	10,4	9,6
5,2mm x 3,2mm 13/64" x 1/8"SP	3	17,4	13,8	10,8	9,7
	3,5	18,3	14,7	11,7	10,8
	4	19,6	15,7	12,5	11,6
	5	20,8	16,9	13,7	12,8

T: Triang. CU 85-88% CU 88-92% CU > 92%

**PERFORMANCE NOZZLE TABLE**

**Long Range Nozzle (long vane) + plug**

NOZZLE	3.2mm 1/8"R		3.6mm 9/64"		4mm 5/32"		4.4mm 11/64"		4.8mm 3/16"		5.2mm 13/64"		5.6mm 7/32"	
	BAR	L/H	Ø m	L/H	Ø m	L/H	Ø m	L/H	Ø m	L/H	Ø m	L/H	Ø m	
2.5	620	26	790	26.5	1970	27.5	1160	30	1390	32	1640	32.5	1720	34
3.0	680	26	860	26.5	1050	28	1270	30.5	1510	32	1790	33.5	1880	35
3.5	740	26.5	930	27	1140	29.5	1380	31.5	1640	33	1930	34.5	2140	36
4.0	790	26.5	1000	28	1220	29.5	1470	32.5	1750	34	2060	35.5	2240	37
4.5	840	27	1060	29	1290	30	1550	33.5	1860	35	2180	36	2410	38.5

**Long Range Nozzle (long vane) + short range nozzle**

NOZZLE	3.2mm x 2.4mm 1/8"R x 3/32"		3.6mm x 2.4mm 9/64" x 3/32"		4mm x 2.4mm 5/32" x 3/32"		4.4mm x 2.4mm 11/64" x 3/32"		4.8mm x 3.2mm 3/16" x 1/8"SP		5.2mm x 3.2mm 13/64" x 1/8"SP		5.6mm x 3.2mm 7/32" x 1/8"SP	
	BAR	L/H	Ø m	L/H	Ø m	L/H	Ø m	L/H	Ø m	L/H	Ø m	L/H	Ø m	
2.5	980	26	1150	26.5	1320	27.5	1520	30	2050	32	2310	32.5	2460	34
3.0	1070	26	1250	26.5	1450	28	1670	30.5	2240	32	2520	33.5	2730	35
3.5	1160	26.5	1350	27	1560	29.5	1800	31.5	2420	33	2720	34.5	2915	36
4.0	1240	26.5	1450	28	1670	29.5	1920	32.5	2590	34	2910	35.5	3035	37
4.5	1320	27	1540	29	1770	30	2030	33.5	2750	35	3070	36	3170	38.5

(Sprinkler at 1 meter height)

Not recommended for best distribution Indicates standard nozzle size

- When nozzles are ordered with sprinklers they will be supplied with standard nozzles unless otherwise specified.
- These results has been obtained at indoor laboratory with 0m/sec wind velocity. Outdoor results may change range distance.

## VYRSA SPRINKLERS

# VYRSA 36



**MANUFACTURED IN SPAIN**  
**INCREASED ENERGY EFFICIENCY**  
**HIGH COEFFICIENTS UNIFORMITY**  
**WATER SAVING**

3/4" (20mm)

**FULL CIRCLE - SPACING 12m - 18m**



### DIMENSIONS

Height : 14 cm.  
 Width : 17 cm.  
 Weight : 178 g.  
 Units per box : 100

### GENERAL PROPERTIES:

- Medium flow agricultural impact sprinkler.
- 3/4" male connection.
- Made of plastic and stainless steel.
- High-resistance rotating joints.
- Used in full coverage irrigation with the best compliance with spacing standards in the market.
- Curved design of the internal angles of the body to avoid internal hydraulic turbulence and for greater reach.
- Nickel plating steel ball counterweights inserted in the arm.
- Plastic sprinkler, leader in the agricultural market.

### TECHNICAL SPECIFICATIONS

- Range distance: **13 - 18 m.**
- Flow: 660 - 3270 L/H
- Working pressure: 1,75 - 4,5 BAR.
- Area: **Full circle.**
- Nozzles: Two nozzles: one main nozzle and a secondary deflector nozzle or plug.
- Trajectory angles: **25° and 25°**
- Maximum stream height: 4 m.
- Rotation time: Depending on the pressure and the nozzles, the rotation will be constant and continuous.

OPTION	CODE	PRICE
Without nozzle	VYR36	R102.69
With one nylon nozzle and nylon plug	VYR36-1	R 109.00
With two nylon nozzles	VYR36-2	R112.75
With one brass nozzle and nylon plug	VYR36-3	R124.50
With two brass nozzles	VYR36-4	R143.63
Loose nozzles (Brass)	NZ <small>Size?</small> <small>Add "SP" for Spreader</small>	R20.47
Loose nozzles (Nylon)	PLNZ <small>Size?</small> <small>Add "SP" for Spreader</small>	R5.00
Nylon plugs	PLUG	R1.34
Brass plugs	NZBRASS-35	R14.77

### VYRSA 36-BT



Standard with 6 x Nylon Nozzles and plug in a bag and tagged.

CODE	PRICE
VYR36-BT	R134.00

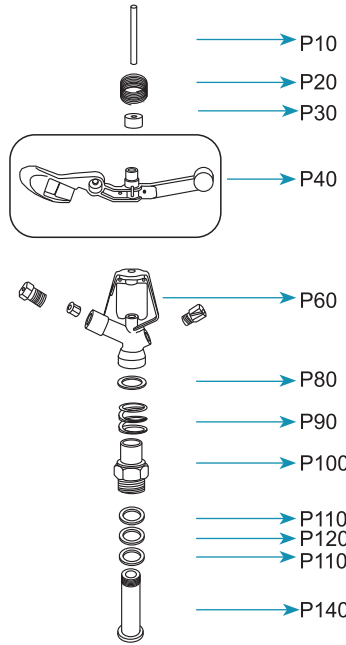
2,4mm	3,2mm	3,6mm	4,0mm	4,4mm	4,8mm	PLUG
3/32"SP	1/8"SP	9/64"	5/32"	11/64"	3/16"	

**MANUFACTURED IN SPAIN**  
**INCREASED ENERGY EFFICIENCY**  
**HIGH COEFFICIENTS UNIFORMITY**  
**WATER SAVING**



**VYRSA SPRINKLERS**  
**VYRSA 36**

**FULL CIRCLE - SPACING 12m - 18m** **3/4" (20mm)**



CODE	PRICE
P10-36	R22.83
P20-35/36/56	R28.53
P30-36	R7.42
P40-36	R57.00
P60-36	R85.60
P80-36	R12.00
P90-36/56	R28.53
P100-36/46/56	R34.24
P110/130-35/36/46/56/70	R11.41
P120-35/36/46/56/70	R14.27
P140-36/46/56/66	R34.24

**TECHNICAL GUIDANCE TABLE**

NOZZLE	Spacing (m) / Precipit. rate (mm/h)						
	BAR	12x12	12x15	15x15	15x15 T	15x18 T	18x18
3,6mm x 2,4mm 9/64" x 3/32"	3	8,5	6,8	5,4	5	3,7	3,8
	3,5	9,2	7,4	5,9	5,4	4	4,1
	4	9,8	7,9	6,3	5,8	4,3	4,4
4,0mm x 2,4mm 5/32" x 3/32"	3	9,9	7,9	6,3	5,9	4,3	4,4
	3,5	10,7	8,6	6,8	6,3	4,7	4,8
	4	11,4	9,1	7,1	6,8	5	5,1
4,4mm x 2,4mm 11/64" x 3/32"	3	12,2	9,9	7,3	7	5,8	4,8
	3,5	13,1	10,8	7,1	7,5	6	5
	4	14	11,9	8,3	8	7,2	5,4
4,8mm x 3,2mm 3/16" x 1/8"SP	3	15,1	12,1	9,7	9	6,6	6,7
	3,5	16,3	13,1	10,5	9,7	7,1	7,3
	4	17,5	14	11,2	10,3	7,6	7,8

T: Triang. CU < 85% CU 85-88% CU 88-92% CU > 92%

**PERFORMANCE NOZZLE TABLE**

**Long Range Nozzle (long vane) + plug**

NOZZLE	3,2mm 1/8"R		3,6mm 9/64"		4mm 5/32"		4,4mm 11/64"		4,8mm 3/16"		5,2mm 13/64"		5,6mm 7/32"	
	BAR	L/H	Ø m	L/H	Ø m	L/H	Ø m	L/H	Ø m	L/H	Ø m	L/H	Ø m	
2	565	26	760	26,5	883	27,5	1069	28,5	1272	30	1493	31	1732	32
2,5	620	26	790	26,5	970	27,5	1160	29	1390	31	1640	31,5	1720	33
3	680	26	860	26,5	1050	28	1270	29,5	1510	32	1790	32,5	1880	34
3,5	740	26,5	930	27	1140	29,5	1380	31	1640	33	1930	33,5	2140	35
4	790	26,5	1000	28	1220	29,5	1470	32	1750	33,5	2060	34,5	2240	36
4,5	840	27	1060	29	1290	30	1550	32,5	1860	34	2180	35	2410	36,5

**Long Range Nozzle (long vane) + short range nozzle**

NOZZLE	3,2mm x 2,4mm 1/8"R x 3/32"		3,6mm x 2,4mm 9/64" x 3/32"		4mm x 2,4mm 5/32" x 3/32"		4,4mm x 2,4mm 11/64" x 3/32"		4,8mm x 3,2mm 3/16" x 1/8"SP		5,2mm x 3,2mm 13/64" x 1/8"SP		5,6mm x 3,2mm 7/32" x 1/8"SP	
	BAR	L/H	Ø m	L/H	Ø m	L/H	Ø m	L/H	Ø m	L/H	Ø m	L/H	Ø m	
2	883	26	1034	26,5	1201	27,5	1387	28,5	1837	30	2058	31	2297	32
2,5	980	26	1150	26,5	1320	27,5	1520	29	2050	31	2310	31,5	2460	33
3	1070	26	1250	26,5	1450	28	1670	29,5	2240	32	2520	32,5	2730	34
3,5	1160	26,5	1350	27	1560	29,5	1800	31	2420	33	2720	33,5	2915	35
4	1240	26,5	1450	28	1670	29,5	1920	32	2590	33,5	2910	34,5	3035	36
4,5	1320	27	1540	29	1770	30	2030	32,5	2750	34	3070	35	3170	36,5

Not recommended for best distribution Indicates standard nozzle size (Sprinkler at 1 meter height)

- When nozzles are ordered with sprinklers they will be supplied with standard nozzles unless otherwise specified.
- These results has been obtained at indoor laboratory with 0m/sec wind velocity. Outdoor results may change range distance.

VYRSA SPRINKLERS

# VYRSA 46



**MANUFACTURED IN SPAIN**  
**INCREASED ENERGY EFFICIENCY**  
**HIGH COEFFICIENTS UNIFORMITY**  
**WATER SAVING**

3/4" (20mm)

**FULL CIRCLE - SPACING 12m - 18m**



### GENERAL PROPERTIES:

- Medium flow and low angle agricultural impact sprinkler "WIND FIGHTER".
- 3/4" male connection.
- Made of plastic, brass and stainless steel.
- High-resistance rotating joints.
- Specially designed for greater reach on Pivots, windy areas or under-tree irrigation.

### TECHNICAL SPECIFICATIONS:

- Range distance: **11.5 - 15.5 m.**
- Flow: 400 - 2400 L/H.
- Working pressure: 1.75 - 4.5 BAR.
- Area: **Full circle.**
- Nozzles: Two nozzles: one main nozzle and a secondary nozzle or plug.
- Trajectory angles: **7° and 7°**
- Maximum stream height: 1.2 m.
- Rotation time: Depending on the pressure and the nozzles, the rotation will be constant and continuous.

### DIMENSIONS

Height : 14 cm.  
 Width : 19 cm.  
 Weight : 190 g.  
 Units per box : 50

OPTION	CODE	PRICE
Without nozzle	VYR46	R 144.00
With one nylon nozzle and nylon plug	VYR46-1	R154.00
With two nylon nozzles	VYR46-2	R155.00
With one brass nozzle and nylon plug	VYR46-3	R169.47
With two brass nozzles	VYR46-4	R184.94
Loose nozzles (Brass)	NZ <b>Size?</b>	R20.47
Loose nozzles (Nylon)	PLNZ <b>Size?</b>	R5.00
Nylon plugs	PLUG-46	R5.00
Brass plugs	NZBRASS-46	R20.47

**(main and secondary nozzles are the same)**

**Horticultural plantations, cereals, tubers, leguminous plants and fruit trees.**



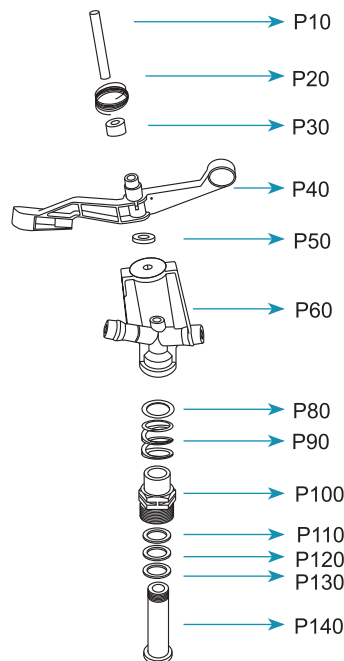
**MANUFACTURED IN SPAIN  
INCREASED ENERGY EFFICIENCY  
HIGH COEFFICIENTS UNIFORMITY  
WATER SAVING**



**VYRSA SPRINKLERS  
VYRSA 46**

**FULL CIRCLE - SPACING 12m - 18m**

**3/4" (20mm)**



CODE	PRICE
P10-46	R22.83
P20-46	R28.53
P30-46	R5.71
P40-46	R85.60
P50-46	R5.71
P60-46	R99.87
P80-46	R19.97
P90-46	R28.53
P100-36/46/56	R34.24
P110/130-35/36/46/56/70	R11.41
P120-35/36/46/56/70	R14.27
P140-36/46/56/66	R34.24

**PERFORMANCE NOZZLE TABLE**

**Long Range Nozzle (long vane) + plug**

NOZZLE	3,2 mm 1/8"R		3,6 mm 9/64"		4 mm 5/32"		4,4 mm 11/64"		4,8 mm 3/16"		5,2 mm 13/64"		5,6 mm 7/32"	
	L/H	Ø m	L/H	Ø m	L/H	Ø m	L/H	Ø m	L/H	Ø m	L/H	Ø m	L/H	Ø m
1	400	23	510	23										
1,5	500	25	620	25										
2	560	26	710	26,5										
2,5	630	26,5	780	27,5	950	23	1140	23	1360	24	1610	24,5	1880	25
3	680	27,5	850	28	1050	24,5	1300	25	1530	25,5	1800	26	2090	27,5
3,5	720	28	920	28,5	1140	26	1360	26	1650	26,5	1940	27	2250	28
4					1200	25	1470	27	1750	27,5	2050	28	2400	28,5

(Sprinkler at 1 meter height)

Not recommended for best distribution Indicates standard nozzle size

- When nozzles are ordered with sprinklers they will be supplied with standard nozzles unless otherwise specified.
- In order to calculate the flow, add the flows of the two nozzles.
- These results has been obtained at indoor laboratory with 0m/sec wind velocity. Outdoor results may change range distance.

VYRSA SPRINKLERS

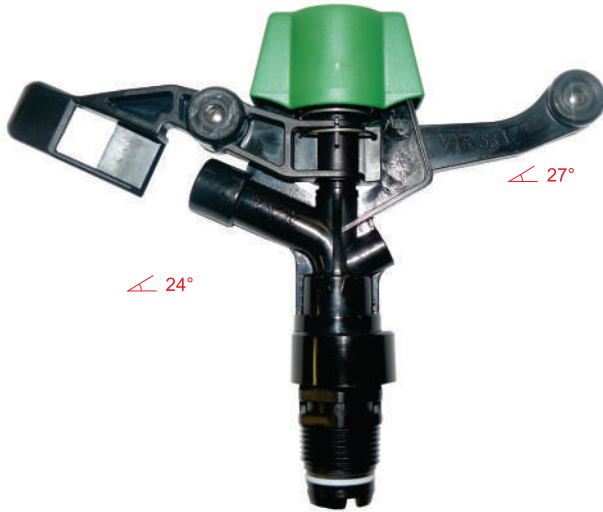
# VYRSA 56



**MANUFACTURED IN SPAIN**  
**INCREASED ENERGY EFFICIENCY**  
**HIGH COEFFICIENTS UNIFORMITY**  
**WATER SAVING**

3/4" (20mm)

**FULL CIRCLE - SPACING 12m - 24m**



### GENERAL PROPERTIES:

- Medium flow agricultural impact sprinkler.
- 3/4" male connection.
- Made of plastic and stainless steel.
- High-resistance rotating joints.
- Special design for long reach.
- Used in full coverage irrigation with medium-high flow.

### TECHNICAL SPECIFICATIONS:

- Range distance: **13 - 18 m.**
- Flow: 660 - 3270 L/H.
- Working pressure: 1,75 - 4,5 BAR.
- Area: **Full circle.**
- Nozzles: Two nozzles: one main nozzle and a secondary deflector nozzle or plug.
- Trajectory angles: **24° and 27°**
- Maximum stream height: 4,2 m.
- Rotation time: Depending on the pressure and the nozzles, the rotation will be constant and continuous.

### DIMENSIONS

Height : 14 cm.  
 Width : 19 cm.  
 Weight : 190 g.  
 Units per box : 100

OPTION	CODE	PRICE
Without nozzle	VYR56	R146.00
With one nylon nozzle and nylon plug	VYR56-1	R152.34
With two nylon nozzles	VYR56-2	R156.00
With one brass nozzle and nylon plug	VYR56-3	R167.81
With two brass nozzles	VYR56-4	R186.94
Loose nozzles (Brass)	NZ <u>Size?</u> Add "SP" for Spreader	R20.47
Loose nozzles (Nylon)	PLNZ <u>Size?</u> Add "SP" for Spreader	R5.00
Nylon plugs	PLUG	R1.34
Brass plugs	NZBRASS-35	R20.47

**Horticultural plantations, cereals, tubers, leguminous plants and fruit trees.**

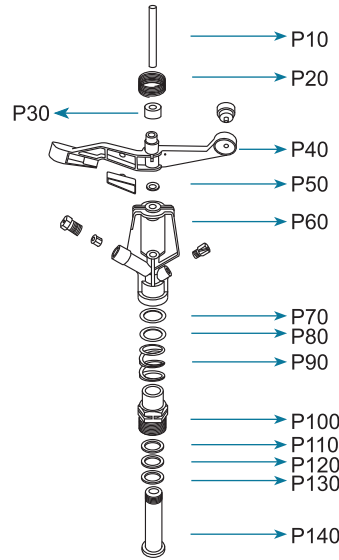
**MANUFACTURED IN SPAIN**  
**INCREASED ENERGY EFFICIENCY**  
**HIGH COEFFICIENTS UNIFORMITY**  
**WATER SAVING**



**VYRSA SPRINKLERS**  
**VYRSA 56**

**FULL CIRCLE - SPACING 12m - 24m**

**3/4" (20mm)**



CODE	PRICE
P10-35/56	R22.83
P20-35/36/56	R28.53
P30-56	R7.00
P40-56	R85.60
P50-56	R6.00
P60-56	R99.87
P70-35/56/70	R28.53
P80-35/56/70	R19.97
P90-36/56	R28.53
P100-36/46/56	R34.24
P110/130-35/36/46/56/70	R11.41
P120-35/36/46/56/70	R14.27
P140-36/46/56/66	R34.24

**TECHNICAL GUIDANCE TABLE**

NOZZLE	Spacing (m) / Precipit. rate (mm/h)						
	BAR	15x15 T	15x18 T	18x18	18x18 T	18x20	20x20
4,0mm x 2,4mm 5/32" x 3/32"	3	5,9	4,3	4,4	4,1	4	
	4	6,3	4,7	4,8	4,4	4,3	3,9
4,4mm x 2,4mm 11/64" x 3/32"	3	6,8	5	5,1	4,7	4,6	4,1
	4	7,3	5,4	5,5	5,1	4,9	4,4
4,8mm x 3,2mm 3/16" x 1/8SP"	3	9	6,6	6,7	6,2	6,1	5,5
	4	9,7	7,1	7,3	6,7	6,5	5,9
	4	10,3	7,6	7,8	7,2	7	6,3

T: Triang. CU < 85% CU 85-88% CU 88-92% CU > 92%

**PERFORMANCE NOZZLE TABLE**

**Long Range Nozzle (long vane) + plug**

NOZZLE	3,2 mm 1/8"R		3,6 mm 9/64"		4 mm 5/32"		4,4 mm 11/64"		4,8 mm 3/16"		5,2 mm 13/64"	
	BAR	L/H	Ø m	L/H	Ø m	L/H	Ø m	L/H	Ø m	L/H	Ø m	
2,5	620	26,8	790	28,4	970	30,2	1160	31	1390	31,8	1640	32,6
3	680	27,4	860	28,8	1050	30,6	1270	31,8	1510	32,8	1790	33,8
3,5	740	27,8	930	29,4	1140	31,2	1380	32,4	1640	33,6	1930	34,8
4	790	28,2	1000	29,8	1220	31,6	1470	32,8	1750	34	2060	35,6
4,5	840	28,6	1060	30,2	1290	32	1550	33,2	1860	34,4	2180	36

**Long Range Nozzle (long vane) + short range nozzle**

NOZZLE	3,2mm x 2,4mm 1/8"R x 3/32"		3,6mm x 2,4mm 9/64" x 3/32"		4mm x 2,4mm 5/32" x 3/32"		4,4mm x 2,4mm 11/64" x 3/32"		4,8mm x 2,4mm 3/16" x 3/32"		4,8mm x 3,2mm 3/16" x 1/8"SP		5,2mm x 3,2mm 13/64" x 1/8"SP	
	BAR	L/H	Ø m	L/H	Ø m	L/H	Ø m	L/H	Ø m	L/H	Ø m	L/H	Ø m	
2.5	980	26,5	1150	28,2	1320	30	1520	30,6	1730	30,6	2050	32,5	2310	32,4
3	1070	27	1250	28,6	1450	30,4	1670	31,6	1800	31,6	2240	33	2520	33,4
3.5	1160	27,4	1350	29	1560	30,8	1800	32	1915	32	2420	33,5	2720	34,2
4	1240	28	1450	29,4	1670	31,2	1920	32,4	2070	32,4	2590	34	2910	35
4.5	1320	28,4	1540	29,8	1770	31,8	2030	33	2165	33	2750	34,5	3070	35,4

(Sprinkler at 1 meter height)

Not recommended for best distribution Indicates standard nozzle size

- When nozzles are ordered with sprinklers they will be supplied with standard nozzles unless otherwise specified.
- These results has been obtained at indoor laboratory with 0m/sec wind velocity. Outdoor results may change range distance.

## VYRSA SPRINKLERS

# VYRSA 60



**MANUFACTURED IN SPAIN**  
**INCREASED ENERGY EFFICIENCY**  
**HIGH COEFFICIENTS UNIFORMITY**  
**WATER SAVING**

3/4" (20mm)

**PART CIRCLE - SPACING 12m - 18m**



### DIMENSIONS

Height : 16 cm.  
 Width : 18 cm.  
 Weight : 609 g.  
 Units per box : 25

### GENERAL PROPERTIES

- Part circle impact sprinkler, medium flow.
- 3/4" male connection.
- Made of brass and stainless steel.
- High-resistance rotating joints.
- Part circle mechanical system using clips that are very easy and quick to adjust.
- Used in full coverage irrigation with medium flow to cover the side and corner areas.

### TECHNICAL SPECIFICATIONS

- Reach: **12 - 19 m.**
- Flow: 800 - 3270 L/H.
- Working pressure: 1.75 - 5 BAR.
- Area: **Part or full circle.**
- Nozzles: One main long reach nozzle and a secondary short reach nozzle.
- Trajectory angles: **24° and 12°**
- Maximum stream height: 3.8 m.
- Rotation time: Depending on the pressure and the nozzles, the rotation will be constant and continuous.

OPTION	CODE	PRICE
Without nozzle	VYR60	R560.00
With one nylon nozzle and nylon plug	VYR60-1	R566.34
With two nylon nozzles	VYR60-2	R570.00
With one brass nozzle and nylon plug	VYR60-3	R581.81
With two brass nozzles	VYR60-4	R600.94
Loose nozzles (Brass)	NZ <u>Size?</u> Add "SP" for Spreader	R20.47
Loose nozzles (Nylon)	PLNZ <u>Size?</u> Add "SP" for Spreader	R5.00
Nylon plugs	PLUG	R1.34

**Horticultural plantations, cereals, tubers, leguminous plants and fruit trees.**

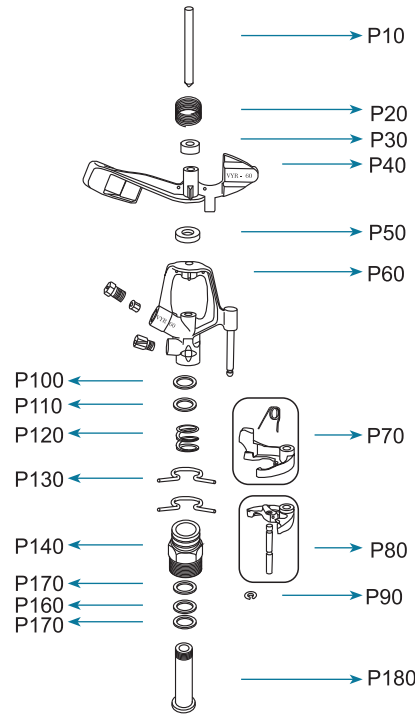
**MANUFACTURED IN SPAIN  
INCREASED ENERGY EFFICIENCY  
HIGH COEFFICIENTS UNIFORMITY  
WATER SAVING**



**VYRSA SPRINKLERS  
VYRSA 60**

**PART CIRCLE - SPACING 12m - 18m**

**3/4" (20mm)**



CODE	PRICE
P10-60	R28.53
P20-60	R28.53
P30-60	R7.00
P40-60	R188.33
P50-60	R6.00
P60-60	R262.52
P70-60	R85.60
P80-60	R108.43
P90-60	R2.85
P100-60	R19.97
P110-60	R19.97
P120-60	R31.39
P130-60	R22.83
P140-60	R165.50
P160-60	R14.27
P170-60	R11.41
P180-60	R148.38

**PERFORMANCE NOZZLE TABLE**

**Long Range Nozzle (long vane) + plug**

NOZZLE	3.2mm 1/8"R		3.6mm 9/64"		4mm 5/32"		4.4mm 11/64"		4.8mm 3/16"		5.2mm 13/64"		5.6mm 7/32"	
	L/H	Ø m	L/H	Ø m	L/H	Ø m	L/H	Ø m	L/H	Ø m	L/H	Ø m	L/H	Ø m
2.5	620	26	790	26.5	1970	27.5	1160	30	1390	32	1640	32.5	1720	34
3.0	680	26	860	26.5	1050	28	1270	30.5	1510	32	1790	33.5	1880	35
3.5	740	26.5	930	27	1140	29.5	1380	31.5	1640	33	1930	34.5	2140	36
4.0	790	26.5	1000	28	1220	29.5	1470	32.5	1750	34	2060	35.5	2240	37
4.5	840	27	1060	29	1290	30	1550	33.5	1860	35	2180	36	2410	38.5

**Long Range Nozzle (long vane) + short range nozzle**

NOZZLE	3.2mm x 2.4mm 1/8"R x 3/32"		3.6mm x 2.4mm 9/64" x 3/32"		4mm x 2.4mm 5/32" x 3/32"		4.4mm x 2.4mm 11/64" x 3/32"		4.8mm x 3.2mm 3/16" x 1/8"SP		5.2mm x 3.2mm 13/64" x 1/8"SP		5.6mm x 3.2mm 7/32" x 1/8"SP	
	L/H	Ø m	L/H	Ø m	L/H	Ø m	L/H	Ø m	L/H	Ø m	L/H	Ø m	L/H	Ø m
2.5	980	26	1150	26.5	1320	27.5	1520	30	2050	32	2310	32.5	2460	34
3.0	1070	26	1250	26.5	1450	28	1670	30.5	2240	32	2520	33.5	2730	35
3.5	1160	26.5	1350	27	1560	29.5	1800	31.5	2420	33	2720	34.5	2915	36
4.0	1240	26.5	1450	28	1670	29.5	1920	32.5	2590	34	2910	35.5	3035	37
4.5	1320	27	1540	29	1770	30	2030	33.5	2750	35	3070	36	3170	38.5

Not recommended for best distribution Indicates standard nozzle size

(Sprinkler at 1 meter height)

- When nozzles are ordered with sprinklers they will be supplied with standard nozzles unless otherwise specified.
- These results has been obtained at indoor laboratory with 0m/sec wind velocity. Outdoor results may change range distance.

VYRSA SPRINKLERS

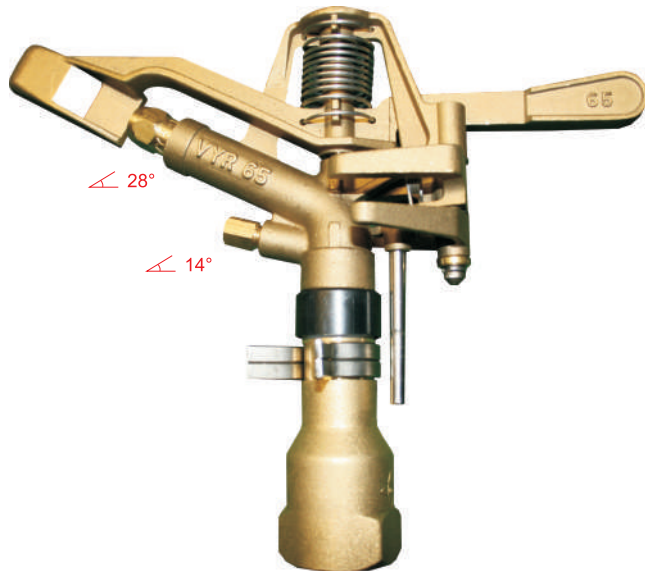
# VYRSA 65



**MANUFACTURED IN SPAIN**  
**INCREASED ENERGY EFFICIENCY**  
**HIGH COEFFICIENTS UNIFORMITY**  
**WATER SAVING**

1" (25mm)

**PART CIRCLE - SPACING UP TO 30m**



### DIMENSIONS

Height : 24 cm.  
 Width : 25 cm.  
 Weight : 1.42 kg  
 Units per box : 15

### GENERAL PROPERTIES:

- Part circle agricultural impact sprinkler, medium-high flow.
- 1" female connection.
- Made of brass and stainless steel.
- High-resistance rotating joints.
- Part circle mechanical system using clips that are very easy and quick to adjust.
- Used in full coverage irrigation with medium-high flow to cover the side and corner areas.
- Special mechanical and hydraulic design for energy saving and an optimal coverage coefficient.

### TECHNICAL SPECIFICATIONS:

- Reach: **16 - 24 m.**
- Flow: 2240 - 7840 L/H.
- Working pressure: 3.5 - 6 BAR.
- Area: **Part or full circle.**
- Nozzles: One main long reach nozzle and a secondary short reach nozzle.
- Trajectory angles: **28° and 14°**
- Maximum stream height: 6 m.
- Rotation time: Depending on the pressure and the nozzles, the rotation will be constant and continuous.

OPTION	CODE	PRICE
Without nozzle	VYR65	R1 694.00
With two brass nozzles	VYR65-4	R1 846.00
Loose nozzles (Brass)	NZ <small>Size?</small> - 86	R76.00
Loose nozzles (Nylon)	NZ 1/8 SP	R5.70

**Horticultural plantations, cereals, tubers, leguminous plants and fruit trees.**

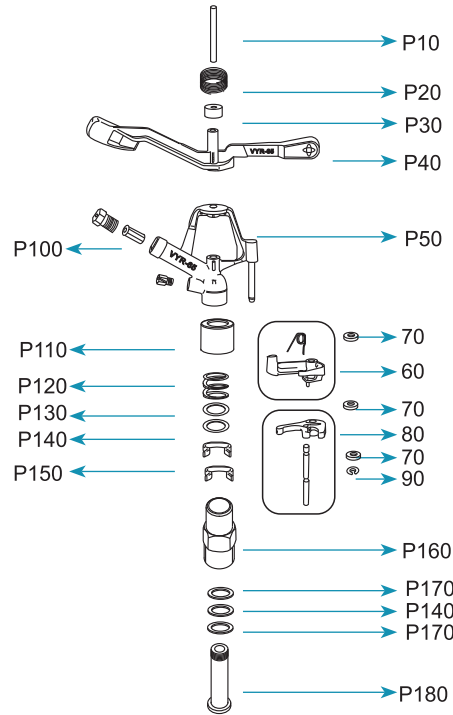
**MANUFACTURED IN SPAIN**  
**INCREASED ENERGY EFFICIENCY**  
**HIGH COEFFICIENTS UNIFORMITY**  
**WATER SAVING**



**VYRSA SPRINKLERS**  
**VYRSA 65**

**PART CIRCLE - SPACING UP TO 30m**

**1" (25mm)**



CODE	PRICE
P10-65	R39.95
P20-65	R31.39
P30-65	R11.41
P40-65	R396.63
P50-65	R662.00
P60-65	R108.43
P70-65	R3.00
P80-65	R136.96
P90-65	R3.00
P100-65	R22.83
P110-65	R48.51
P120-65	R45.65
P130-65	R48.51
P140-65	R34.24
P150-65	R34.24
P160-65	R362.39
P170-65	R45.65
P180-65	R313.88

**PERFORMANCE NOZZLE TABLE**

**Long Range Nozzle (long vane) + plug**

NOZZLE	5,6 mm 7/32"		6,4 mm 1/4"		7,2 mm 9/32"		8,0 mm 5/16"		8,8 mm 11/32"		9,6 mm 3/8"	
	L/H	Ø m	L/H	Ø m	L/H	Ø m	L/H	Ø m	L/H	Ø m	L/H	Ø m
3,5	2370	42	3070	43	3730	44	4490	46	5335	46	6170	46
4	2550	44	3300	44	4030	46	4850	48	5730	49	6650	49
4,5	2700	46	3515	46	4250	48	5150	50	6150	51	7020	52
5	2880	47	3690	48	4550	49	5450	52	6510	54	7470	55
5,5	3000	48	3900	50	4765	50	5700	54	6810	55	7835	57

**Long Range Nozzle (long vane) + short range nozzle**

NOZZLE	4,8mm x 3,2mm 3/16" x 1/8"SP		5,6mm x 3,2mm 7/32" x 1/8"SP		6,4mm x 3,2mm 1/4" x 1/8"SP		7,2mm x 3,2mm 9/32" x 1/8"SP		8,0mm x 3,2mm 5/16" x 1/8"SP		8,8mm x 3,2mm 11/32" x 1/8"SP	
	L/H	Ø m	L/H	Ø m	L/H	Ø m	L/H	Ø m	L/H	Ø m	L/H	Ø m
3,5	2500	40	3050	42	3720	43	4430	44	6010	46	6755	46
4	2735	41	3265	44	4045	44	4740	46	6400	48	7290	49
4,5	2870	42	3470	46	4260	46	5045	48	6840	50	7800	51
5	3030	43	3660	47	4500	48	5380	49	7260	52	8250	54
5,5	3175	44	3845	48	4740	50	5575	50	7650	54	8640	55

Not recommended for best distribution Indicates standard nozzle size

- When nozzles are ordered with sprinklers they will be supplied with standard nozzles unless otherwise specified.
- These results has been obtained at indoor laboratory with 0m/sec wind velocity. Outdoor results may change range distance.

VYRSA SPRINKLERS

# VYRSA 66



**MANUFACTURED IN SPAIN**  
**INCREASED ENERGY EFFICIENCY**  
**HIGH COEFFICIENTS UNIFORMITY**  
**WATER SAVING**

3/4" (20mm)

**PART CIRCLE - SPACING 12m - 18m**



### DIMENSIONS

Height : 16 cm.  
 Width : 18 cm.  
 Weight : 182 g.  
 Units per box : 50

### GENERAL PROPERTIES

- Part circle impact sprinkler, medium flow.
- 3/4" male connection.
- Made of plastic and stainless steel.
- Arm with 2 steel weights inserted.
- High-resistance rotating joints.
- Part circle mechanical system using clips that are very easy and quick to adjust.
- Used in full coverage irrigation with medium flow to cover the side and corner areas.
- Special mechanical and hydraulic design for energy saving and an optimal coverage coefficient.

### TECHNICAL SPECIFICATIONS:

- Reach: **12 - 19 m.**
- Flow: 800 - 3,270 L/H.
- Working pressure: 1.75 - 5 BAR.
- Area: **Part or full circle.**
- Nozzles: One main long reach nozzle and a secondary short reach nozzle.
- Trajectory angles: **30° and 11°**
- Maximum stream height: 4.0 m.
- Rotation time: Depending on the pressure and the nozzles, the rotation will be constant and continuous.

OPTION	CODE	PRICE
Without nozzle	VYR66	R233.00
With one nylon nozzle and nylon plug	VYR66-1	R239.34
With two nylon nozzles	VYR66-2	R243.00
With one brass nozzle and nylon plug	VYR66-3	R254.81
With two brass nozzles	VYR66-4	R273.94
Loose nozzles (Brass)	NZ <u>Size?</u> Add "SP" for Spreader	R20.47
Loose nozzles (Nylon)	PLNZ <u>Size?</u> Add "SP" for Spreader	R5.00
Nylon plugs	PLUG	R1.34

**Horticultural plantations, cereals, tubers, leguminous plants and fruit trees.**



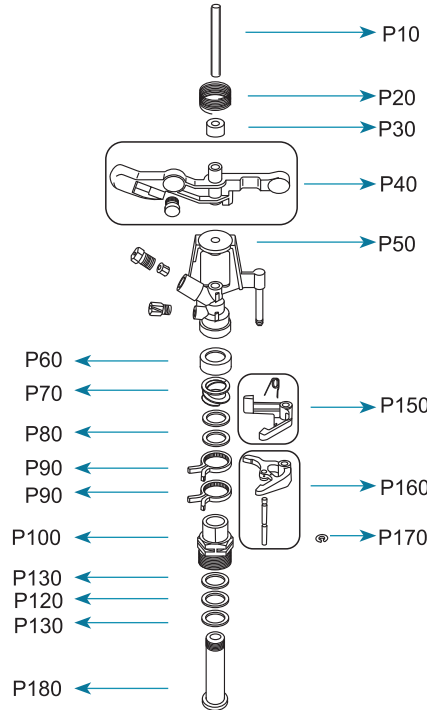
**MANUFACTURED IN SPAIN**  
**INCREASED ENERGY EFFICIENCY**  
**HIGH COEFFICIENTS UNIFORMITY**  
**WATER SAVING**



**VYRSA SPRINKLERS**  
**VYRSA 66**

**PART CIRCLE - SPACING 12m - 18m**

**3/4" (20mm)**



CODE	PRICE
P10-66	R22.83
P20-66	R28.53
P30-66	R7.00
P40-66	R85.60
P50-66	R97.02
P60-66	R7.00
P70-66	R22.83
P80-66	R14.27
P90-66	R11.41
P100-66	R28.53
P120-66	R14.27
P130-66	R11.41
P140-36/46/56/66	R34.24
P150-66	R62.78
P160-66	R74.19
P170-66	R2.85

**PERFORMANCE NOZZLE TABLE**

**Long Range Nozzle (long vane) + plug**

NOZZLE	3.2mm 1/8"R		3.6mm 9/64"		4mm 5/32"		4.4mm 11/64"		4.8mm 3/16"		5.2mm 13/64"		5.6mm 7/32"	
	BAR	L/H	Ø m	L/H	Ø m	L/H	Ø m	L/H	Ø m	L/H	Ø m	L/H	Ø m	
2.5	620	26	790	26.5	1970	27.5	1160	29	1390	31	1640	31.5	1720	33
3.0	680	26	860	26.5	1050	28	1270	29.5	1510	32	1790	32.5	1880	34
3.5	740	26.5	930	27	1140	29.5	1380	31	1640	33	1930	33.5	2140	35
4.0	790	26.5	1000	28	1220	29.5	1470	32	1750	33.5	2060	34.5	2240	36
4.5	840	27	1060	29	1290	30	1550	32.5	1860	34	2180	35	2410	36.5

**Long Range Nozzle (long vane) + short range nozzle**

NOZZLE	3.2mm x 2.4mm 1/8"R x 3/32"		3.6mm x 2.4mm 9/64" x 3/32"		4mm x 2.4mm 5/32" x 3/32"		4.4mm x 2.4mm 11/64" x 3/32"		4.8mm x 3.2mm 3/16" x 1/8"SP		5.2mm x 3.2mm 13/64" x 1/8"SP		5.6mm x 3.2mm 7/32" x 1/8"SP	
	BAR	L/H	Ø m	L/H	Ø m	L/H	Ø m	L/H	Ø m	L/H	Ø m	L/H	Ø m	
2.5	980	26	1150	26.5	1320	27.5	1520	29	2050	31	2310	31.5	2460	33
3	1070	26	1250	26.5	1450	28	1670	29.5	2240	32	2520	32.5	2730	34
3.5	1160	26.5	1350	27	1560	29.5	1800	31	2420	33	2720	33.5	2915	35
4	1240	26.5	1450	28	1670	29.5	1920	32	2590	33.5	2910	34.5	3035	36
4.5	1320	27	1540	29	1770	30	2030	32.5	2750	34	3070	35	3170	36.5

Not recommended for best distribution Indicates standard nozzle size

(Sprinkler at 1 meter height)

- When nozzles are ordered with sprinklers they will be supplied with standard nozzles unless otherwise specified.
- These results has been obtained at indoor laboratory with 0m/sec wind velocity. Outdoor results may change range distance.

## VYRSA SPRINKLERS

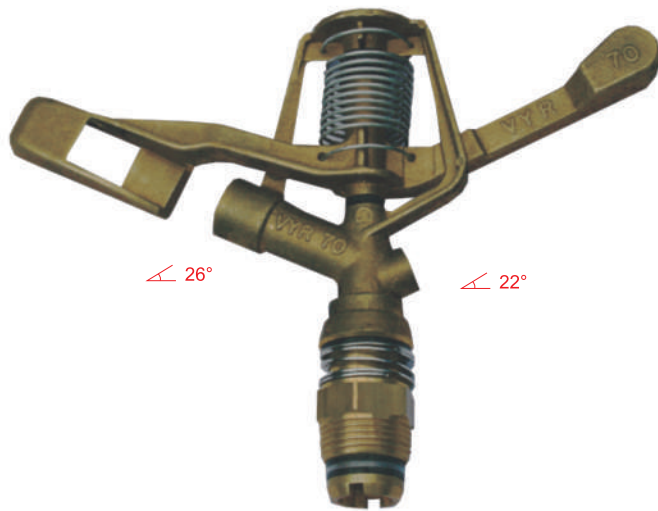
# VYRSA 70



**MANUFACTURED IN SPAIN**  
**INCREASED ENERGY EFFICIENCY**  
**HIGH COEFFICIENTS UNIFORMITY**  
**WATER SAVING**

3/4" (20mm)

**FULL CIRCLE - SPACING 12m - 24m**



### DIMENSIONS

Height : 15 cm.  
 Width : 20 cm.  
 Weight : 548 g.  
 Units per box : 50

### GENERAL PROPERTIES:

- Medium flow agricultural impact sprinkler.
- 3/4" male or female connection.
- Made of brass and stainless steel.
- High-resistance rotating joints.
- Nozzle angles of 26° and 22°
- Special design for long reach.
- Used in full coverage irrigation with medium-high flow.

### TECHNICAL SPECIFICATIONS:

- Range distance: **13 - 18 m.**
- Flow: 660 - 3500 L/H.
- Working pressure: 1,75 - 4,5 BAR.
- Area: **Full circle.**
- Nozzles: Two nozzles: one main nozzle and a secondary deflector nozzle or plug.
- Trajectory angles: **26° and 22°**
- Maximum stream height: 4.3 m.
- Rotation time: Depending on the pressure and the nozzles, the rotation will be constant and continuous.

OPTION	CODE	PRICE
Without nozzle	VYR70	R467.47
With one nylon nozzle and nylon plug	VYR70-1	R473.81
With two nylon nozzles	VYR70-2	R477.47
With one brass nozzle and nylon plug	VYR70-3	R489.28
With two brass nozzles	VYR70-4	R508.41
Loose nozzles (Brass)	NZ <u>Size?</u> Add "SP" for Spreader	R20.47
Loose nozzles (Nylon)	PLNZ <u>Size?</u> Add "SP" for Spreader	R5.00
Nylon plugs	PLUG	R1.34
Brass plugs	NZBRASS-35	R20.47

**Horticultural plantations, cereals, tubers, leguminous plants and fruit trees.**

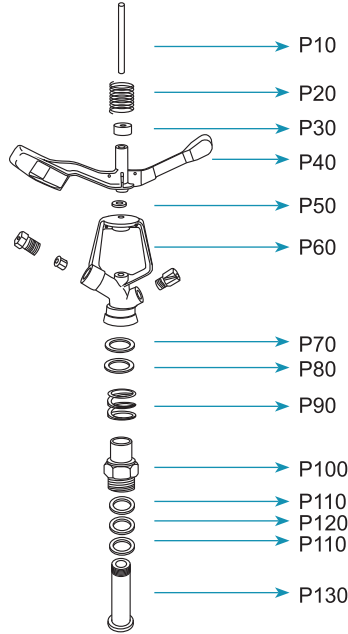
**MANUFACTURED IN SPAIN**  
**INCREASED ENERGY EFFICIENCY**  
**HIGH COEFFICIENTS UNIFORMITY**  
**WATER SAVING**



**VYRSA SPRINKLERS**  
**VYRSA 70**

**FULL CIRCLE - SPACING 12m - 24m**

**3/4" (20mm)**



CODE	PRICE
P10-70	R31.39
P20-70	R28.53
P30-70	R11.41
P40-70	R251.10
P50-70	R6.00
P60-70	R256.81
P70-35/56/70	R28.53
P80-35/56/70	R19.97
P90-35/70	R31.39
P100-35/70	R136.96
P110/130-35/36/46/56/70	R11.41
P120-35/36/46/56/70	R14.27
P130-35/70	R119.84

**TECHNICAL GUIDANCE TABLE**

NOZZLE	Spacing (m) / Precipit. rate (mm/h)						
	BAR	15x15 T	18x18 T	18x21	18x21T	21x21T	21x24
4,4 x 2,4 mm 11/64" x 3/32"SP	3	5,5	4,7	4,4	3,6	3,7	
	3,5	5,4	5,1	3,9	3,9	4	
4,8 x 3,2 mm 3/16" x 1/8"SP	4	5,8	5,4	4,2	4,2	4,3	
	3	6,6	6,2	4,8	4,8	4,9	
5,6 x 3,2 mm 7/32" x 1/8"SP	3,5	7,1	6,7	5,2	5,2	5,3	4,7
	4	10,4	7,2	5,6	5,6	5,7	5
	3	10,4	7,2	6	6	6,2	5,4
	3,5	11	8,4	6,5	6,5	6,7	5,8
	4	13,6	9	7	7	7,1	6,2

T: Triang. CU < 85% CU 85-88% CU 88-92% CU > 92%

**PERFORMANCE NOZZLE TABLE**

**Long Range Nozzle (long vane) + plug**

NOZZLE	4 mm 5/32"		4,4 mm 11/64"		4,8 mm 3/16"		5,2 mm 13/64"	
	BAR	L/H Ø m	L/H Ø m	L/H Ø m	L/H Ø m	L/H Ø m	L/H Ø m	
2,5	970	30,2	1160	31	1390	31,8	1640	32,6
3	1050	30,6	1270	31,8	1510	32,8	1790	33,8
3,5	1140	31,2	1380	32,4	1640	33,6	1930	34,8
4	1220	31,6	1470	32,8	1750	34	2060	35,6
4,5	1290	32	1550	33,2	1860	34,4	2180	36
5	1360	32,4	1640	33,6	1960	35	2290	36,4

**Long Range Nozzle (long vane) + short range nozzle**

NOZZLE	4mm x 2.4mm 5/32" x 3/32"		4.4mm x 2.4mm 11/64" x 3/32"		4.8mm x 2.4mm 3/16" x 7/64"		4.8mm x 3.2mm 3/16" x 1/8"SP		5.2mm x 3.2mm 13/64" x 1/8"SP		5.6mm x 3.2mm 7/32" x 1/8"SP	
	BAR	L/H Ø m	L/H Ø m	L/H Ø m	L/H Ø m	L/H Ø m	L/H Ø m	L/H Ø m	L/H Ø m	L/H Ø m	L/H Ø m	
2.5	1320	30	1520	30,6	1750	32,5	2050	32,5	2310	32,4	2460	33
3	1450	30,4	1670	31,6	1920	33	2240	33	2520	33,4	2730	34
3.5	1560	30,8	1800	32	2050	33,5	2420	33,5	2720	34,2	2915	35
4	1670	31,2	1920	32,4	2180	34	2590	34	2910	35	3035	36
4.5	1770	31,8	2030	33	2300	34,5	2750	34,5	3070	35,4	3170	36.5
5	1870	32,2	2140	33,4	2430	35	2880	35	3230	35,8	3300	37.5

(Sprinkler at 1 meter height)

Not recommended for best distribution Indicates standard nozzle size

- When nozzles are ordered with sprinklers they will be supplied with standard nozzles unless otherwise specified.
- These results has been obtained at indoor laboratory with 0m/sec wind velocity. Outdoor results may change range distance.

VYRSA SPRINKLERS

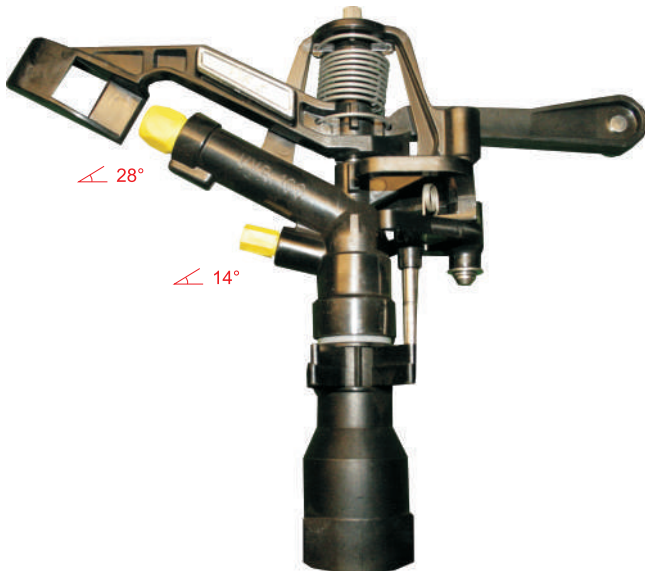
# VYRSA 166



**MANUFACTURED IN SPAIN**  
**INCREASED ENERGY EFFICIENCY**  
**HIGH COEFFICIENTS UNIFORMITY**  
**WATER SAVING**

1" (25mm)

**PART CIRCLE - SPACING UP TO 30m**



### DIMENSIONS

Height : 24 cm.  
Width : 25 cm.  
Weight : 430 g.  
Units per box : 15

### GENERAL PROPERTIES:

- Part circle agricultural impact sprinkler, medium-high flow.
- 1" female connection.
- Made of plastic and stainless steel.
- High-resistance rotating joints.
- Part circle mechanical system using clips that are very easy and quick to adjust.
- Used in full coverage irrigation with medium-high flow to cover the side and corner areas.

### TECHNICAL SPECIFICATIONS:

- Reach: **16 - 24 m.**
- Flow: 1300 - 5420 L/H.
- Working pressure: 3 - 5 BAR.
- Area: **Part or full circle.**
- Nozzles: One main long reach nozzle and a secondary short reach nozzle.
- Trajectory angles: **28° and 14°**
- Maximum stream height: 5.5 m.
- Rotation time: Depending on the pressure and the nozzles, the rotation will be constant and continuous.

OPTION	CODE	PRICE
Without nozzle	VYR166	R487.00
With two nylon nozzles	VYR166-2	R498.40
With two brass nozzles	VYR166-3	R639.00
Loose nozzles (Brass)	NZ <b>Size?</b> -86	R76.00
Brass spreader	NZ1/8SP	R76.00
Loose nozzles (Nylon)	PL86NZ <b>Size?</b>	R5.70
Nylon spreader	PLNZ1/8SP	R5.70

**Horticultural plantations, cereals, tubers, leguminous plants and fruit trees.**

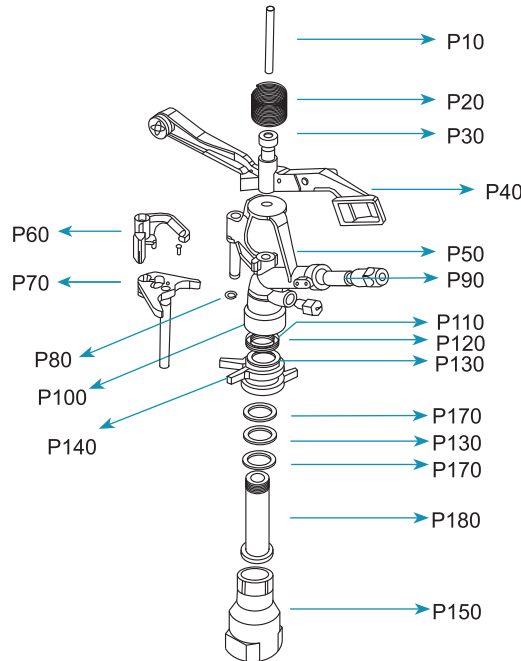
**MANUFACTURED IN SPAIN**  
**INCREASED ENERGY EFFICIENCY**  
**HIGH COEFFICIENTS UNIFORMITY**  
**WATER SAVING**



**VYRSA SPRINKLERS**  
**VYRSA 166**

**PART CIRCLE - SPACING UP TO 30m**

**1" (25mm)**



CODE	PRICE
P10-166	R39.95
P20-166	R71.34
P30-166	R11.41
P40-166	R148.38
P50-166	R108.43
P60-166	R88.46
P70-166	R88.46
P80-166	R3.00
P90-166	R22.83
P100-166	R48.51
P110-166	R45.65
P120-166	R48.51
P130-166	R34.24
P140-166	R14.27
P150-166	R82.75
P170-166	R45.65
P180-166	R65.63

**PERFORMANCE NOZZLE TABLE**

**Long Range Nozzle (long vane) + plug**

NOZZLE	5,6mm 7/32"		6,4mm 1/4"		7,2mm 9/32"		8,8mm 11/32"	
	L/H	Ø m	L/H	Ø m	L/H	Ø m	L/H	Ø m
3	1960	35	2590	36	3240	38	5048	40
3,5	2140	35,5	2700	37	3470	38,5	5452	42
4	2310	36	2800	38	3760	39	5829	44
4,5	2460	37	2980	38,5	3970	39,5	6182	46
5	2580	38	3130	39	4150	40	6517	48

**Long Range Nozzle (long vane) + short range nozzle**

NOZZLE	5,6mm x 3,2mm 7/32" x 1/8"SP		6,4mm x 3,2mm 1/4" x 1/8"SP		7,2mm x 3,2mm 9/32" x 1/8"SP		8,8mm x 3,2mm 11/32" x 1/8"SP	
	L/H	Ø m	L/H	Ø m	L/H	Ø m	L/H	Ø m
3	2550	35	3150	36	3790	38	4250	38,5
3,5	2710	35,5	3400	37	4130	38,5	4640	39
4	2930	36	3700	38	4420	39	5000	39,5
4,5	3140	37	3950	38,5	4670	39,5	5150	40
5	3320	38	4150	39	4910	40	5420	40,5

Not recommended for best distribution Indicates standard nozzle size

- When nozzles are ordered with sprinklers they will be supplied with standard nozzles unless otherwise specified.
- These results has been obtained at indoor laboratory with 0m/sec wind velocity. Outdoor results may change range distance.

VYRSA SPRINKLERS

# VYRSA 86



**MANUFACTURED IN SPAIN**  
**INCREASED ENERGY EFFICIENCY**  
**HIGH COEFFICIENTS UNIFORMITY**  
**WATER SAVING**

1" (25mm)

**FULL CIRCLE - SPACING UP TO 30m**



### GENERAL PROPERTIES:

- Agricultural impact sprinkler with medium-high flow.
- 1" female connection.
- Made of plastic and stainless steel.
- High-resistance rotating joints.
- Special design for long reach.
- Used in full coverage irrigation with medium-high flow.

### TECHNICAL SPECIFICATIONS:

- Range distance: **13,5 - 27 m.**
- Flow: 2000 - 9900 L/H.
- Working pressure: 2,75 - 6 BAR.
- Area: **Full circle.**
- Nozzles: Two nozzles: one main nozzle and a secondary deflector nozzle.
- Trajectory angles: **26° and 26°**
- Maximum stream height: 5 m.
- Rotation time: Depending on the pressure and the nozzles, the rotation will be constant and continuous.

### DIMENSIONS

Height : 20 cm.  
 Width : 22 cm.  
 Weight : 310 g.  
 Units per box : 25

OPTION	CODE	PRICE
Without nozzle	VYR86	R306.70
With one nylon nozzle and nylon plug	VYR86-1	R318.13
With two nylon nozzles	VYR86-2	R318.13
With one brass nozzle and nylon plug	VYR86-3	R388.43
With two brass nozzles	VYR86-4	R458.73
Loose nozzles (Brass)	NZ <b>Size?</b> -.86 Add "SP" for Spreader	R76.00
Loose nozzles (Nylon)	PL86NZ <b>Size?</b> Add "SP" for Spreader	R5.70
Nylon plugs	PL86NZPLUG	R5.70
Brass plugs	NZBRASS-86	R76.00

**Horticultural plantations, cereals, tubers, leguminous plants and fruit trees.**

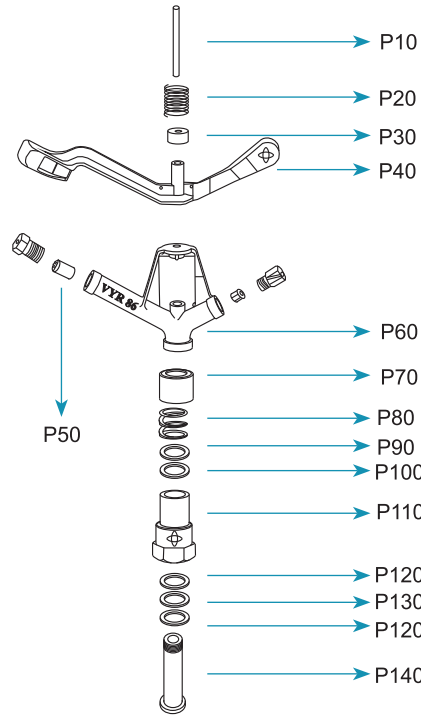
**MANUFACTURED IN SPAIN**  
**INCREASED ENERGY EFFICIENCY**  
**HIGH COEFFICIENTS UNIFORMITY**  
**WATER SAVING**



**VYRSA SPRINKLERS**  
**VYRSA 86**

**FULL CIRCLE - SPACING UP TO 30m**

**1" (25mm)**



CODE	PRICE
P10-86	R39.95
P20-86	R28.53
P30-86	R11.41
P40-86	R174.06
P50-86	R22.83
P60-86	R116.99
P70-86	R48.51
P80-86	R45.65
P90-86	R48.51
P100-86	R34.24
P110-86	R68.48
P120-86	R45.65
P130-86	R34.24
P140-86	R51.36

**TECHNICAL GUIDANCE TABLE**

NOZZLE	Spacing (m) / Precipit. rate (mm/h)						
	BAR	18x21	21x21 T	21x24 T	24x24 T	24x27	28x27
5,6mm x 4,4mm 7/32" x 11/64"SP	4	10,5	10,4	9,1	8	6,1	5,5
	4,5	11,2	11,1	9,7	8,5	6,5	5,8
	5	11,8	11,7	10,2	8,9	6,9	6,1
6,4mm x 4,8mm 1/4" x 3/16"SP	4	13,3	13,1	11,5	10,1	7,7	6,9
	4,5	14,1	13,9	12,2	10,7	8,2	7,3
	5	14,8	14,7	12,9	11,3	8,7	7,7
7,2mm x 4,8mm 9/32" x 3/16"SP	4	15,4	15,3	13,4	11,7	9	8
	4,5	16,4	16,2	14,2	12,4	9,5	8,5
	5	17,3	17,1	14,9	13,1	10,1	8,9

T: Triang. CU < 85% CU 85-88% CU 88-92% CU > 92%

**PERFORMANCE NOZZLE TABLE**

**Long Range Nozzle (long vane) + plug**

NOZZLE	5,6mm 7/32"		6,4mm 1/4"		7,2mm 9/32"		8,0mm 5/16"		8,8mm 11/32"		9,6mm 3/8"	
	BAR	L/H	Ø m	L/H	Ø m	L/H	Ø m	L/H	Ø m	L/H	Ø m	
3	2040	36	2671	37	3377	40	4265	40	5048	40	6003	42
3,5	2204	36	2885	38	3647	40	4499	41	5452	42	6484	42
4	2356	36	3084	40	3899	42	4809	42	5829	44	6931	44
4,5	2499	38	3271	42	4135	42	5101	44	6182	46	7352	46
5	2634	38	3448	42	4359	42	5377	44	6517	48	7750	48
5,5	2762	39	3616	43	4572	43	5640	45	6835	49	8128	49

**Long Range Nozzle (long vane) + short range nozzle**

NOZZLE	5,6mm x 4,4mm 7/32" x 11/64"SP		6,4mm x 4,4mm 1/4" x 11/64"SP		6,4mm x 4,8mm 1/4" x 3/16"SP		7,2mm x 4,8mm 9/32" x 3/16"SP		7,2mm x 5,6mm 9/32" x 7/32"SP		8,8mm x 5,6mm 11/32" x 7/32"SP	
	BAR	L/H	Ø m	L/H	Ø m	L/H	Ø m	L/H	Ø m	L/H	Ø m	
3	3450	36	4081	37	4349	37	5055	40	5621	40	7292	40
3,5	3727	36	4408	38	4697	38	5459	40	6071	40	7876	42
4	3985	36	4713	40	5022	40	5837	42	6490	42	8420	44
4,5	4226	38	4998	42	5326	42	6190	42	6883	42	8930	46
5	4454	38	5268	42	5615	42	6526	42	7256	42	9414	48
5,5	4671	39	5525	43	5888	43	6844	43	7610	43	9873	49

Not recommended for best distribution Indicates standard nozzle size

- When nozzles are ordered with sprinklers they will be supplied with standard nozzles unless otherwise specified.
- These results has been obtained at indoor laboratory with 0m/sec wind velocity. Outdoor results may change range distance.

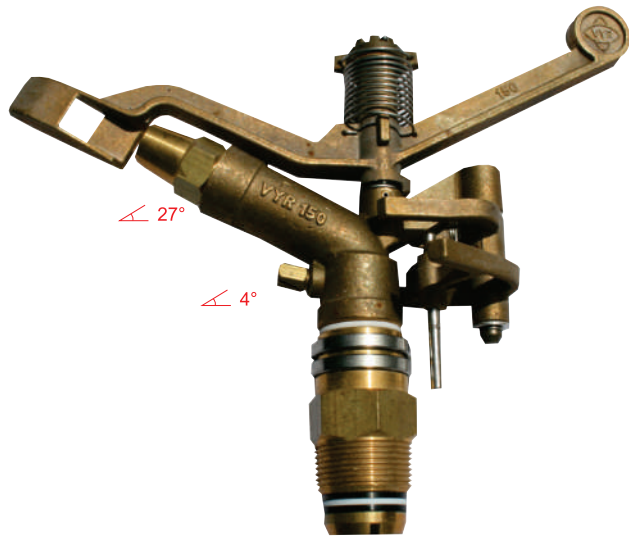
**VYRSA SPRINKLERS**  
**VYRSA 150**



**MANUFACTURED IN SPAIN**  
**INCREASED ENERGY EFFICIENCY**  
**HIGH COEFFICIENTS UNIFORMITY**  
**WATER SAVING**

1 1/4" (32mm)

**PART CIRCLE**



**"Standard nozzle sizes is 13mm and NZ1/8SP (3.2mm)".**

**DIMENSIONS**

Height : 30 cm.  
Width : 36 cm.  
Weight : 2430 gr.  
Units per box : 5

**GENERAL PROPERTIES:**

- Part circle agricultural impact sprinkler, high flow.
- 1 1/4" male connection.
- Made of brass and stainless steel.
- High-resistance rotating joints.
- Part circle mechanical system using clips that are very easy and quick to adjust.
- Used in full coverage irrigation with high flow to cover the side, corner and pivot point areas.
- Adjustable spring tension.

**TECHNICAL SPECIFICATIONS:**

- Reach: **25 - 37 m.**
- Flow: 6200 - 28000 L/H.
- Working pressure: 4 - 7 BAR.
- Area: **Part or full circle.**
- Nozzles: One main long reach nozzle and a secondary short reach nozzle.
- Trajectory angles: **27° and 4°**
- Maximum stream height: 5,5 m.
- Rotation time: Depending on the pressure and the nozzles, the rotation will be constant and continuous.

OPTION	CODE	PRICE
With two brass nozzles	VYR150	R3 223.64
Loose range nozzles (Brass)	NZ <small>Size?</small> .....MM(150)	R196.32
Loose spreader nozzles (Brass)	NZ1/8SP	R20.47

**Horticultural plantations, cereals, tubers, leguminous plants and fruit trees.**



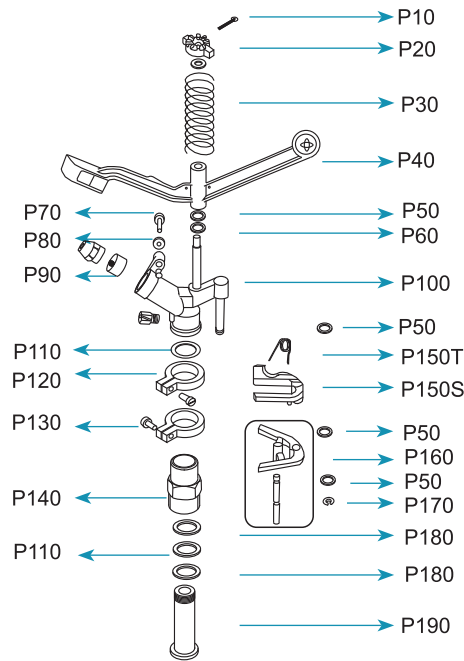
**MANUFACTURED IN SPAIN  
INCREASED ENERGY EFFICIENCY  
HIGH COEFFICIENTS UNIFORMITY  
WATER SAVING**



**VYRSA SPRINKLERS  
VYRSA 150**

**PART CIRCLE**

**1 1/4" (32mm)**



CODE	PRICE
P10-150/155	R31.39
P20-150/155	R519.32
P30-150/155	R74.19
P40-150	R1 281.19
P50-150/155	R11.41
P60-150/155	R19.97
P70-150	R22.83
P80-150	R22.83
P90-150	R22.83
P100-150	R1 906.09
P110-150	R39.95
P120-150	R68.48
P130-150	R562.13
P140-150	R325.29
P150T-150	R18.26
P150S-150	R224.28
P160-150	R353.82
P170-150	R33.00
P180-150	R48.51
P190-150	R519.32

**PERFORMANCE NOZZLE TABLE**

**Long Range Nozzle (long vane) + short range nozzle**

NOZZLE	9mm x 3,2mm		10mm x 3,2mm		11mm x 3,2mm		13mm x 3,2mm		14,5mm x 3,2mm		16mm x 3,2mm	
	11/32" x 1/8"SP		13/32" x 1/8"SP		7/16" x 1/8"SP		1/2" x 1/8"SP		9/16" x 1/8"SP		5/8" x 1/8"SP	
BAR	L/H	Ø m	L/H	Ø m	L/H	Ø m	L/H	Ø m	L/H	Ø m	L/H	Ø m
4	6200	50	7700	52	9400	54	14300	58	16300	60	20200	62
5	7000	52	8600	54	10600	56	16200	62	18300	64	23200	66
6	7800	54	9500	56	11700	58	18200	68	20000	69	25800	72
7	8500	56	10300	58	12600	60	19500	72	21500	73	28000	74

Not recommended for best distribution Indicates standard nozzle size

- Standard nozzles will be supplied with sprinklers . Please specify when different nozzles are required which will be additionally supplied.  
- These results has been obtained at indoor laboratory with 0m/sec wind velocity. Outdoor results may change range distance.

## VYRSA SPRINKLERS

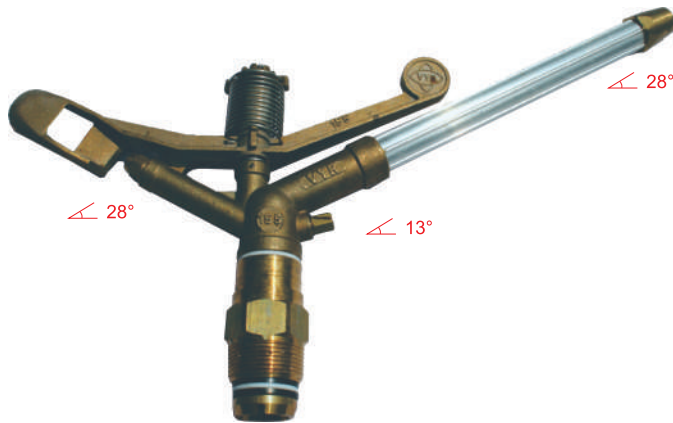
# VYRSA 155



**MANUFACTURED IN SPAIN**  
**INCREASED ENERGY EFFICIENCY**  
**HIGH COEFFICIENTS UNIFORMITY**  
**WATER SAVING**

1 1/4" (32mm)

**FULL CIRCLE**



**"Standard nozzle sizes is 13mm, NZ1/4 6,3 and NZ1/8SP (3.2mm)".**

### DIMENSIONS

Height : 30 cm.  
 Width : 48 cm.  
 Weight : 1.672 Kg.  
 Units per box : 10

### GENERAL PROPERTIES

- Agricultural impact sprinkler with medium-high flow.
- 1 1/4" male connection.
- Made of brass and stainless steel.
- High-resistance rotating joints.
- Special design for long reach.
- Used in full coverage irrigation with medium-high flow.
- Mechanical system for adjusting the spring tension to vary the rotation speed depending on the pressure used.

### TECHNICAL SPECIFICATIONS

- Range distance: **26 - 35 m**.
- Flow: 8.500 - 22.300 L/H.
- Working pressure: 4 - 8 BAR.
- Area: **Full circle**.
- Nozzles: A main nozzle for long reach, a second nozzle for medium reach and a third nozzle for short reach.
- Trajectory angles: **28°, 28° and 13°**
- Maximum stream height: 5,8 m.
- Rotation time: Adjustable. Depending on the pressure and the nozzles, the rotation will be constant and continuous.

OPTION	CODE	PRICE
With three brass nozzles	VYR155	R1 975.60
Loose range nozzles (Brass)	NZ <b>Size?</b> .MM	R128.53
Loose secondary nozzles (Brass)	NZ1/4-86	R76.00
Loose spreader nozzles (Brass)	NZ1/8SP	R20.47

**Used in all types of agricultural irrigations, generally with medium-high flow for coverage of wide areas.**

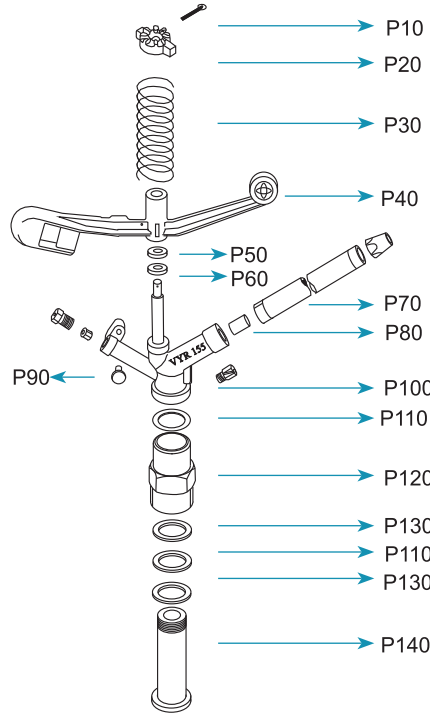
**MANUFACTURED IN SPAIN**  
**INCREASED ENERGY EFFICIENCY**  
**HIGH COEFFICIENTS UNIFORMITY**  
**WATER SAVING**



**VYRSA SPRINKLERS**  
**VYRSA 155**

**FULL CIRCLE**

**1 1/4" (32mm)**



CODE	PRICE
P10-150/155	R31.39
P20-150/155	R519.32
P30-150/155	R74.19
P40-155	R810.37
P50-150/155	R11.41
P60-150/155	R19.97
P70-155	R253.95
P80-155	R31.39
P90-155	R31.39
P100-155	R1 038.65
P110-155	R39.95
P120-155	R562.13
P130-155	R45.65
P140-155	R519.32

**TECHNICAL GUIDANCE TABLE**

NOZZLE	Spacing (m) / Precipit. rate (mm/h)						
	BAR	24x24	24x24 T	26x26	26x26 T	28x28	28x28 T
8mm x 6,3mm x 3,2 mm 5/16" x 1/4" x 1/8"SP	4	10,3	9,6	6,9	6		
	5	12,7	11,4	9,6	8,5		
	6	14,9	13,5	11,4	10,2		
10mm x 6,3mm x 3,2 mm 13/32" x 1/4" x 1/8"SP	4	16,7	15,3	13,1	11,9	11,2	10,3
	5	19,8	18,3	16,2	14,8	14,7	13,6
	6	22,7	26	19,4	17,4	16,9	15,5
12mm x 6,3mm x 3,2 mm 15/32" x 1/4" x 1/8"SP	4	25,5	23,5	22,1	19,7	19,7	17,8
	5	27,8	25,8	24,1	21,6	20,3	18
	6	31,9	28,9	27,9	25,4	24,4	22
14,5mm x 6,3mm x 3,2 mm 9/16" x 1/4" x 1/8"SP	4	32,6	30,4	28,6	26,1	24,9	22,3
	5	32,9	30,7	29,4	27	25	23,5
	6	35,1	32,9	31,8	27,6	26,2	24
	7	38,4	36	34,9	31,5	30,4	28,3
	7	41	38,1	37,5	34,2	33,1	30,9

T: Triang. CU < 85% CU 85-88% CU 88-92% CU > 92%

**PERFORMANCE NOZZLE TABLE**

**Long Range Nozzle (long vane) + short range nozzle**

NOZZLE	8mm x 6,3mm x 3,2mm 5/16" x 1/4" x 1/8"SP		9mm x 6,3 x 3,2mm 11/32" x 1/4" x 1/8"SP		10mm x 6,3mm x 3,2mm 13/32" x 1/4" x 1/8"SP		11mm x 6,3mm x 3,2mm 7/16" x 1/4" x 1/8"SP		12mm x 6,3mm x 3,2 mm 15/32" x 1/4" x 1/8"SP		13mm x 6,3mm x 3,2mm 1/2" x 1/4" x 1/8"SP		14mm x 6,3mm x 3,2mm 9/16" x 1/4" x 1/8"SP	
	BAR	L/H	Ø m	L/H	Ø m	L/H	Ø m	L/H	Ø m	L/H	Ø m	L/H	Ø m	L/H
4	8500	51	9600	52	11000	53	12000	56	13200	57	15000	59	17000	63
5	9500	53	10800	54	12300	55	13400	58	14900	60	17000	62	19100	65
6	10400	54	11700	55	13500	58	14700	61	16500	62	18800	64	20800	67
7	11200	56	12800	57	14600	60	16000	63	18000	64	20300	66	22300	69

Not recommended for best distribution Indicates standard nozzle size

- Standard nozzles will be supplied with sprinklers . Please specify when different nozzles are required which will be additionally supplied.  
 - These results has been obtained at indoor laboratory with 0m/sec wind velocity. Outdoor results may change range distance.

**Agricultural rotor sprinkler for low pressure & low flow irrigation with a 3/4" male connection.**



Edge Guard

**DIMENSIONS**

Height : 9.5 cm.  
 Width : 6.5 cm.  
 Weight : 75g.  
 Units per box : 50

**GENERAL PROPERTIES**

- Agricultural rotor sprinkler for low pressure/flow irrigation with silicone engine technology.
- Patented 2-speed motor selector.
- 3/4" male connection.
- Made of super-resistant plastic with UV treatments.
- Rotating joints of high strength.
- Angles of nozzles are 25° and 15° degrees.
- Special design for coverage irrigation at low pressures.
- Secondary plate deflector hole can be opened or plugged.

**TECHNICAL SPECIFICATIONS**

- Range: 8 to 12 m.
- Flow rate: 480 - 1500 L /H.
- Pressure: 2.0 to 3.0 BAR.
- Sector: Circular or 180° degrees with the deflector.
- Nozzles: A nozzle plate with one or two outputs.
- Trajectory angles: 25° and 15°
- Maximum height jet of 2.3 m.
- Rotation time: Depending on the pressure and nozzles is uniform and continuous.



ITEM	CODE	PRICE
<b>Complete Sprinkler</b>	VYR4000 <small>Full product code on next page</small>	R244.00
<b>Edge Guard</b>	VYR4000-EDGE	R65.00

**MANUFACTURED IN SPAIN  
INCREASED ENERGY EFFICIENCY  
HIGH COEFFICIENTS UNIFORMITY  
WATER SAVING**




**VYRSA SPRINKLERS  
VYR-4000 ROTEC**

**TECHNICAL GUIDANCE TABLE**

NOZZLE	Spacing (m) / Precipit. rate (mm/h)						
	BAR	10x12T	12x12	12x12T	12x15	12x15T	15x15T
3,6 mm 9/64"	2	4,6	3,3	3,8	2,7	3,1	2,5
	2,5	5,1	3,7	4,2	2,9	3,4	2,7
	3	5,5	4	4,6	3,2	3,7	2,9
4,0 mm 5/32"	2	6,7	4,8	5,6	3,9	4,5	3,6
	2,5	7,3	5,3	6,1	4,2	4,9	3,9
	3	7,8	5,6	6,5	4,5	5,2	4,2
4,4 mm 11/64"	2	9,4	6,8	7,8	5,4	6,3	5
	2,5	10,2	7,4	8,5	5,9	6,8	5,5
	3	10,8	7,8	9	6,2	7,2	5,8
4,8 mm 3/16"	2	11,5	8,3	9,6	6,7	7,7	6,2
	2,5	12,5	9	10,4	7,2	8,4	6,7
	3	14,4	10,4	12	8,3	9,6	7,7

**PERFORMANCE NOZZLE TABLE**

CODE	VYR4000-GREY		VYR4000-PINK		VYR4000-GREEN		VYR4000-BROWN	
MOTOR	1,8 - 3 BAR down		3 - 4,5 up		1,8 - 3 BAR down		3 - 4,5 up	
PLATE	 25° / 5mm		 25° / 5mm		 25° -15° / 5x2,8mm		 27°-15°/ 5 x 3,1mm	
NOZZLE	 3,6mm 9/64"		 4,0mm 5/32"		 4,4mm 11/64"		 4,8mm 3/16"	
BAR	L / H	Ø m	L / H	Ø m	L / H	Ø m	L / H	Ø m
2	528	22	696	22	978	22	1200	22
2,5	560	22	756	22	1062	22	1308	22
3	650	22	810	22	1122	22	1500	22

 Not recommended for best distribution



**Sprinkler will be supplied with Standard Nozzles as per above specifications.**



# IR-JUNIOR SPRINKLERS



**IR – JUNIOR (NOT VYRSA)**

**PART CIRCLE**

**3.6mm NOZZLE - YELLOW ARM**

**4.0mm NOZZLE - GREEN ARM**



CODE	SIZE	PRICE
IR-JUNIOR (Y)	3.6mm Nozzle	R106.00
IR-JUNIOR (G)	4.0mm Nozzle	R106.00

Pressure in BAR	NOZZLE SIZE mm			
	3.60		4.00	
	Lit/hr	Ømts	Lit/hr	Ømts
2.00	684.00	22.90	828.00	23.50
2.50	792.00	23.40	936.00	24.00
3.00	864.00	23.80	1044.00	24.50
3.50	900.00	24.30	1152.00	25.00

